

GBC - Cradle Tipper



BY: STORK

REV: 1.1

GBC Module - Cradle Tipper

Copyright © 2018 by Staffan "Stork" Ihl
Created with Studio 2.0
staffan(AT)brickselectric.se
Thanks to Emil Käll for test building.

Revised to v1.1 October 2019 (Higher in-basket railing, cleaner looking instructions).

Module is designed to run at full speed of regulator or battery pack.

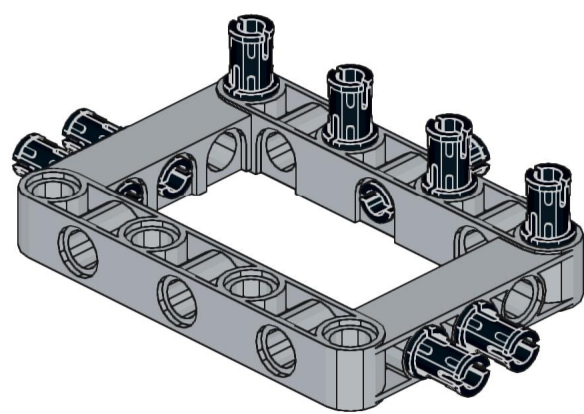
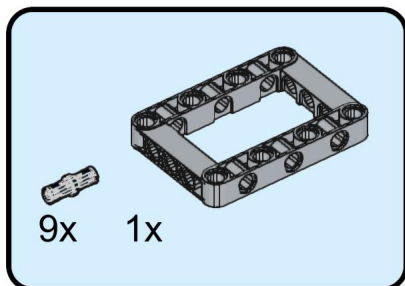
For more instructions and other GBC related information please visit Planet GBC:

<http://www.planet-gbc.com/>

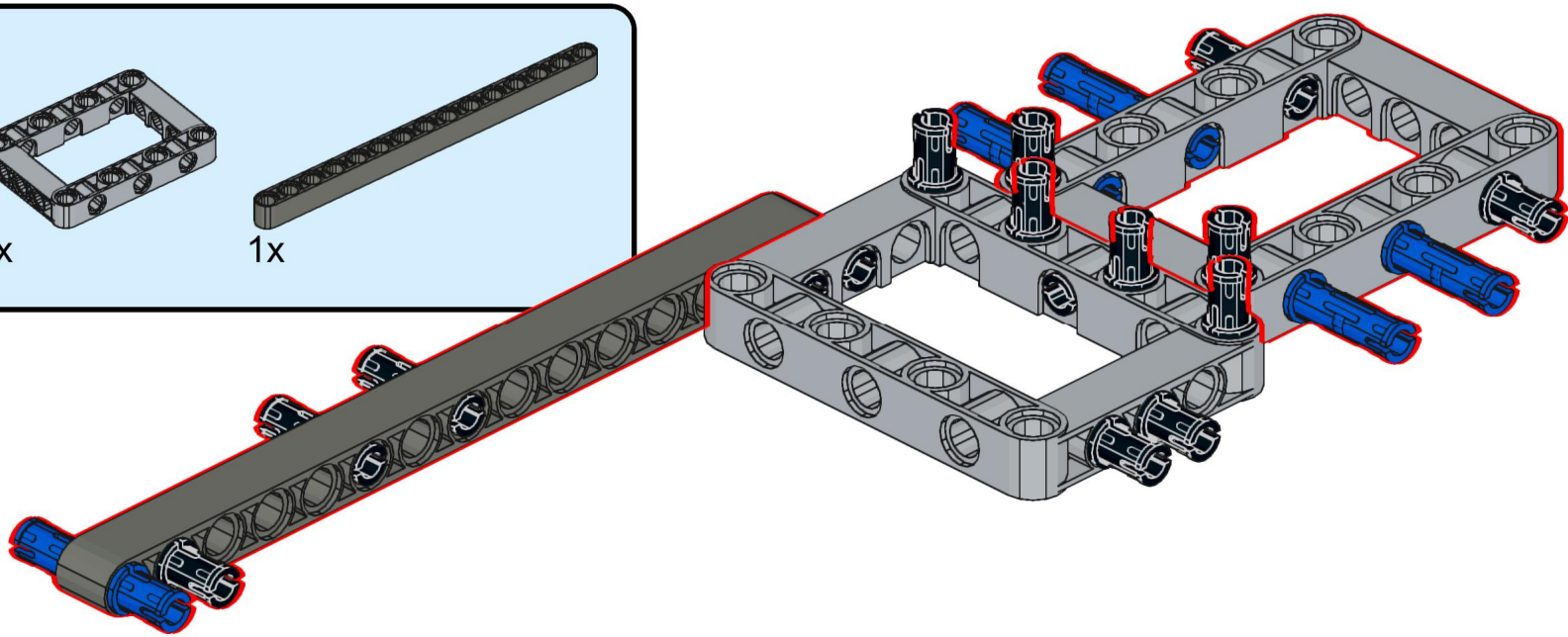
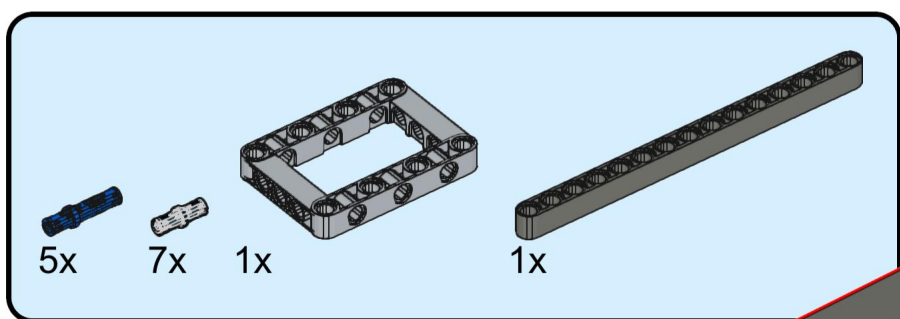
These instructions are for personal and non-profit use only.
Instructions may not be sold or used for any commercial purposes.

LEGO ® is a registered trademark of The Lego Group which does not sponsor, endorse or authorize these instructions or the model they depict.

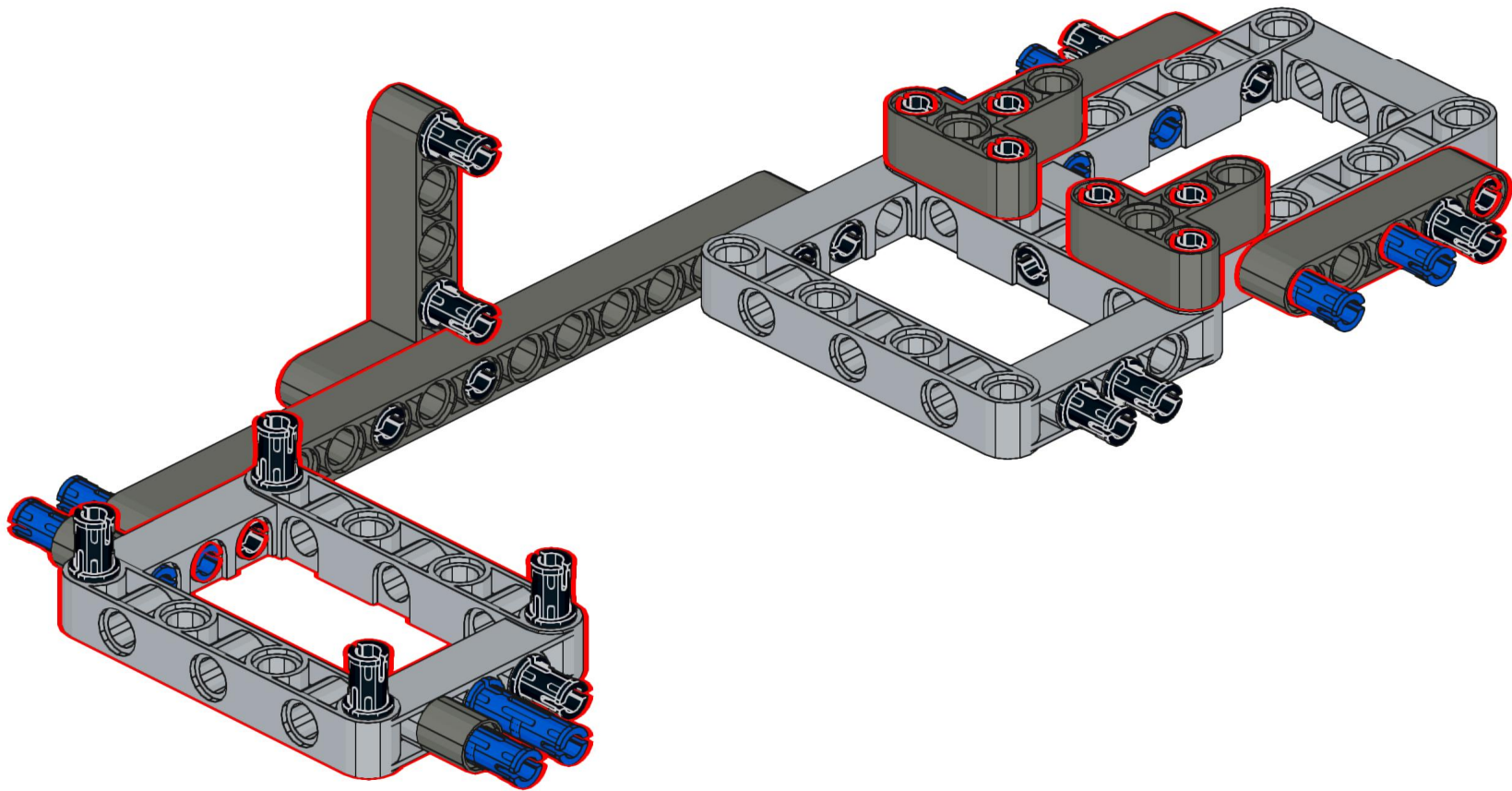
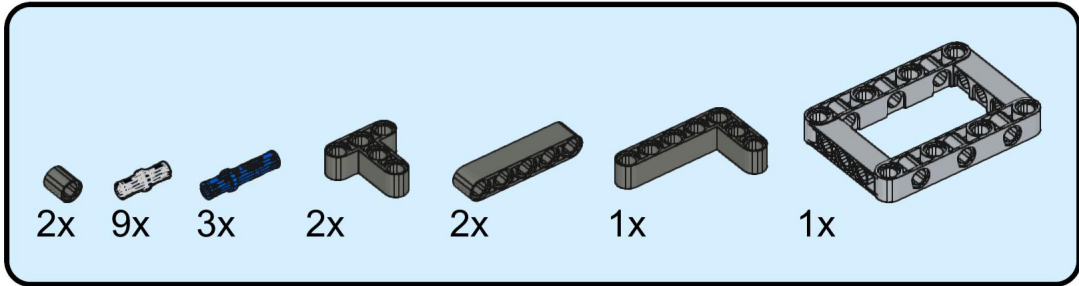
1



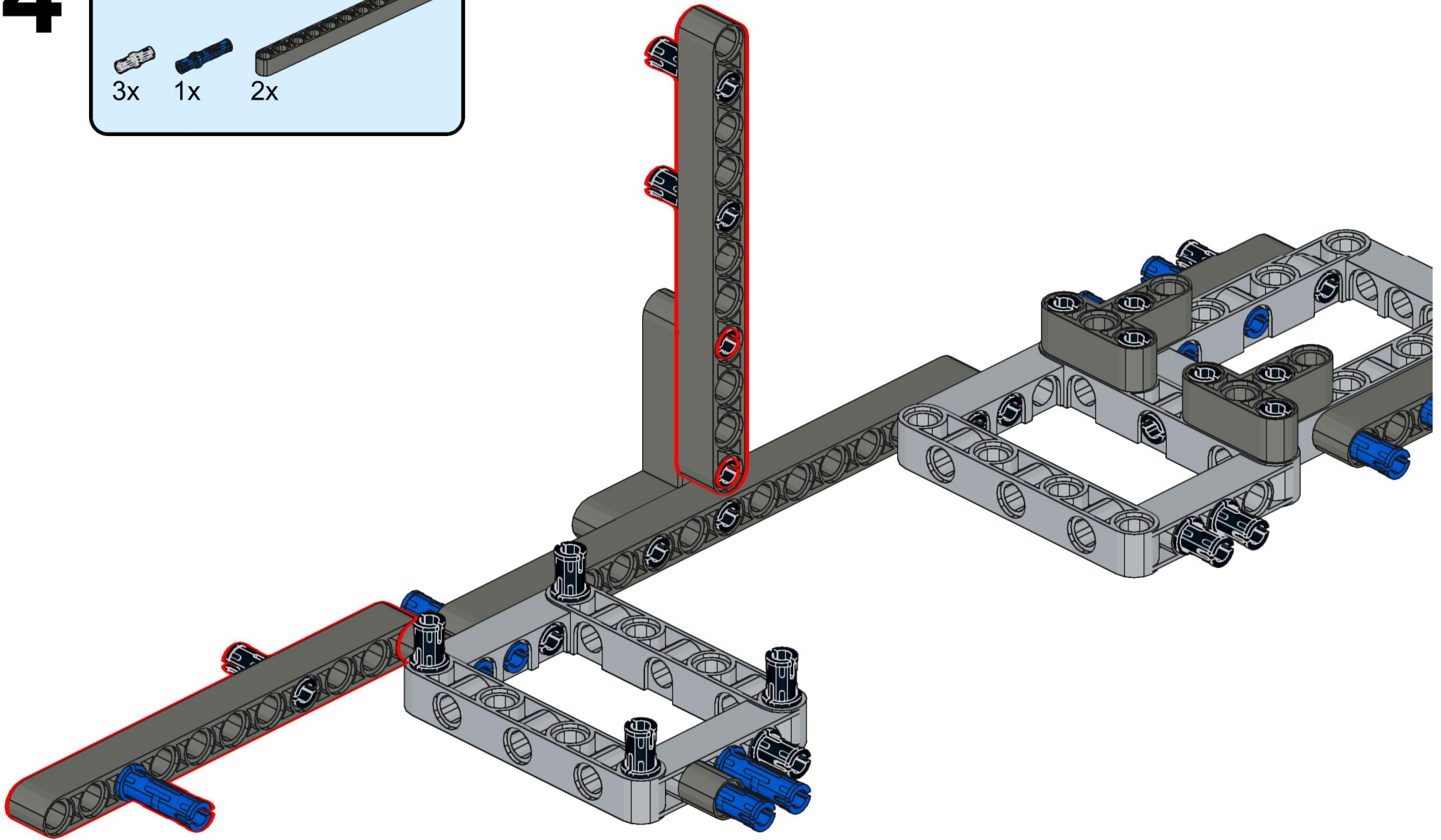
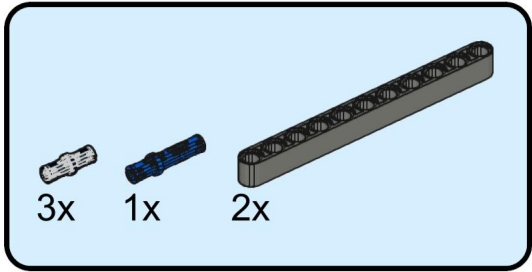
2



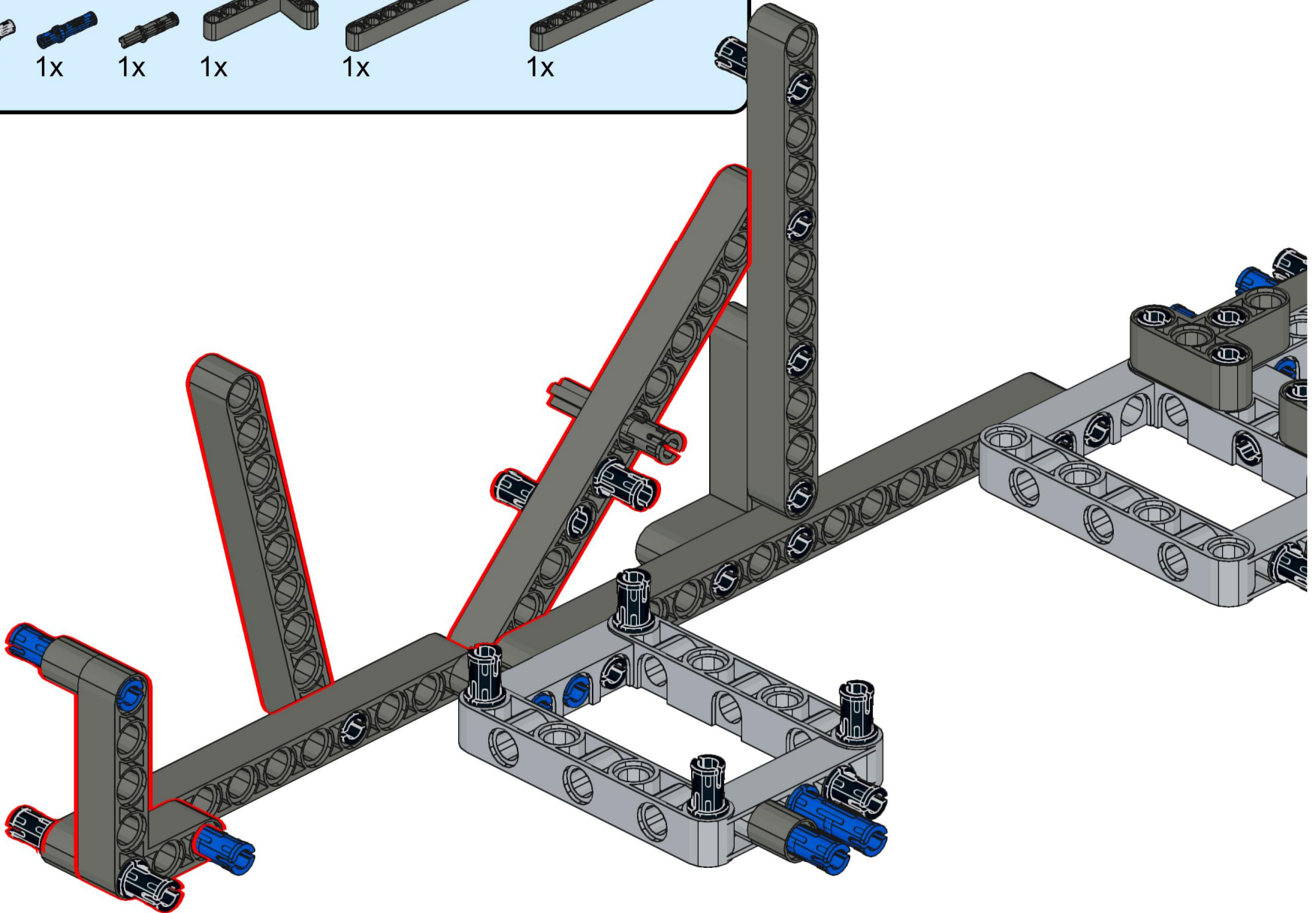
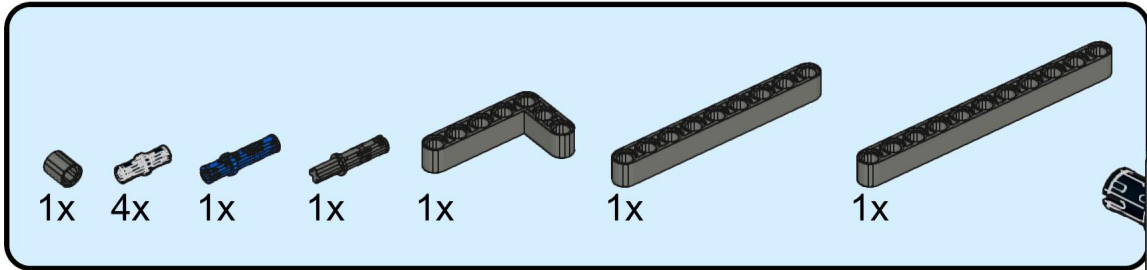
3



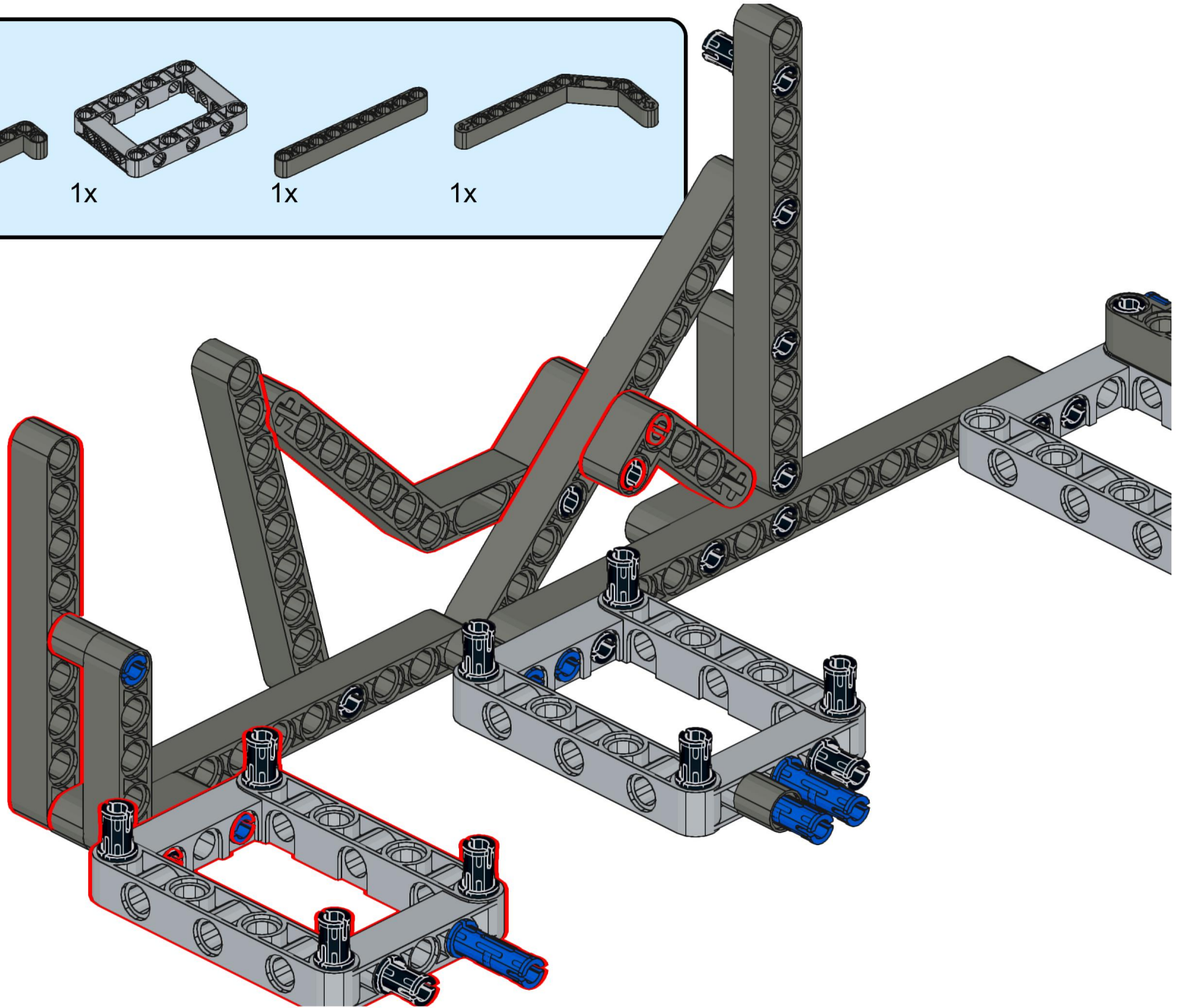
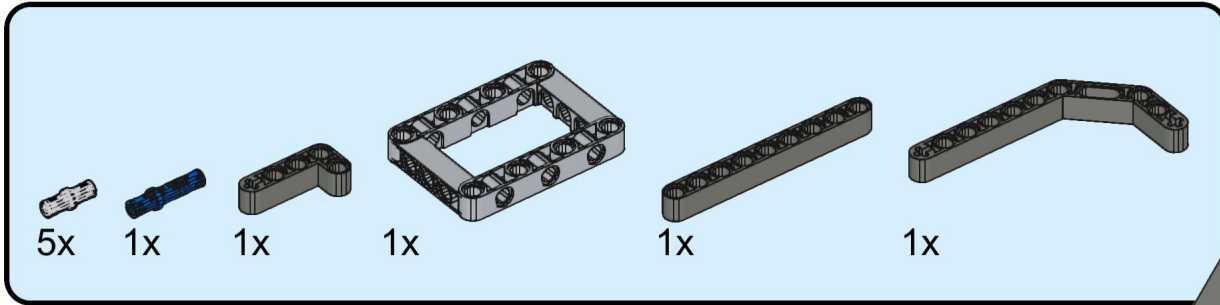
4



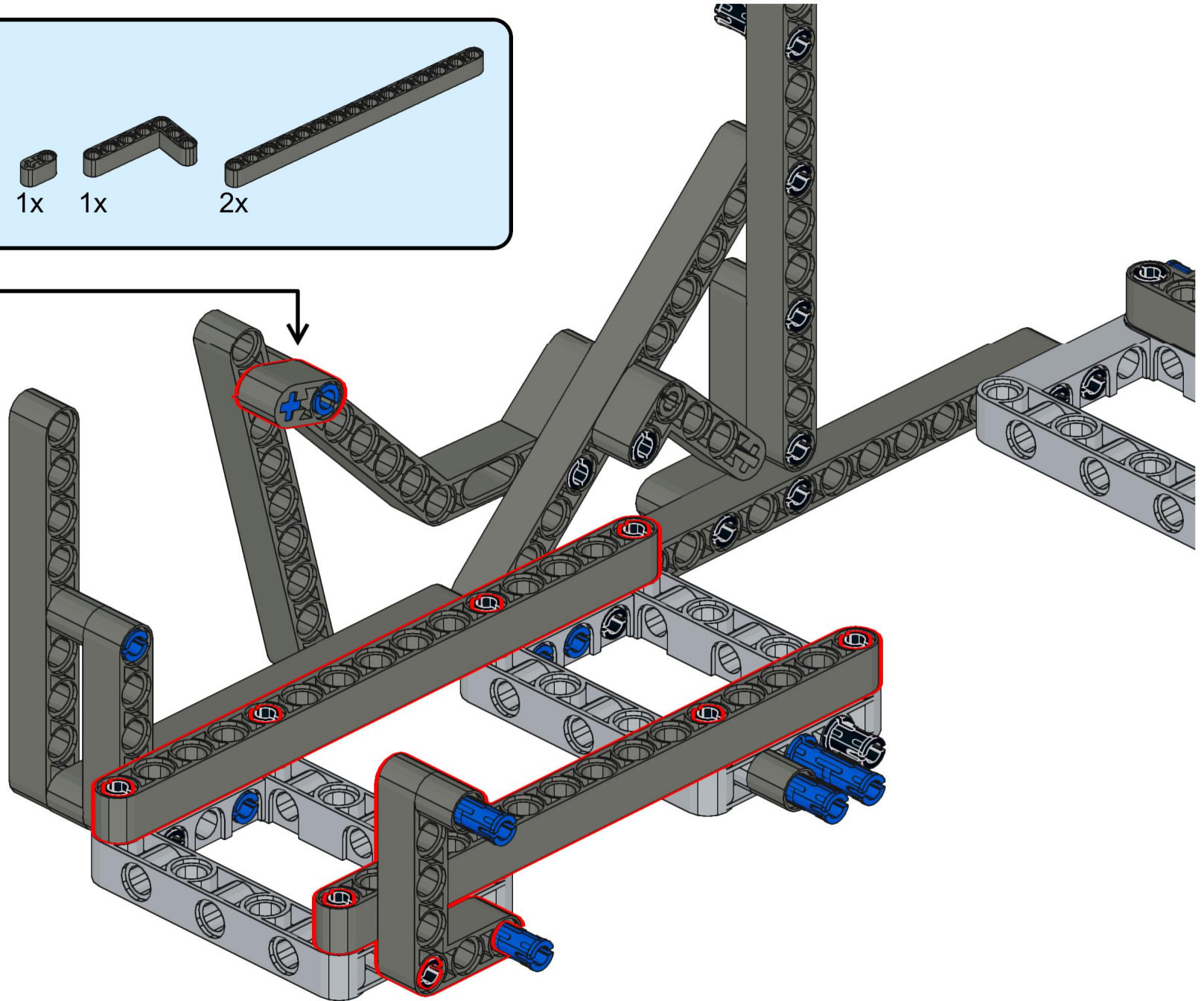
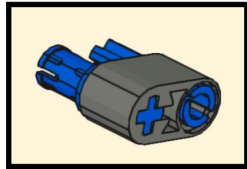
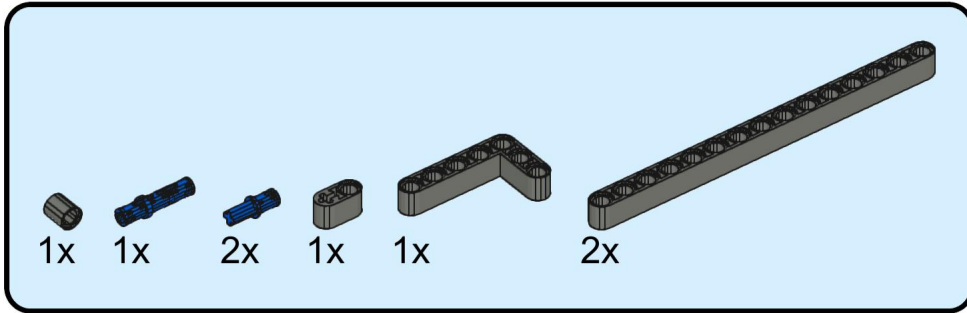
5



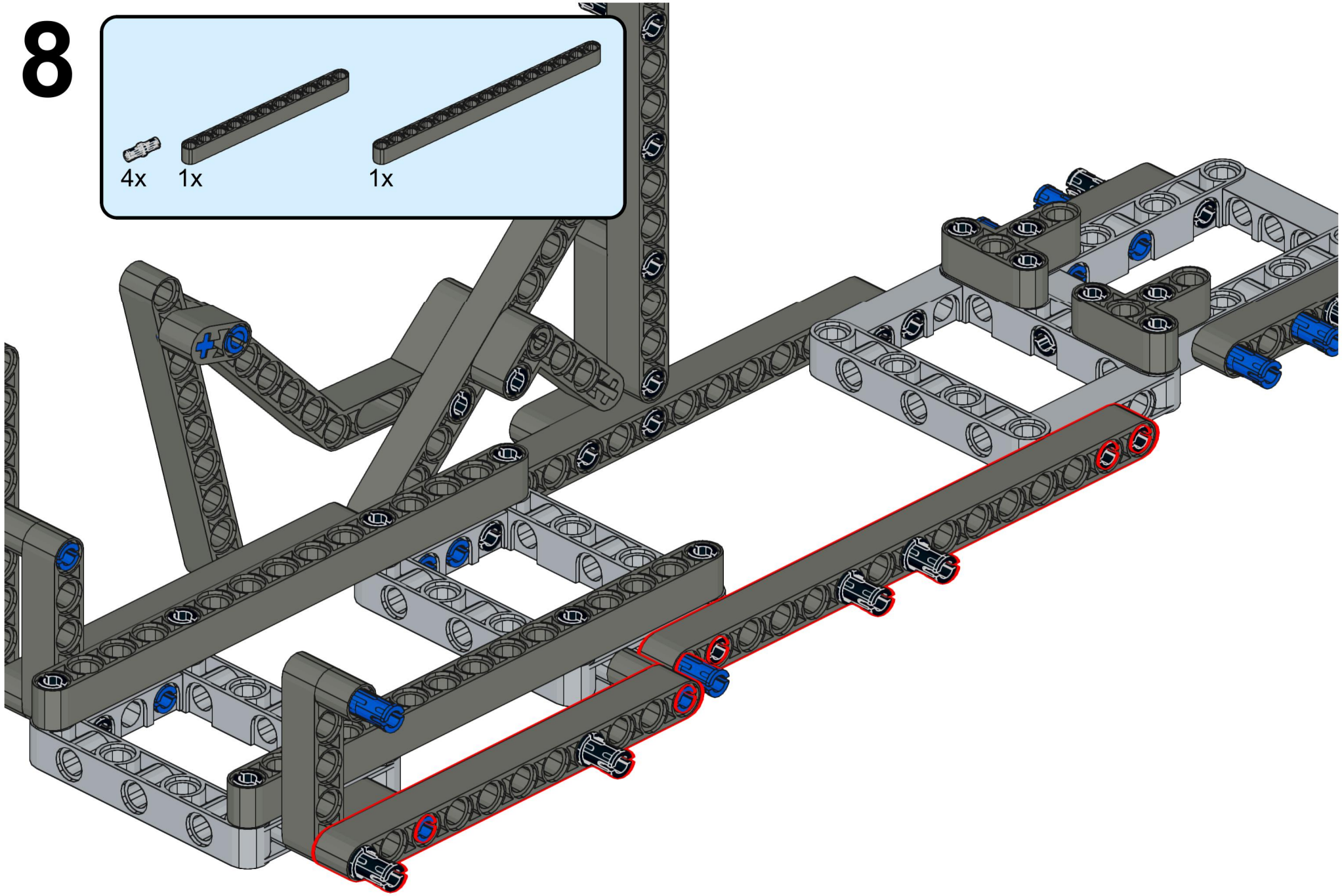
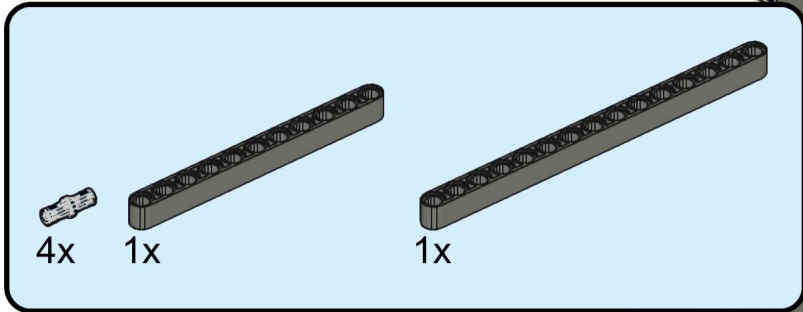
6



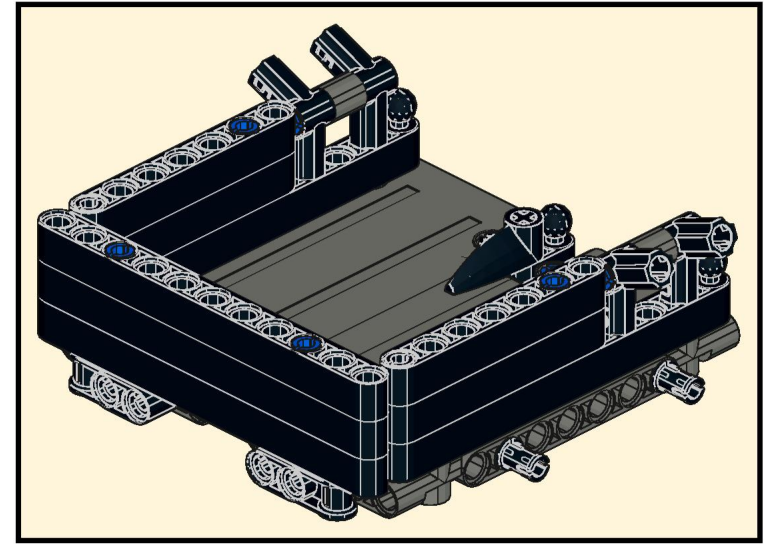
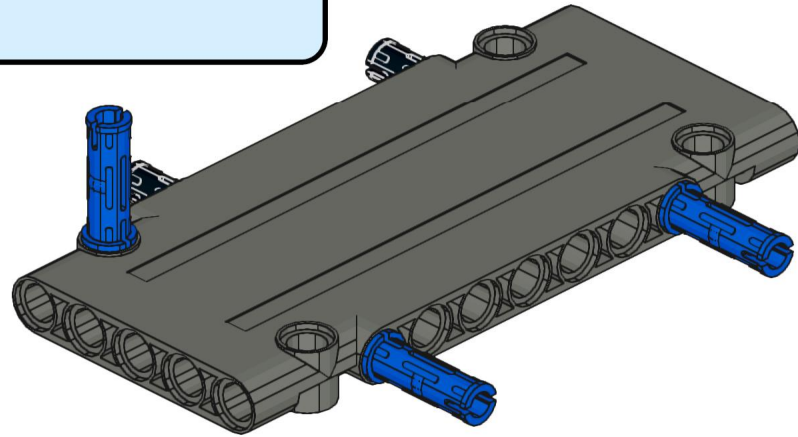
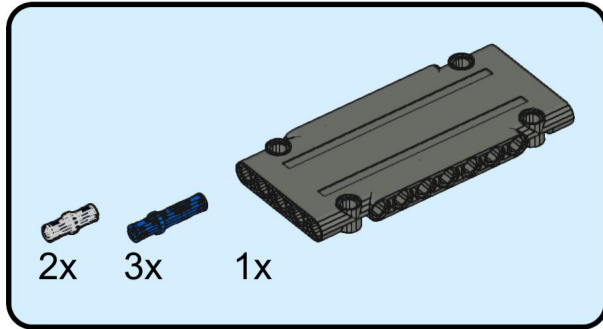
7



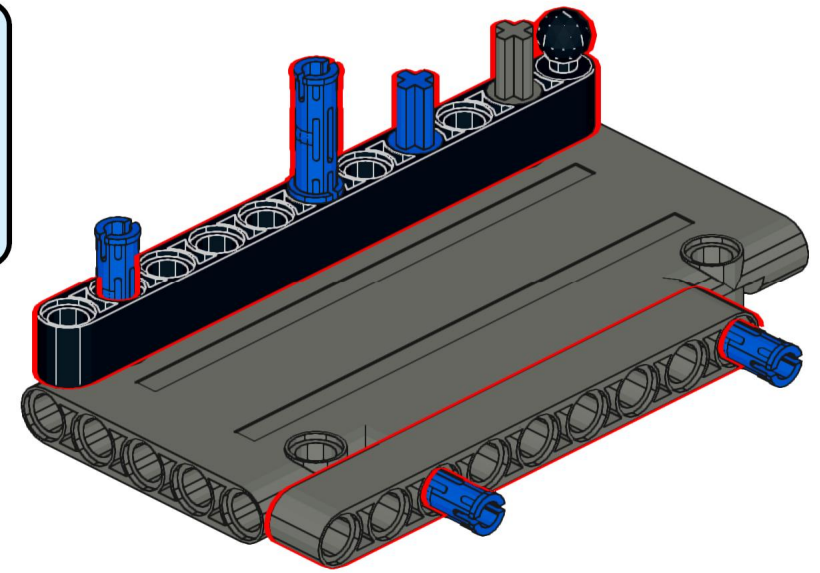
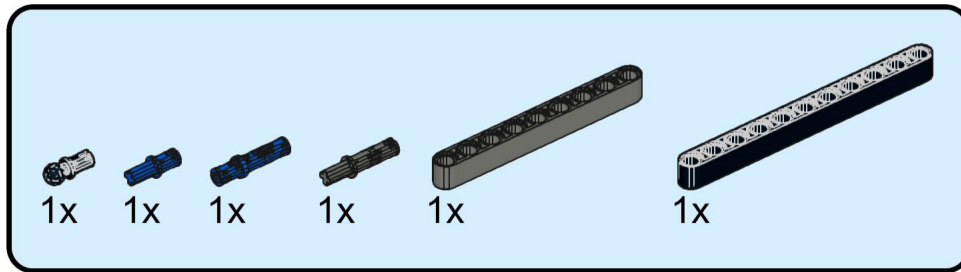
8



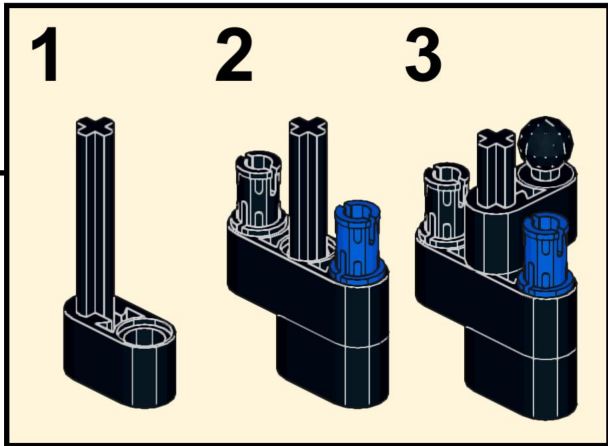
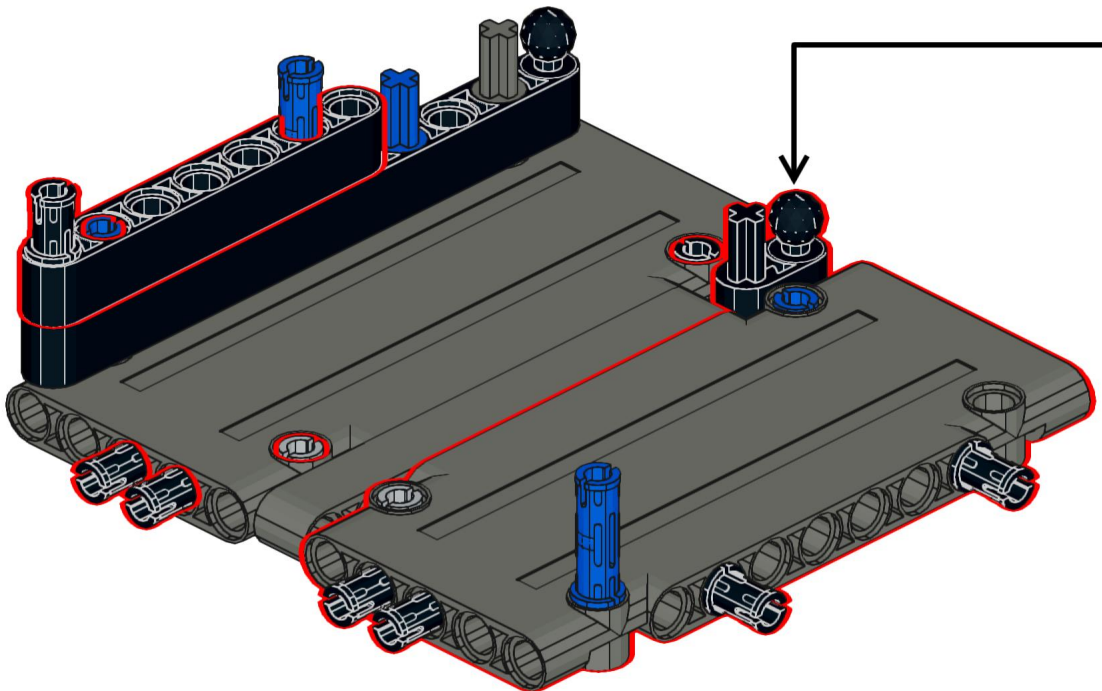
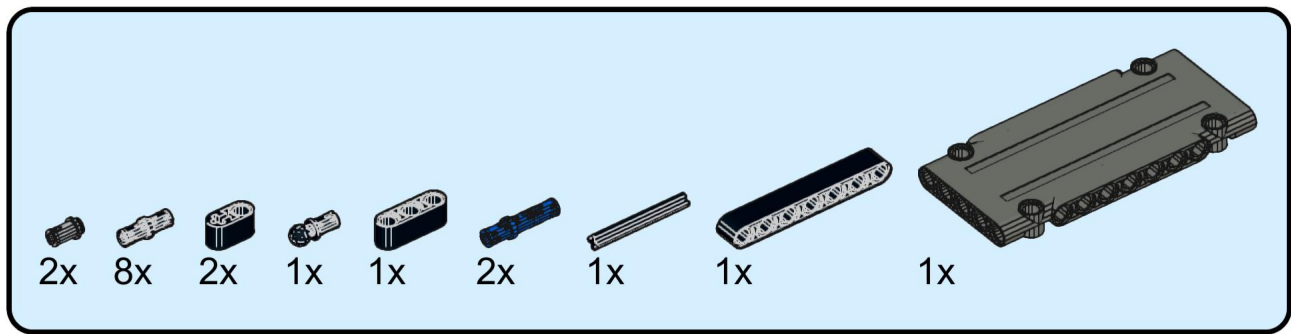
9



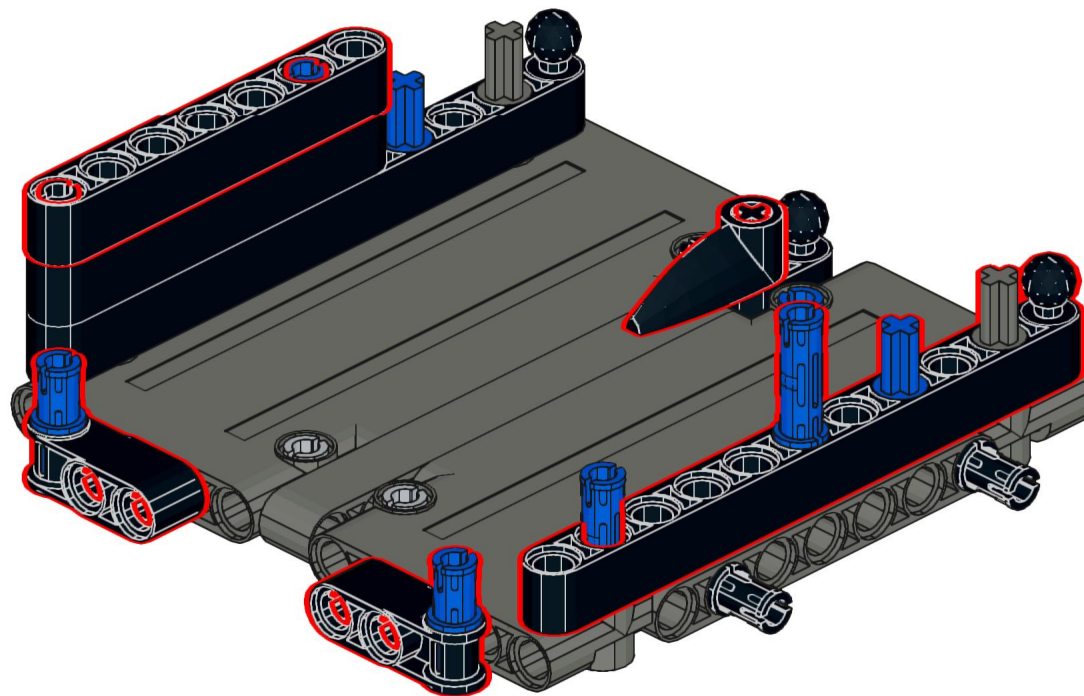
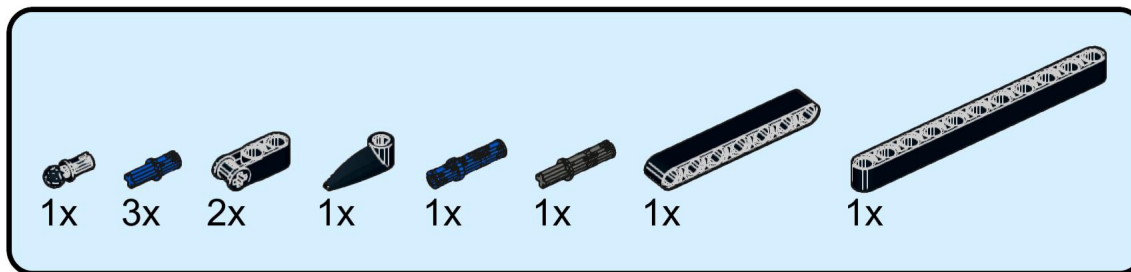
10



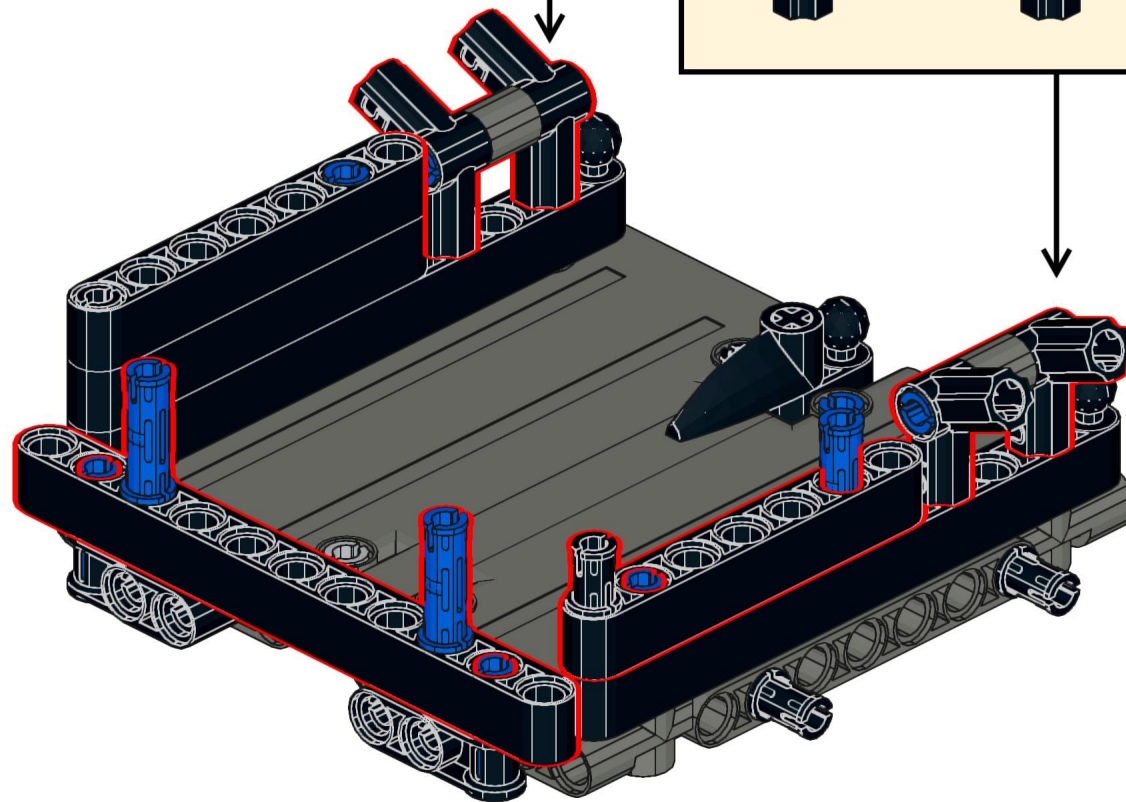
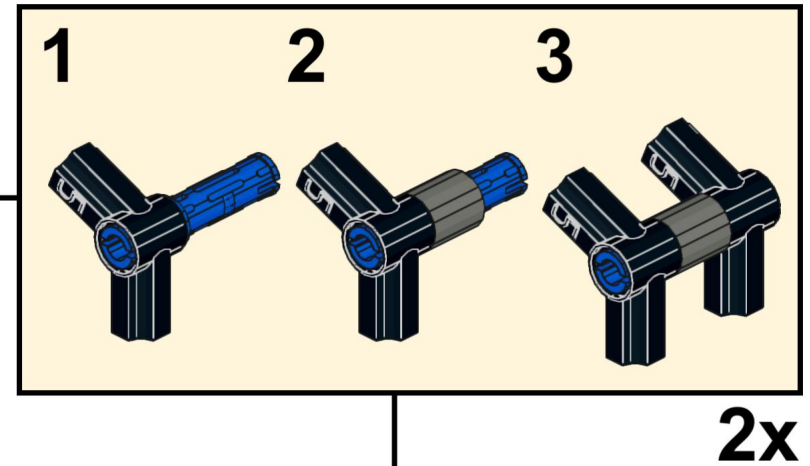
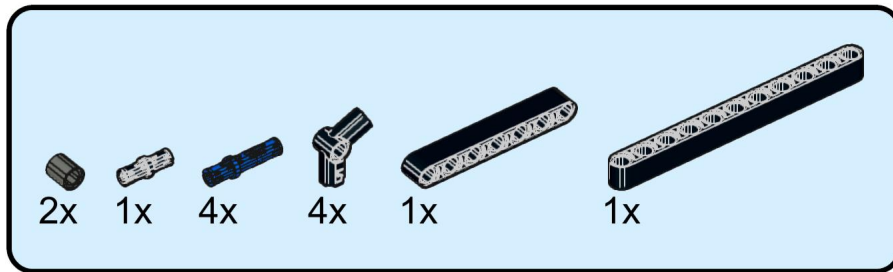
11



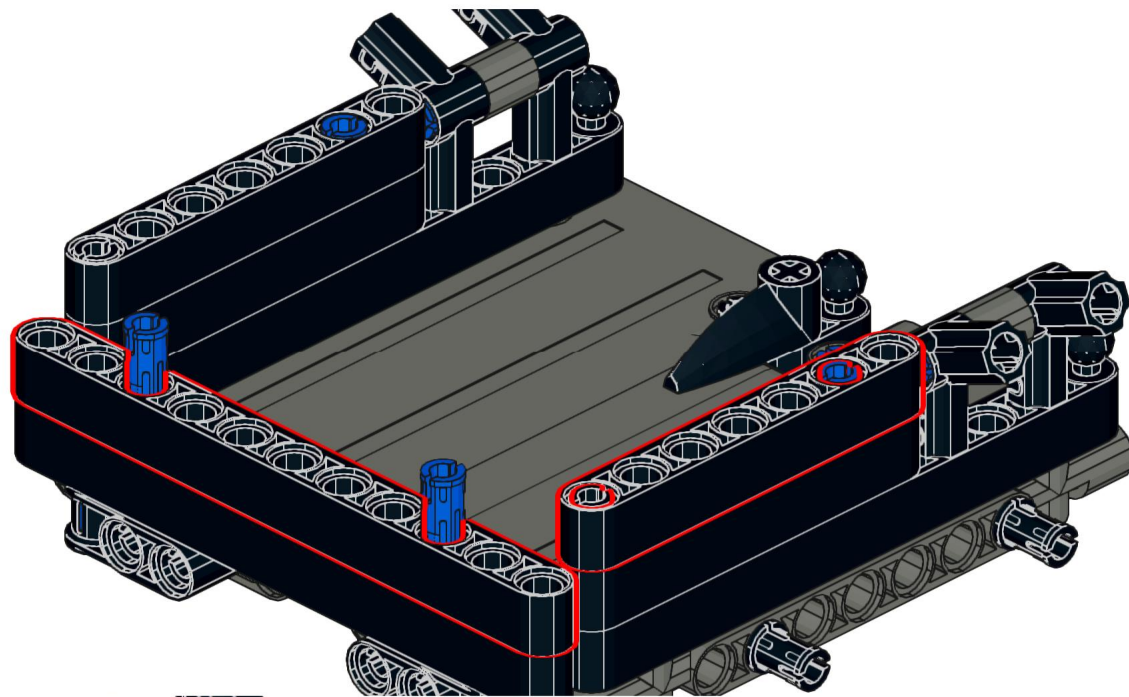
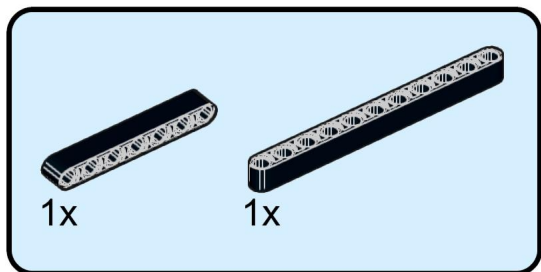
12



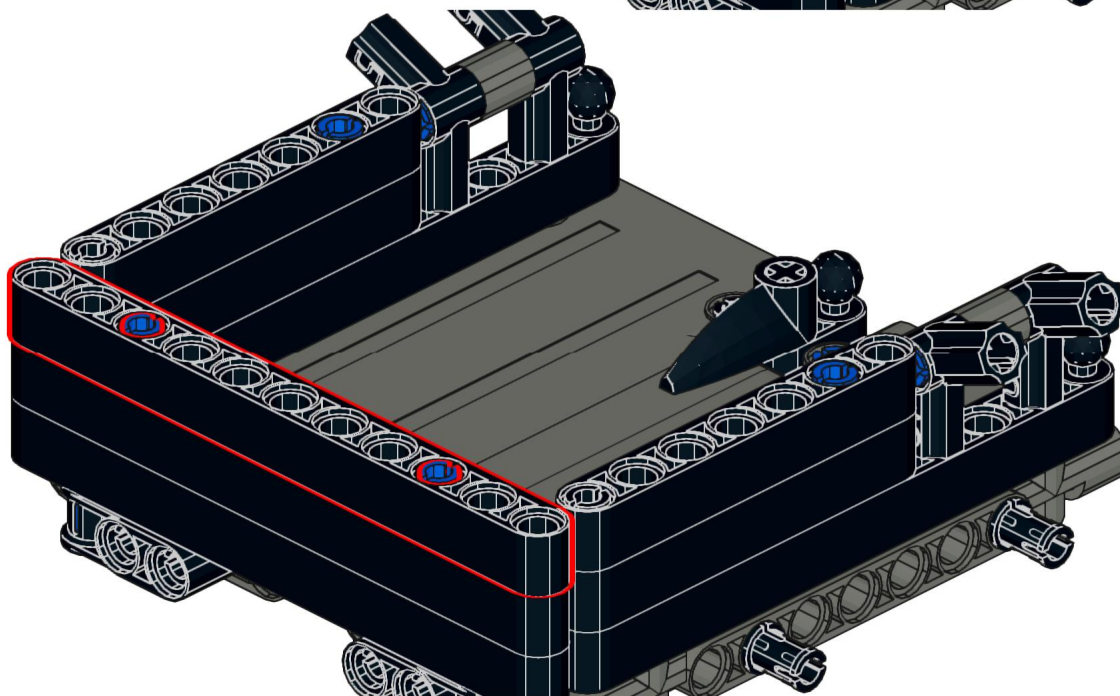
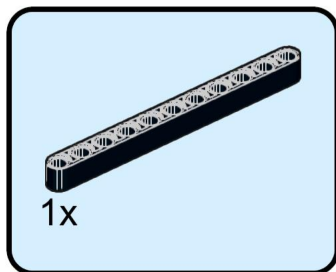
13



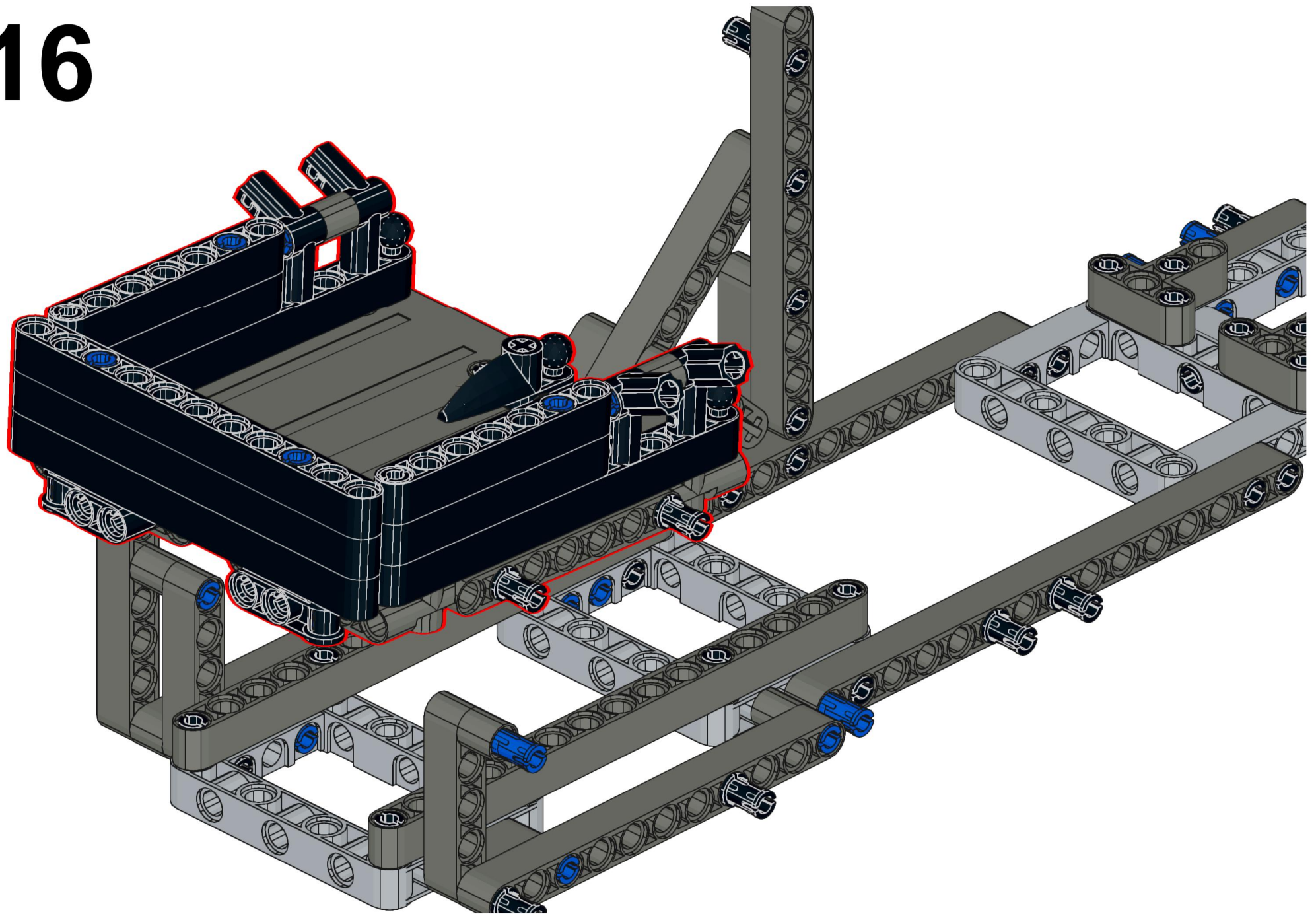
14



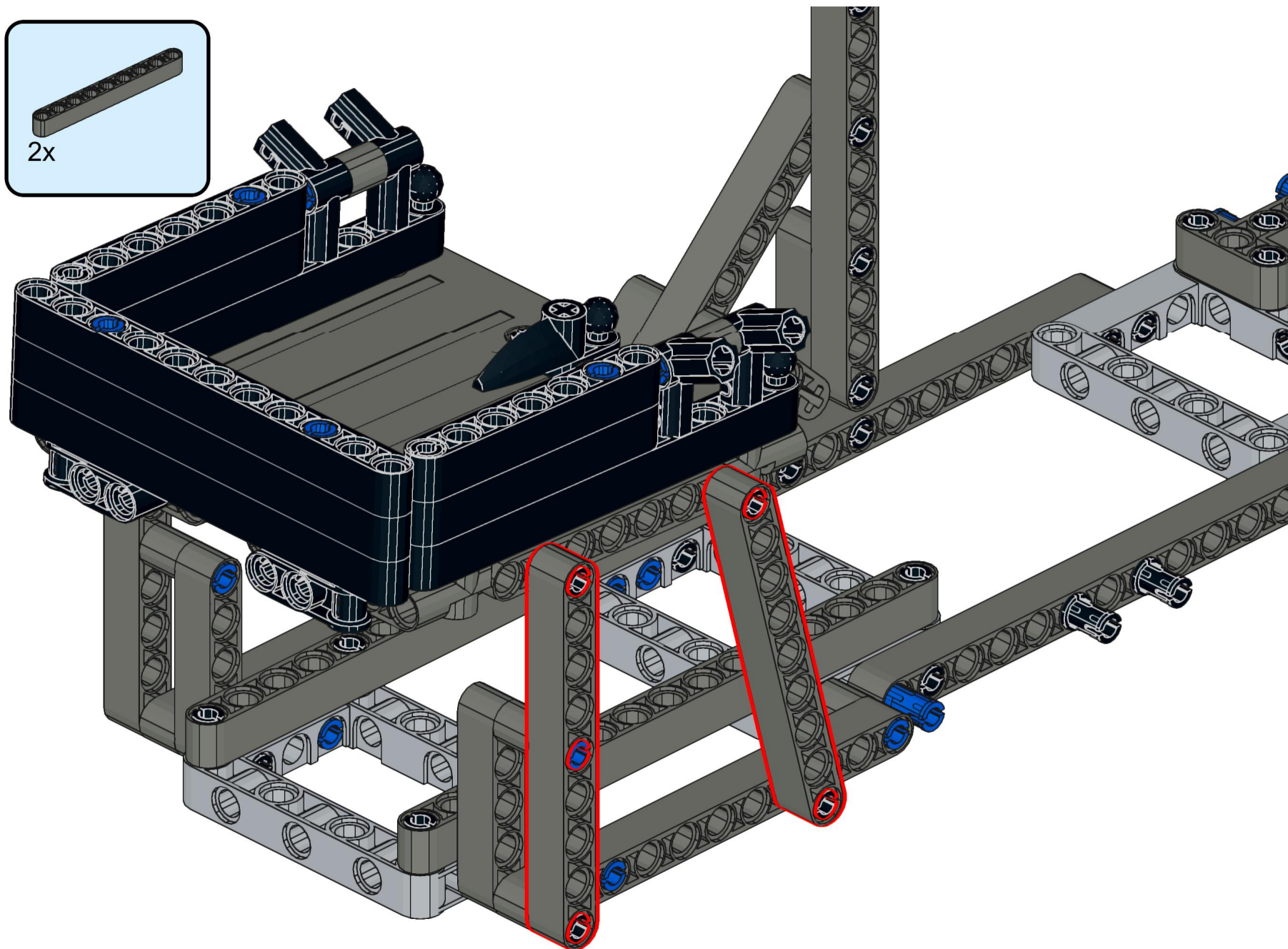
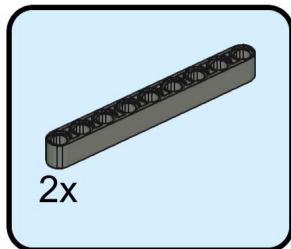
15



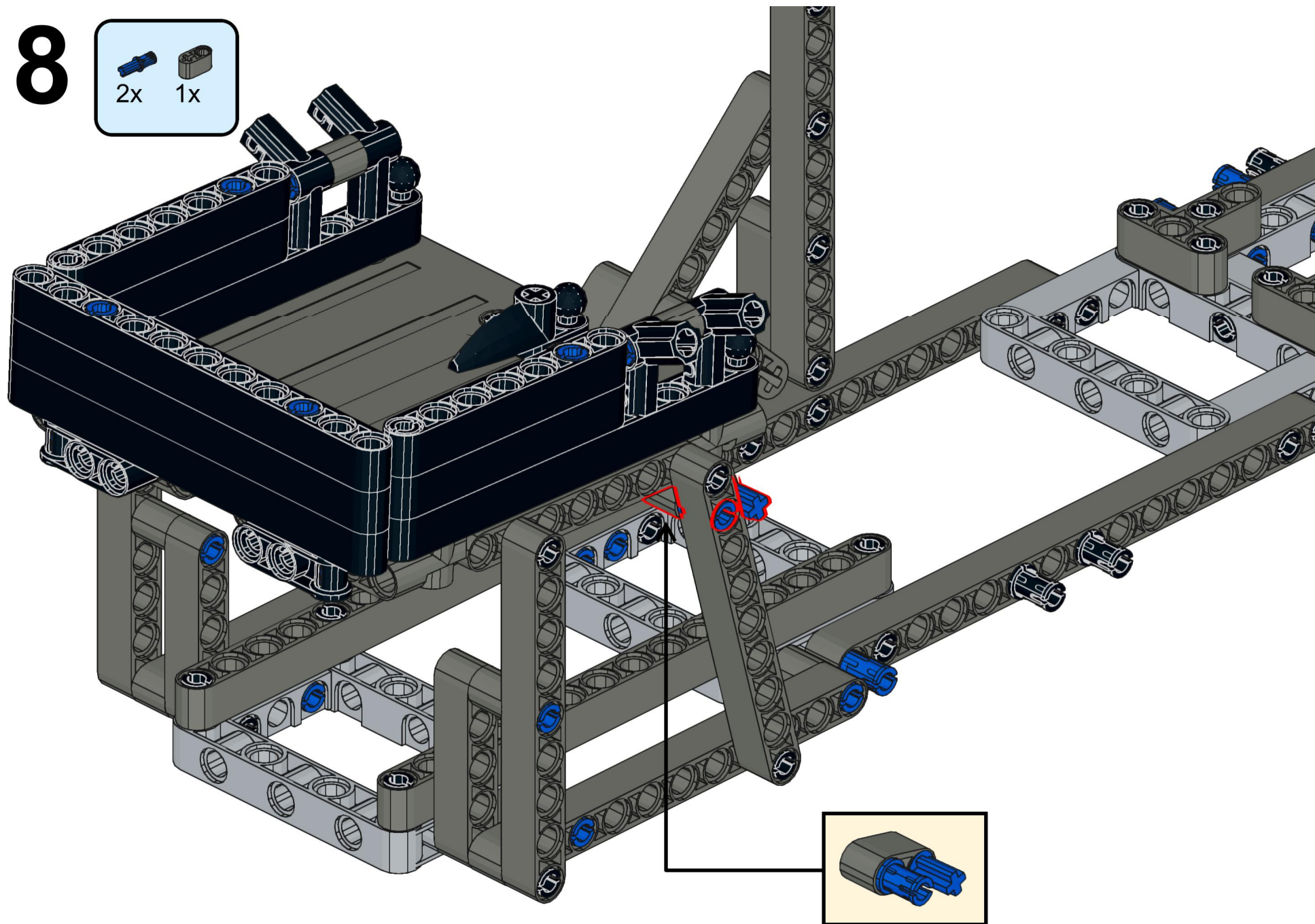
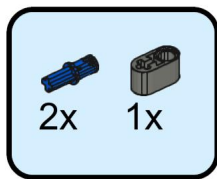
16



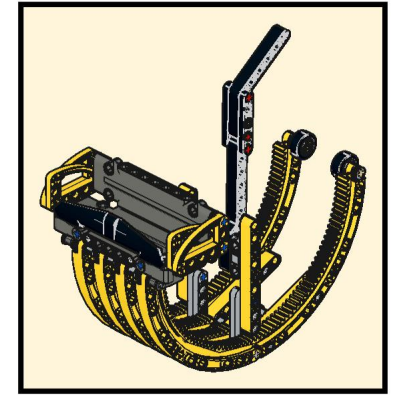
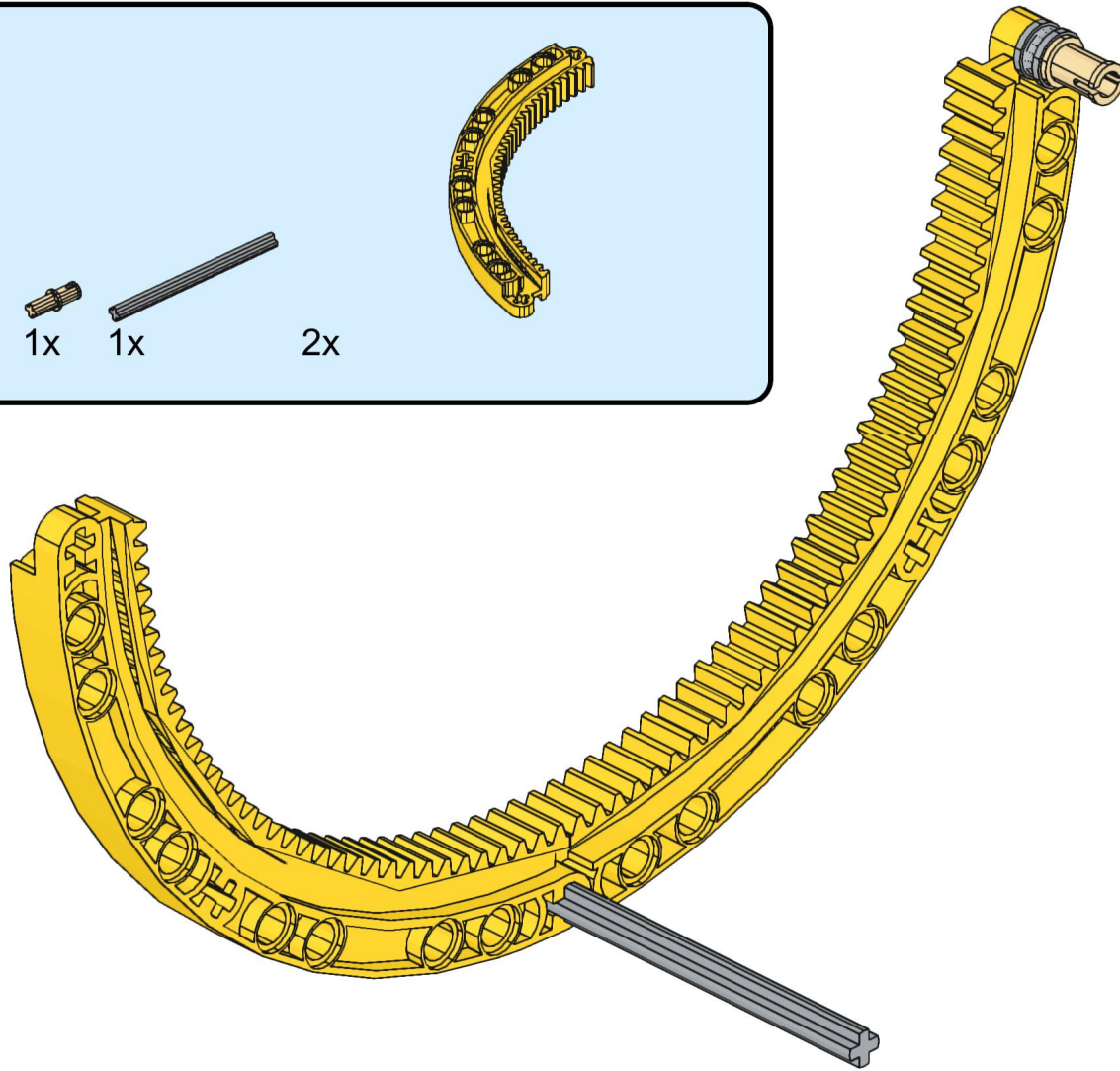
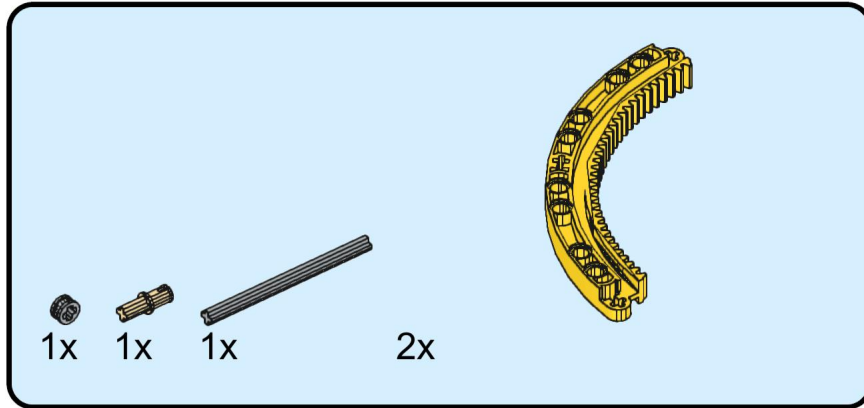
17



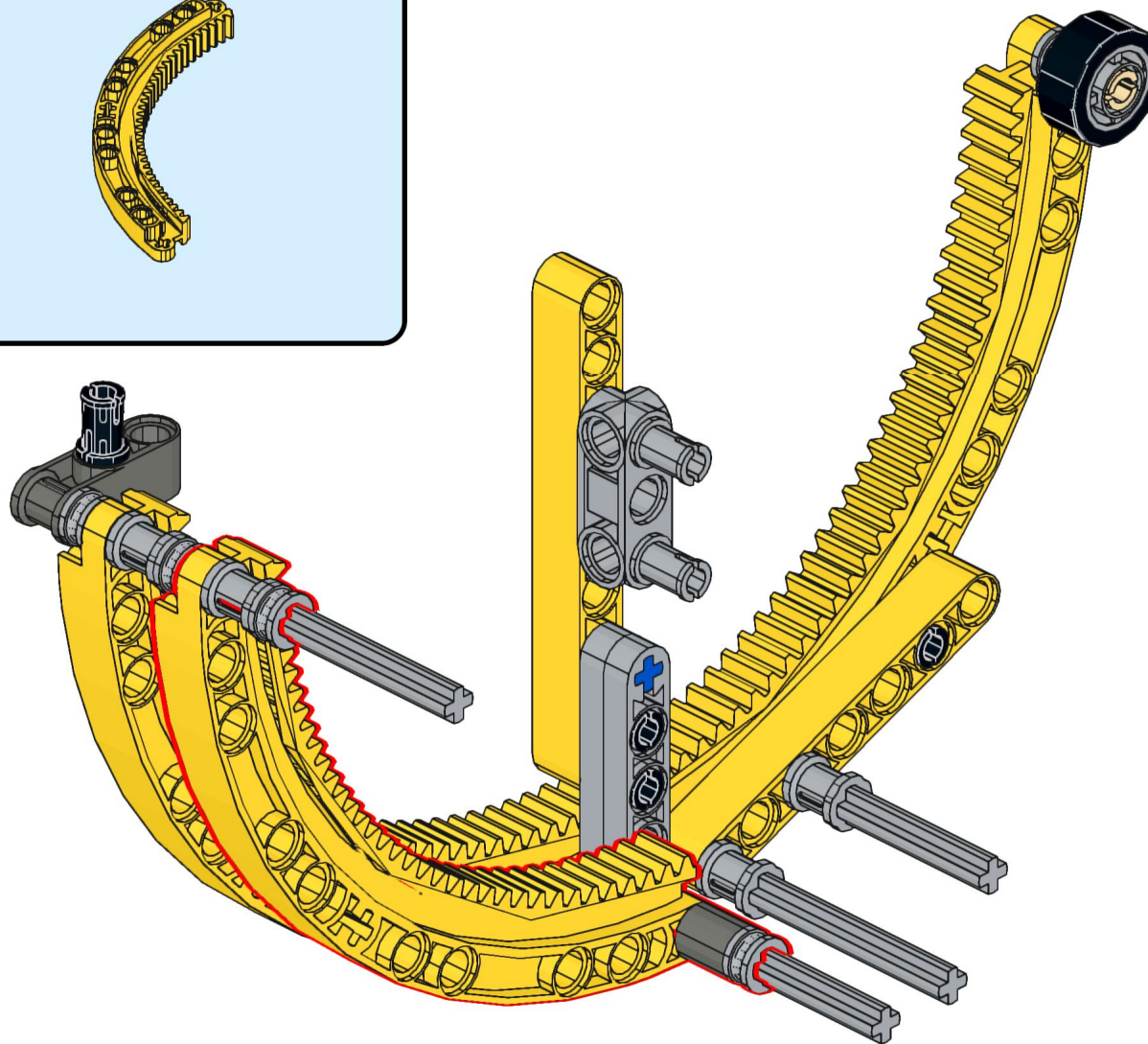
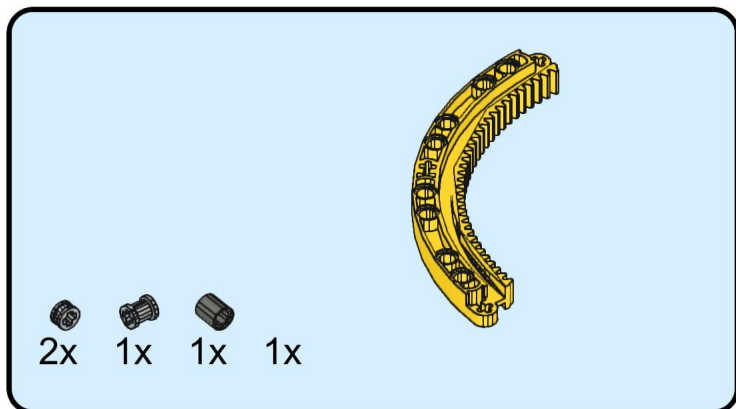
18



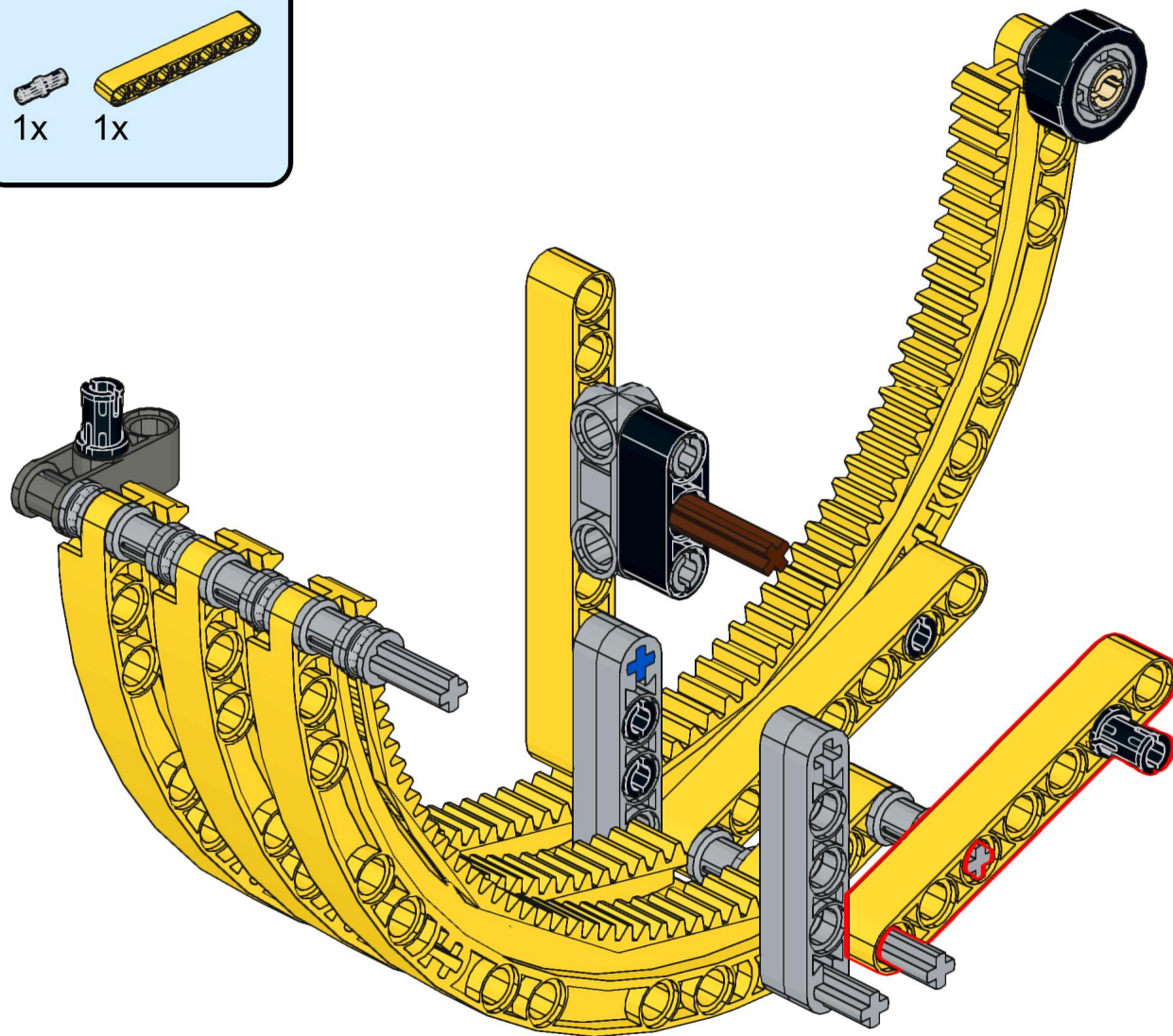
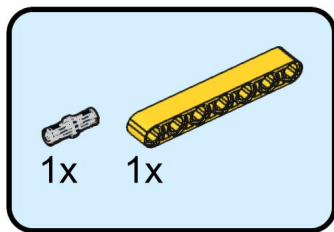
19



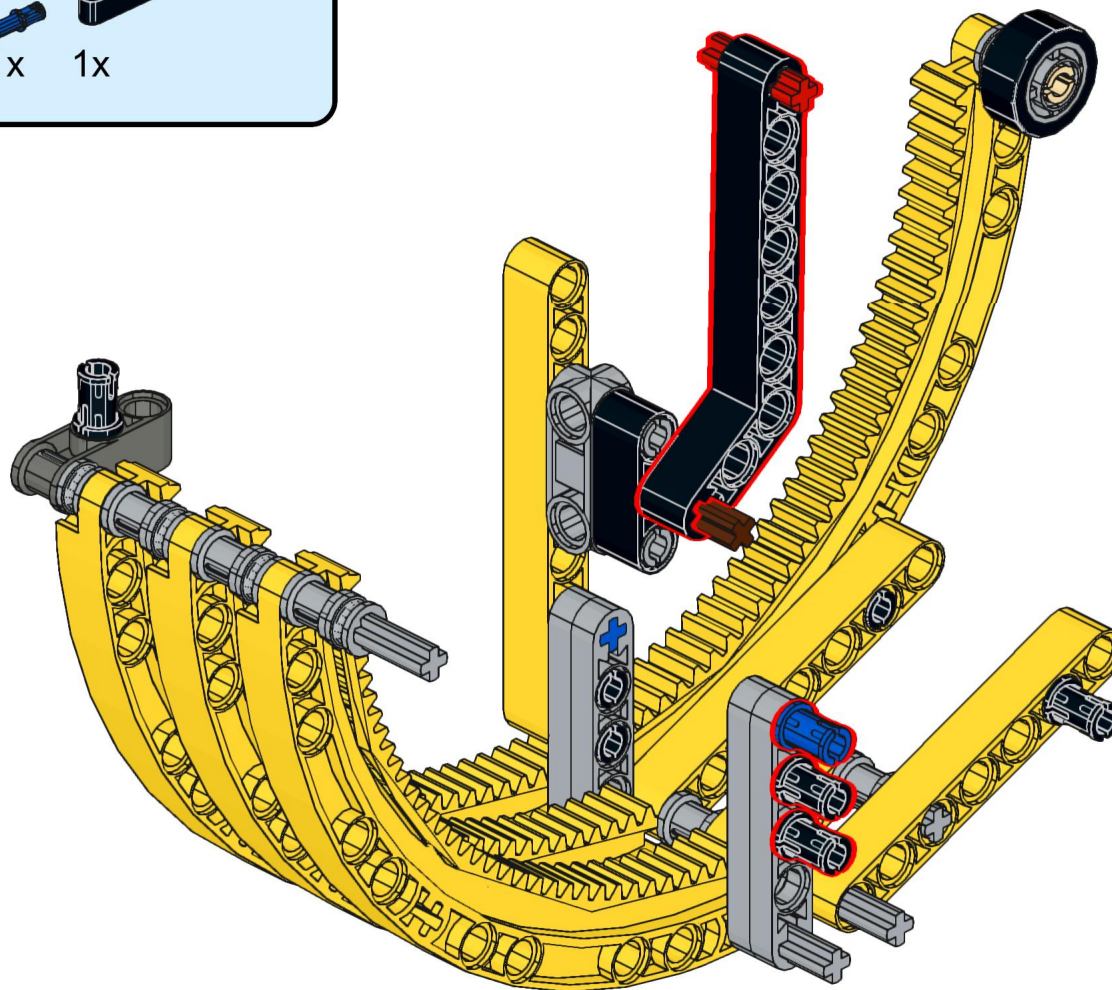
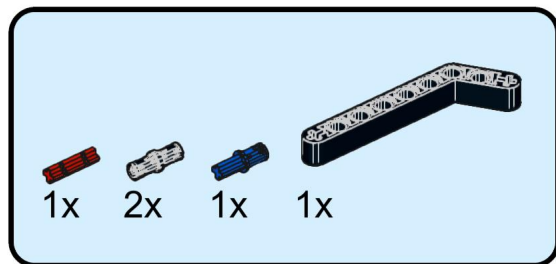
22



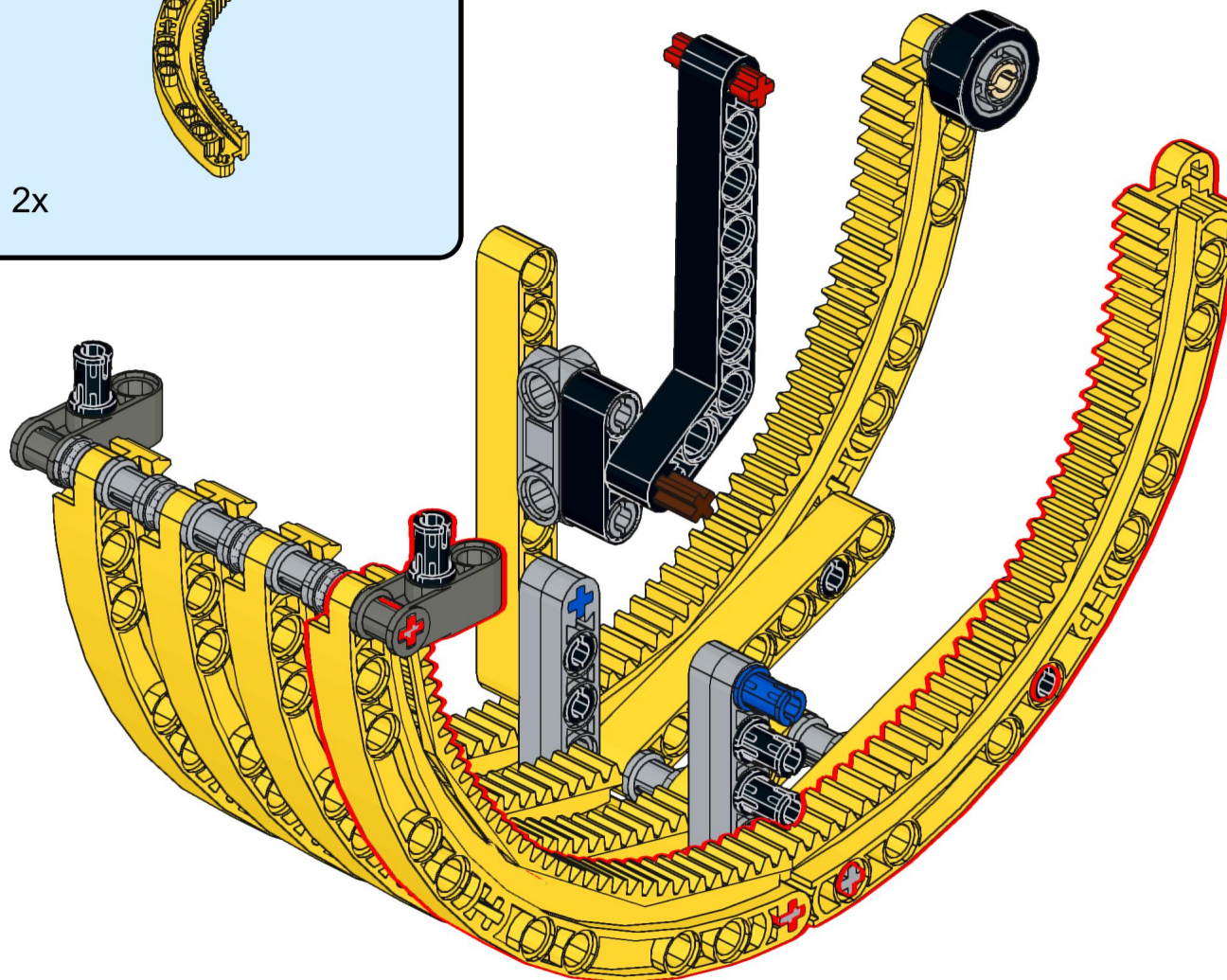
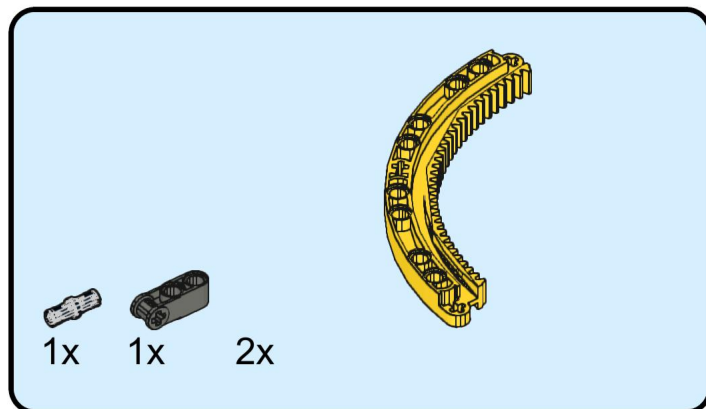
24



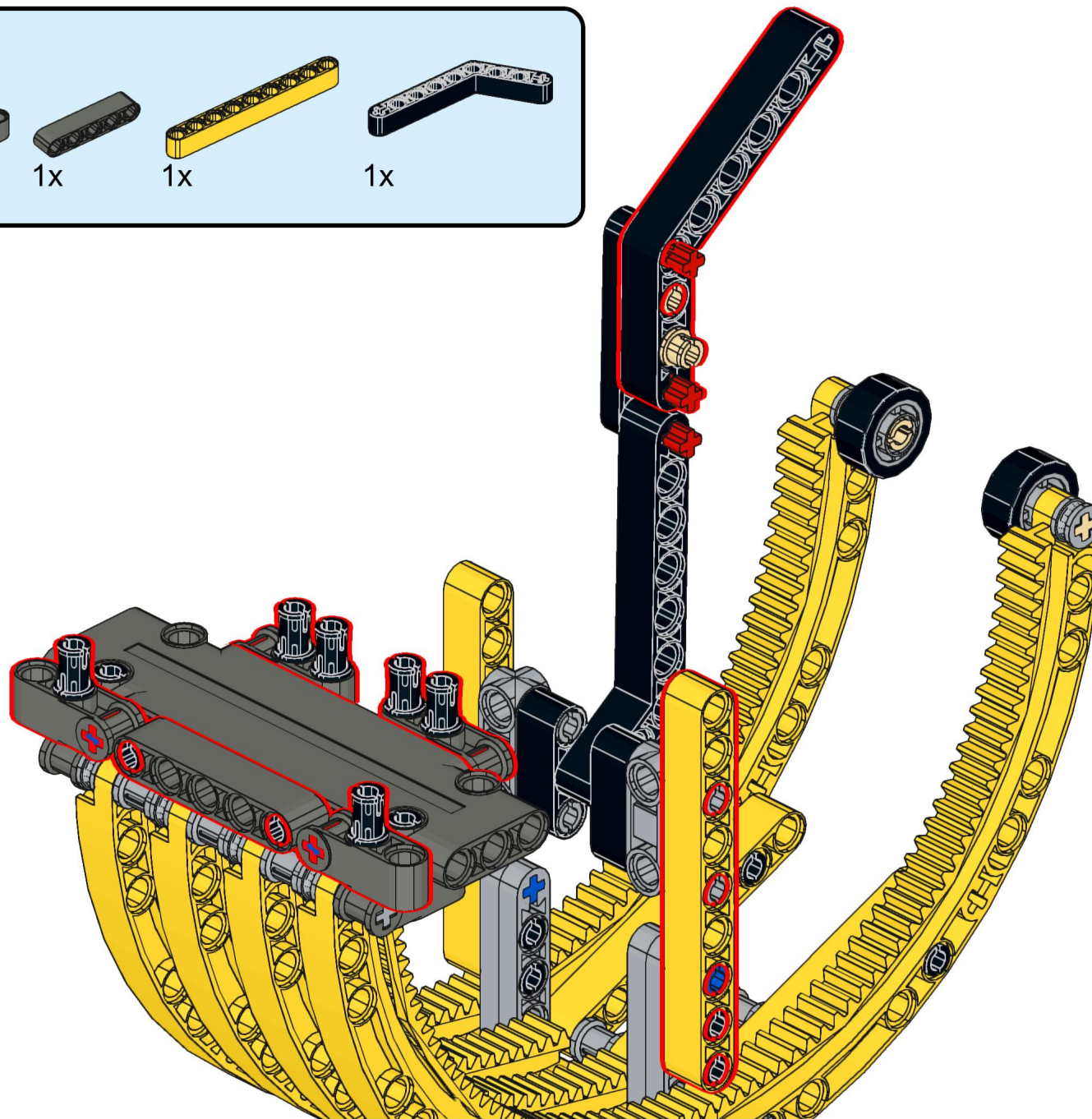
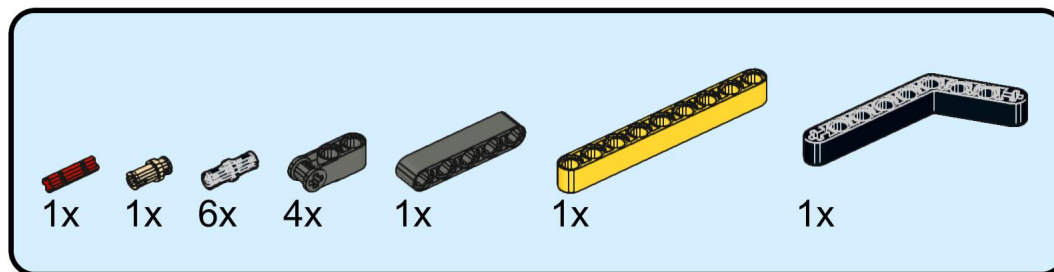
25



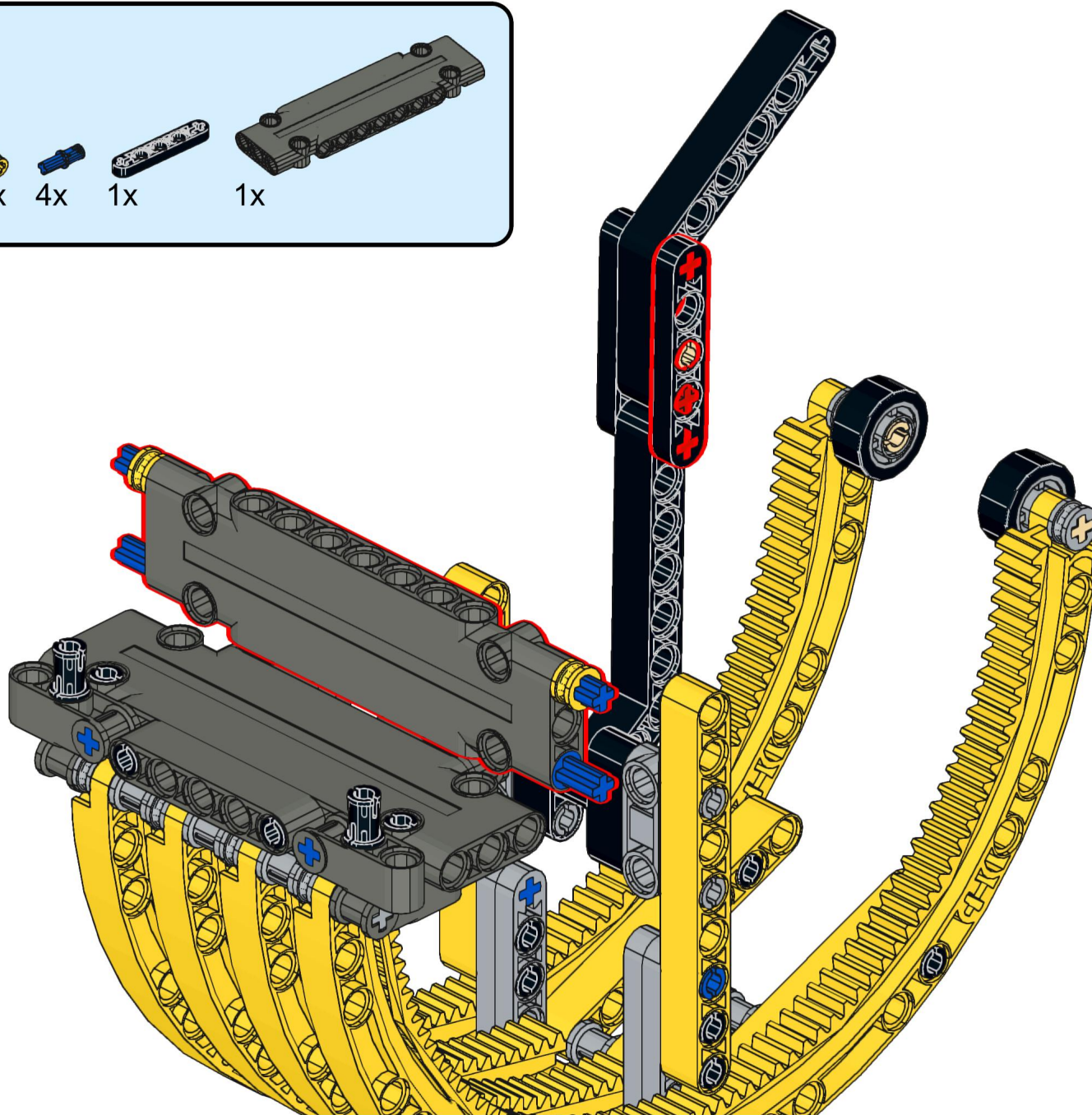
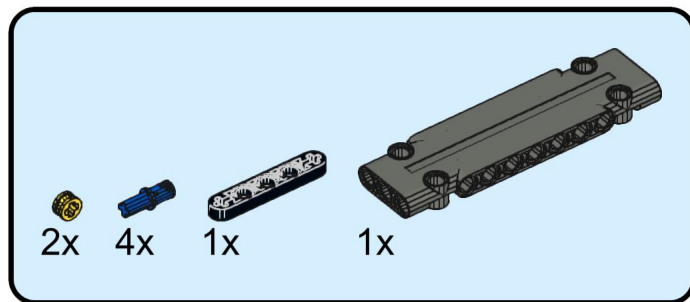
26



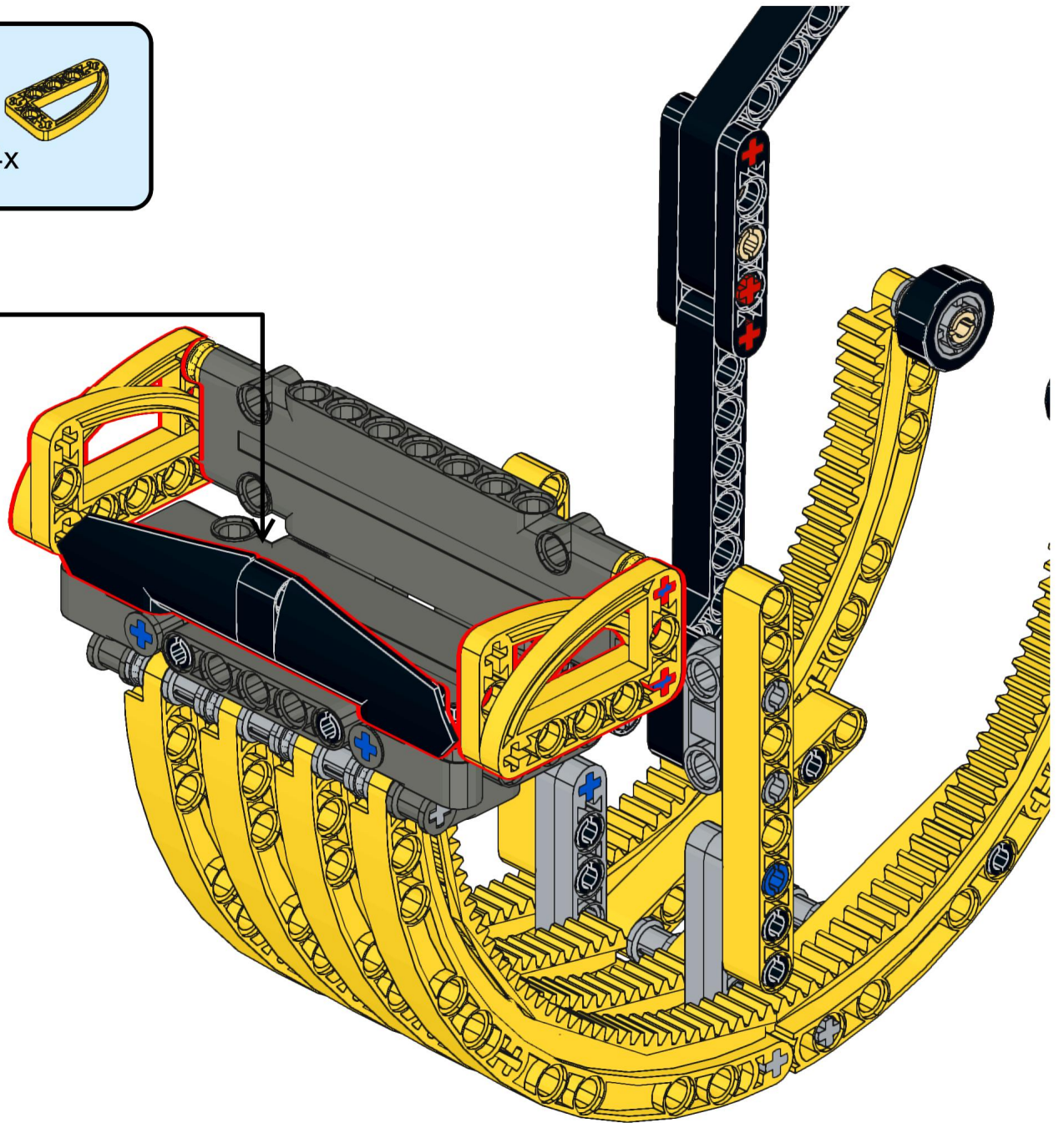
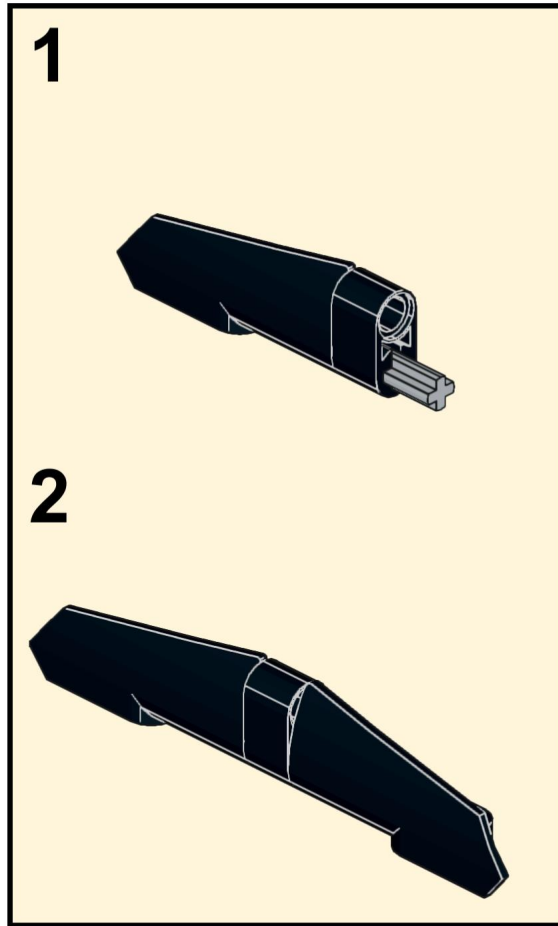
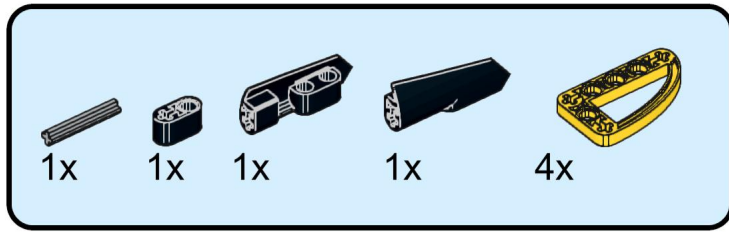
28



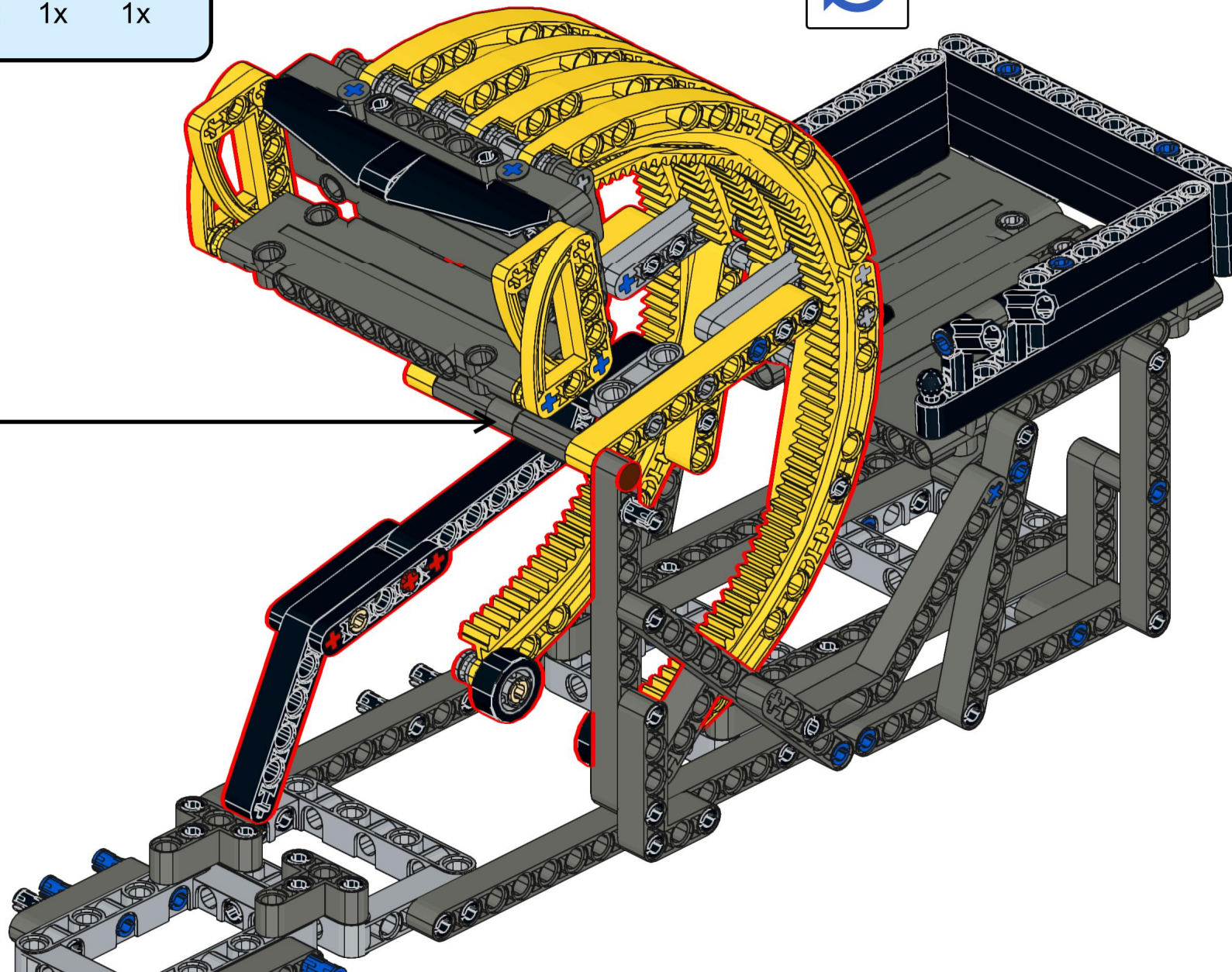
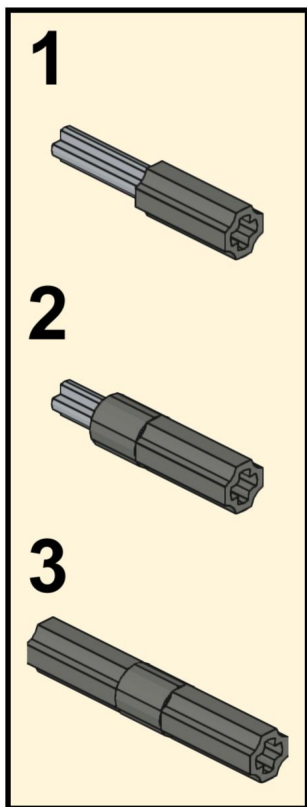
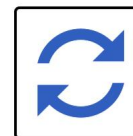
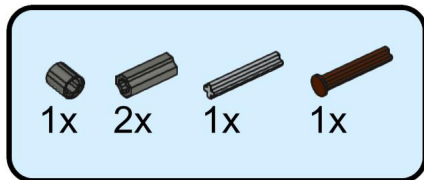
29



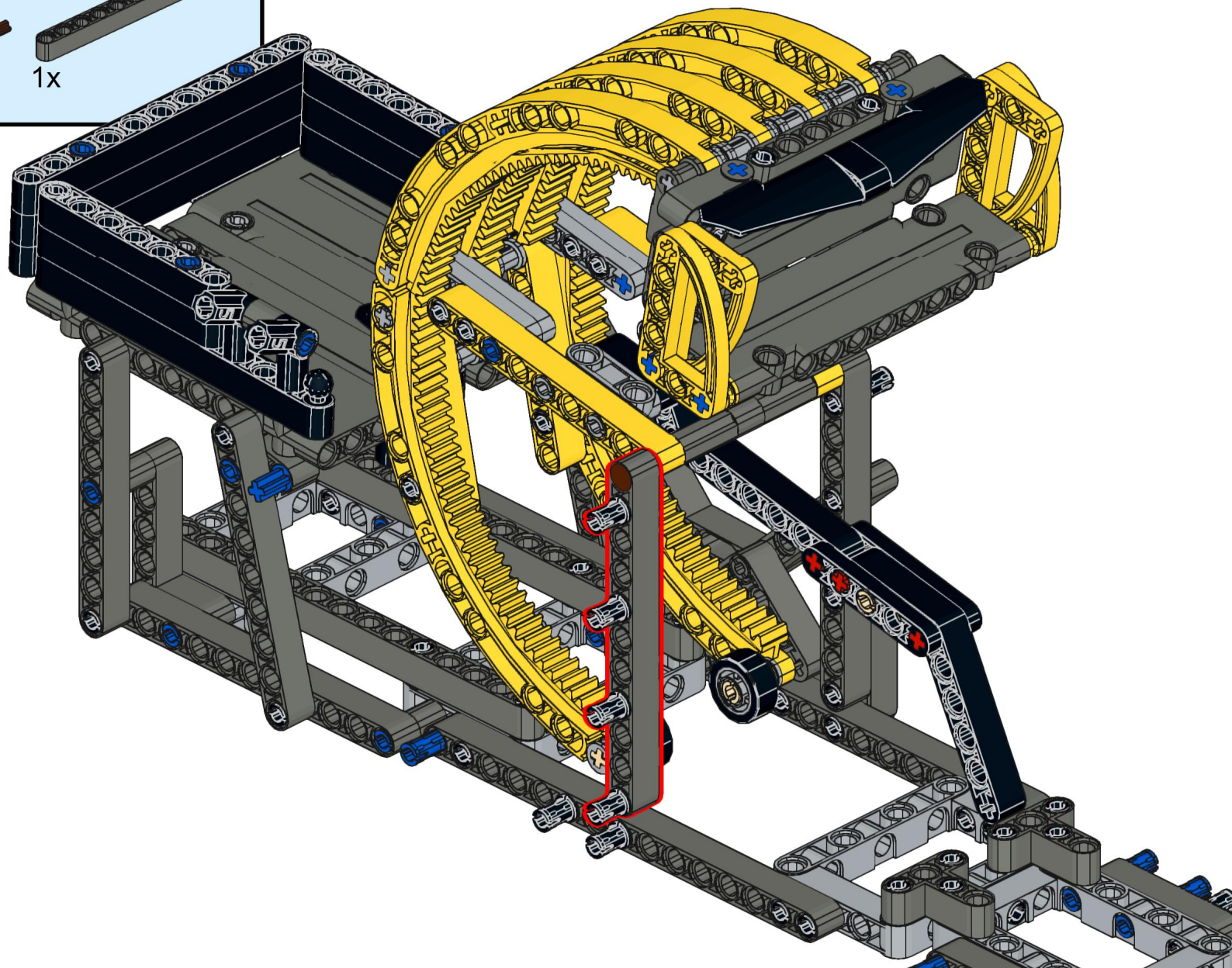
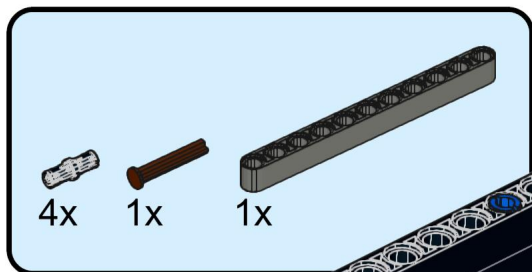
30



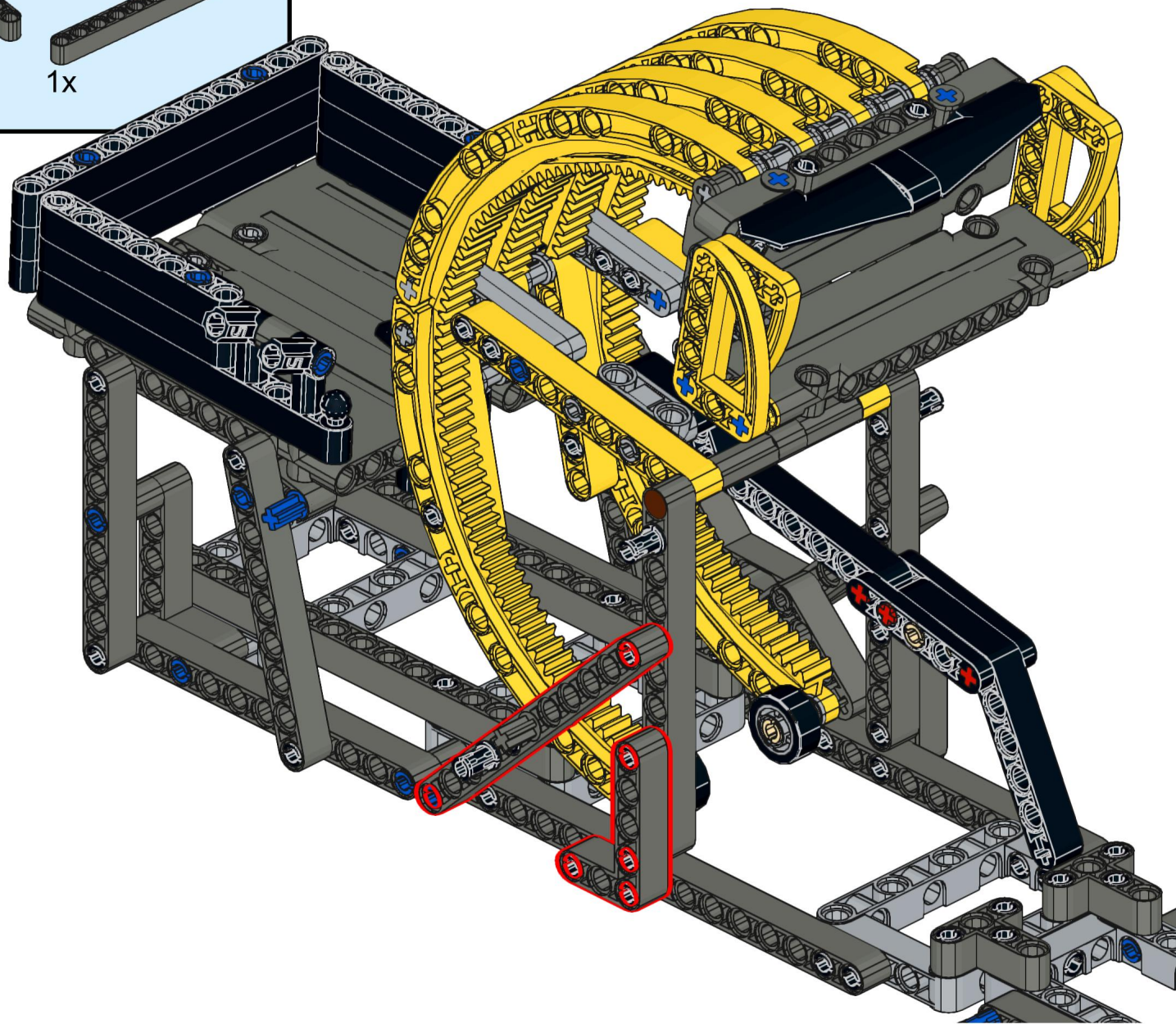
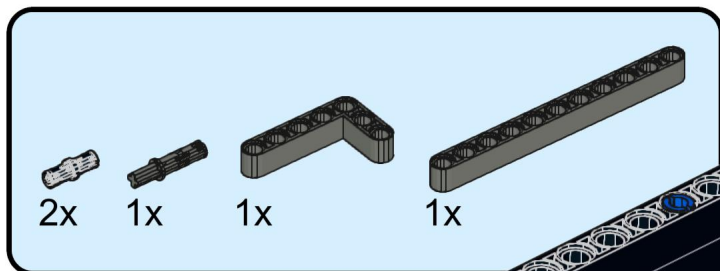
31



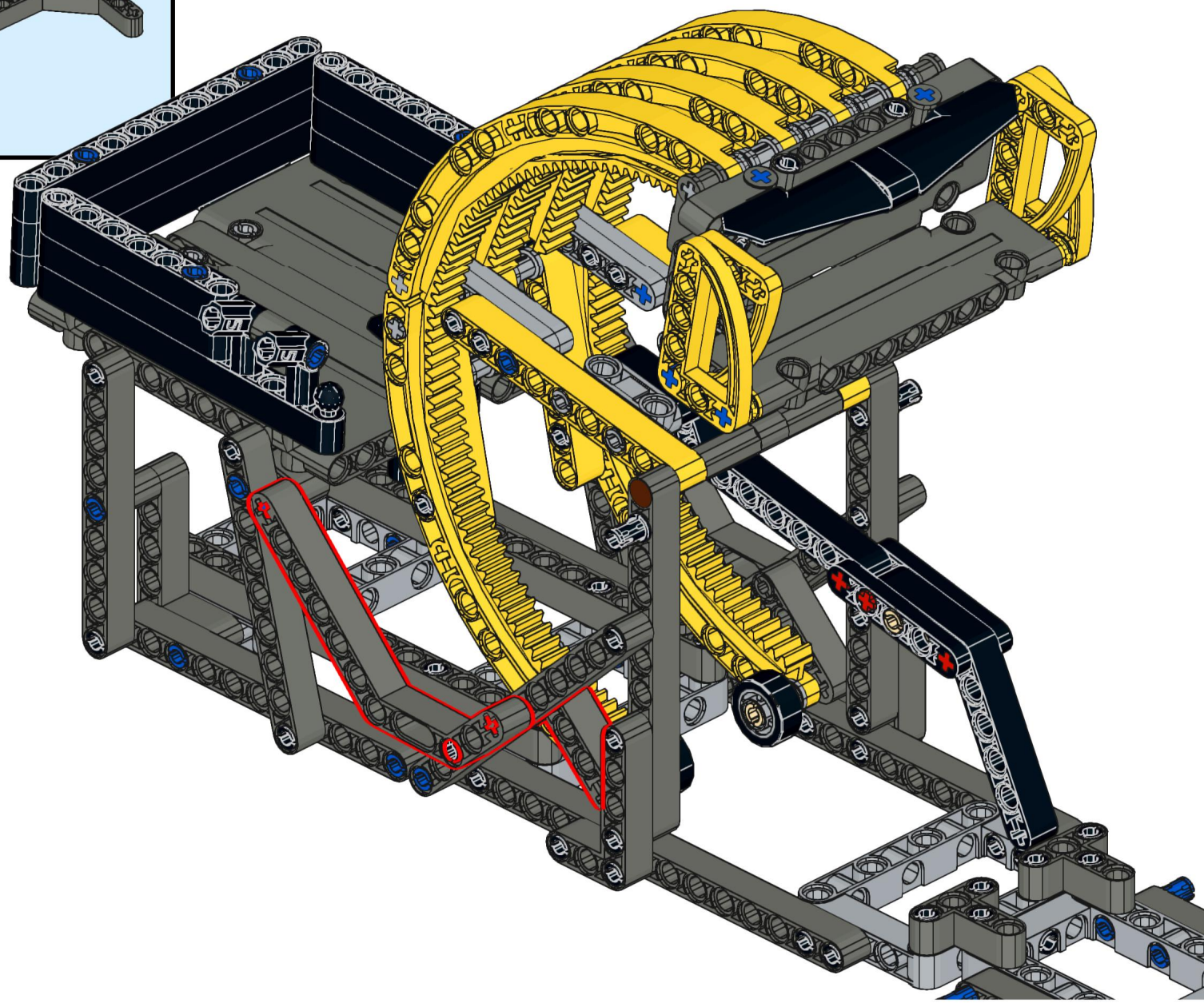
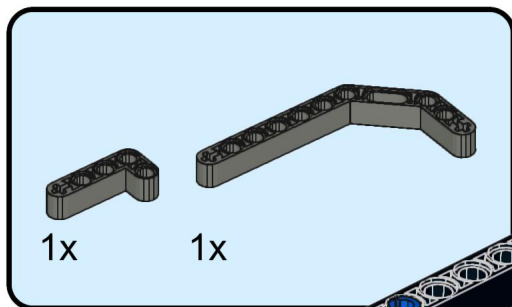
32



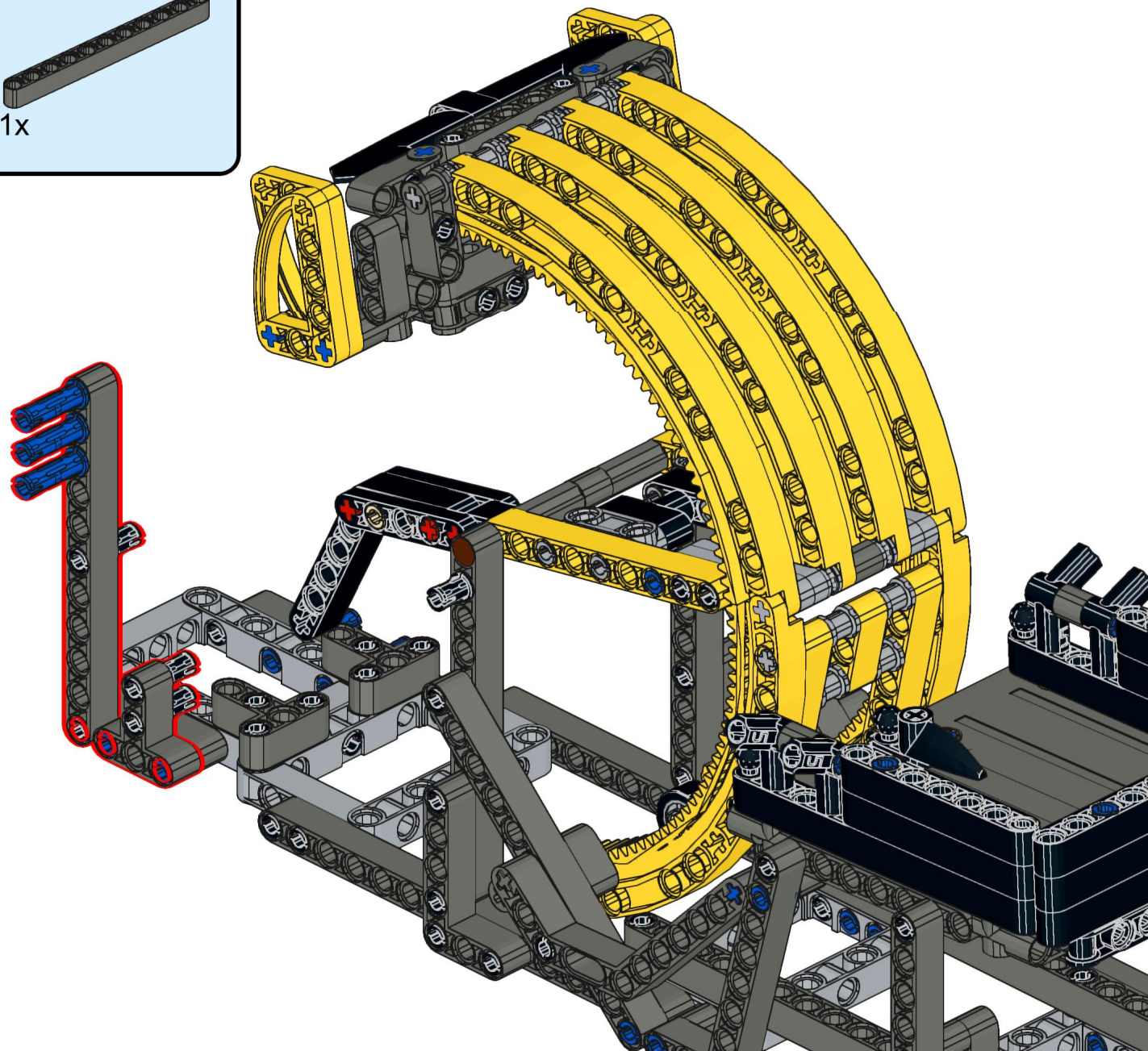
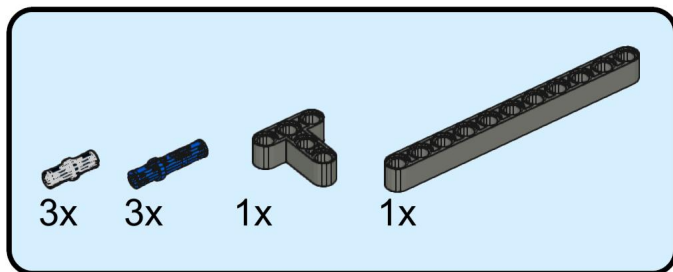
33



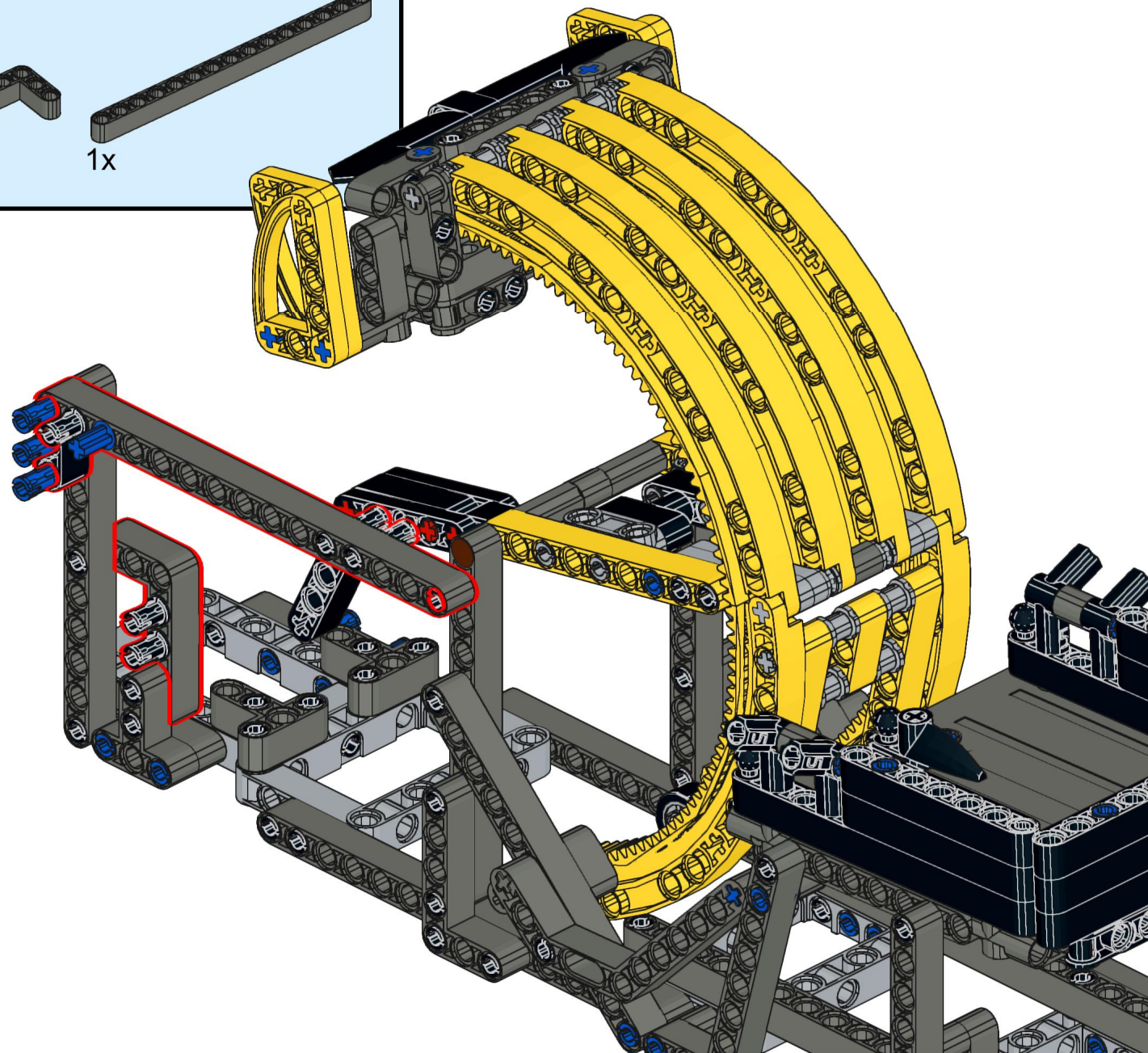
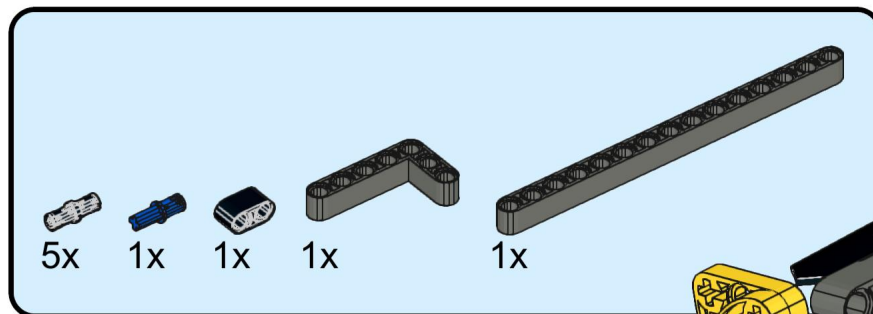
34



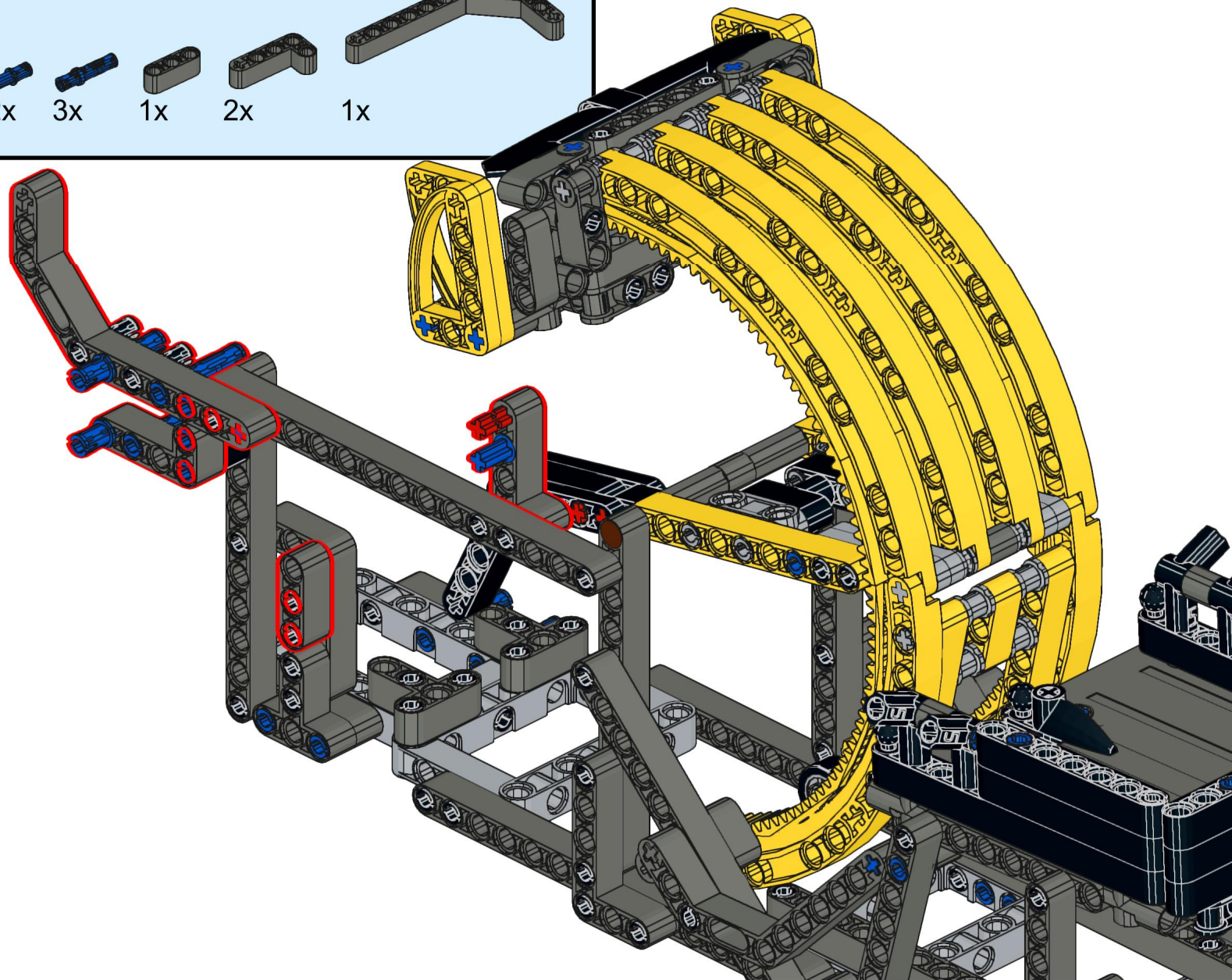
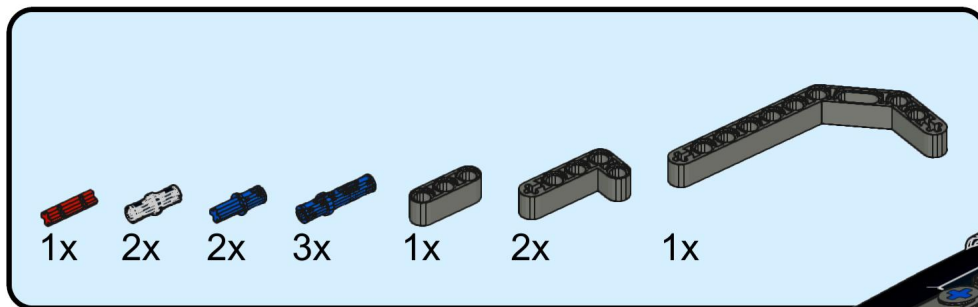
35



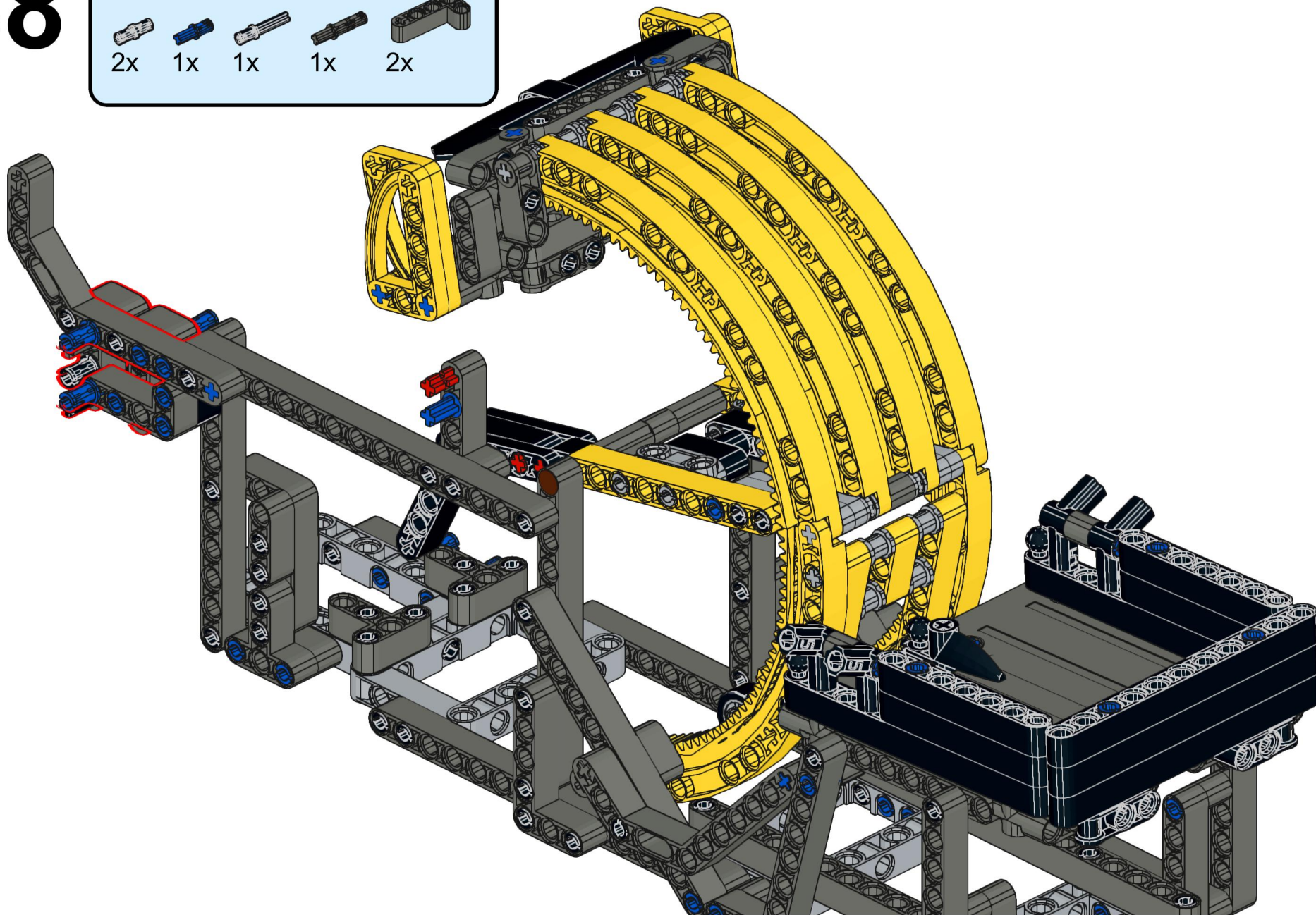
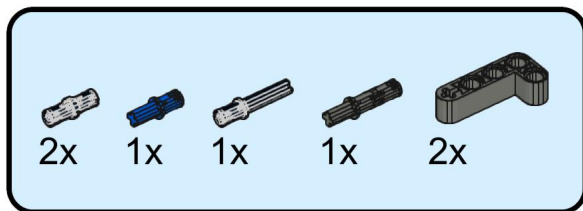
36



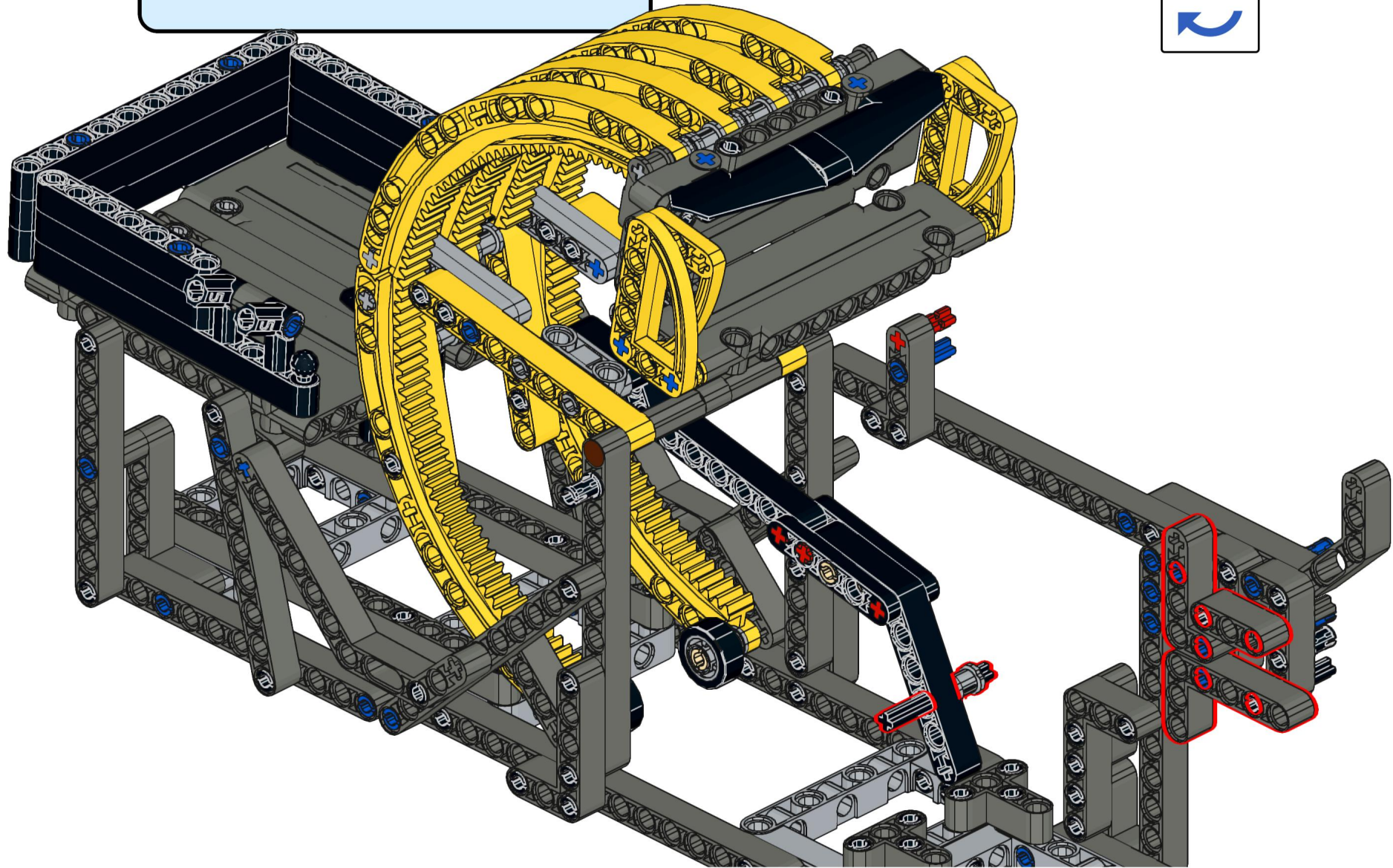
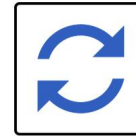
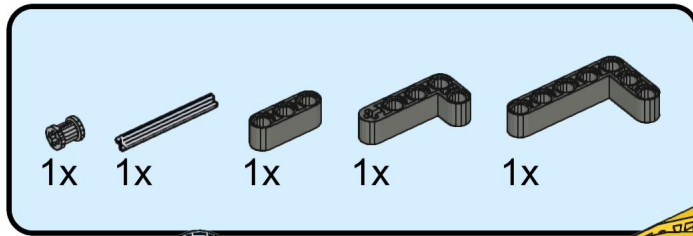
37



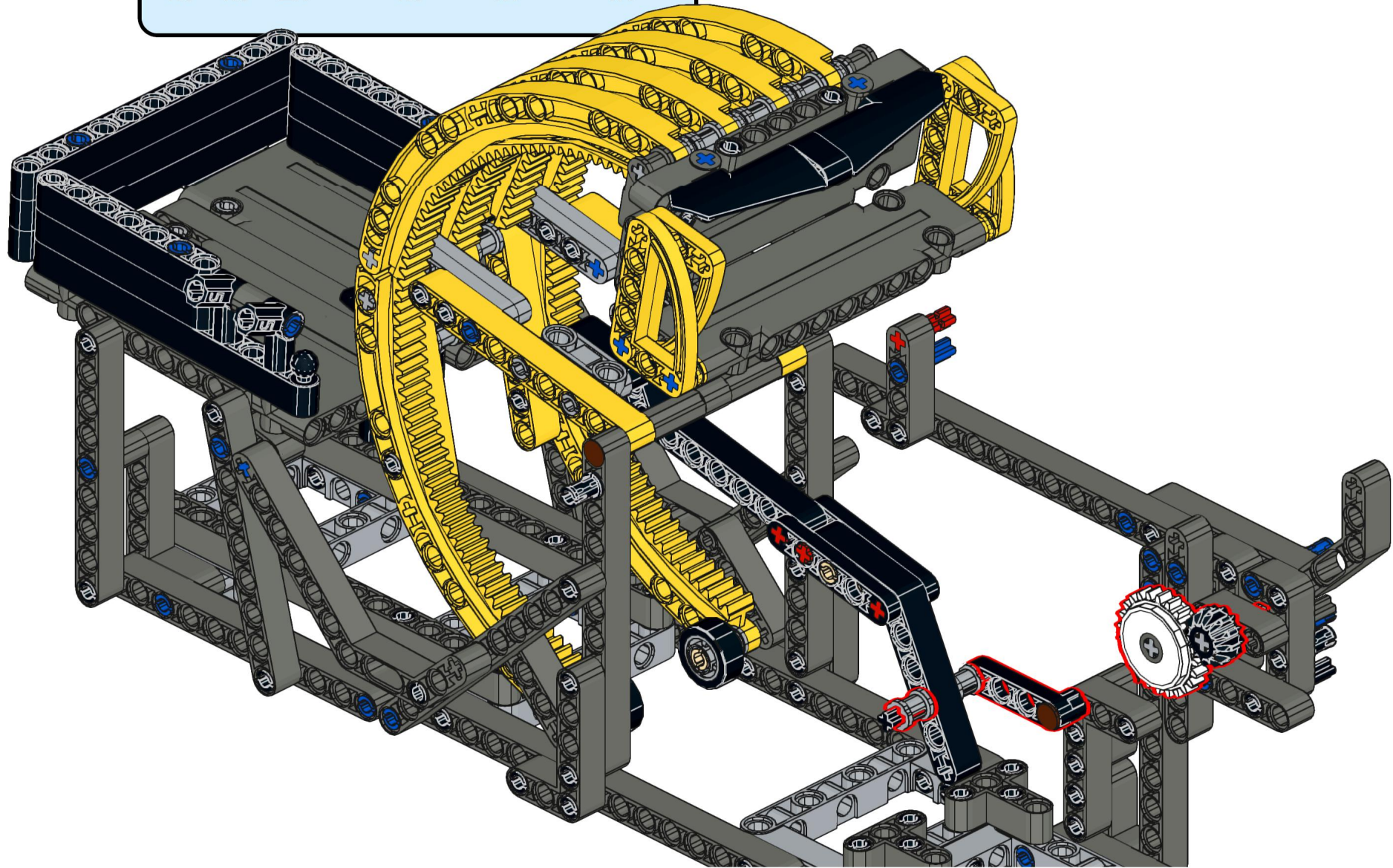
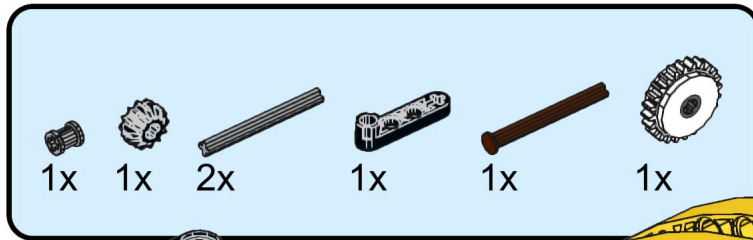
38



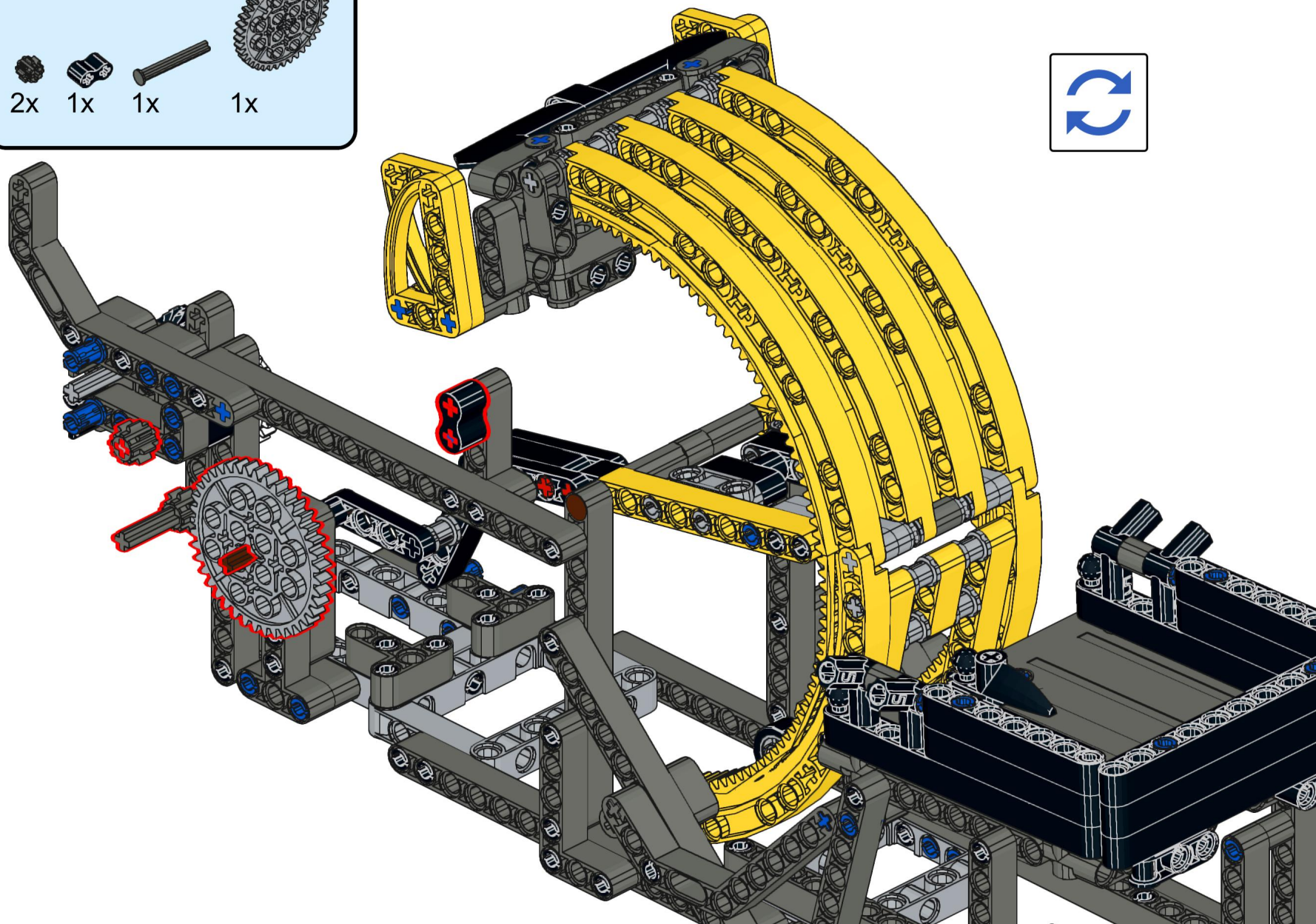
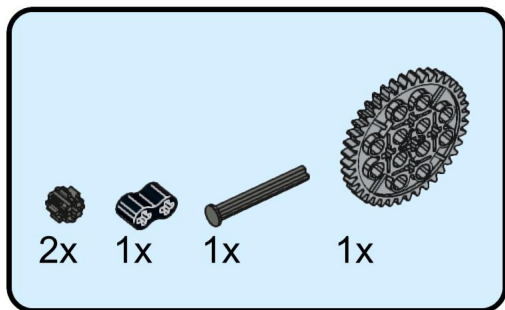
39



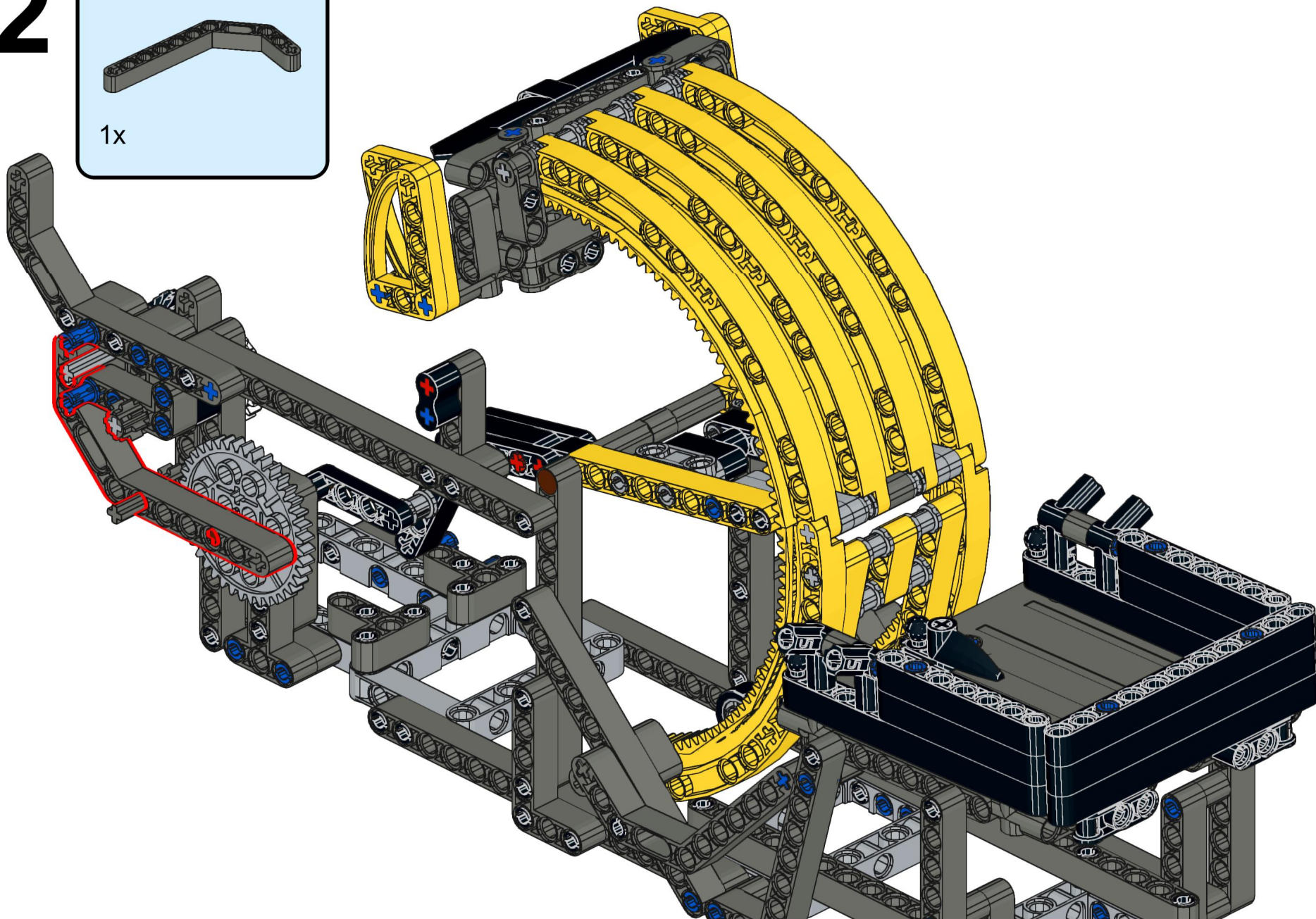
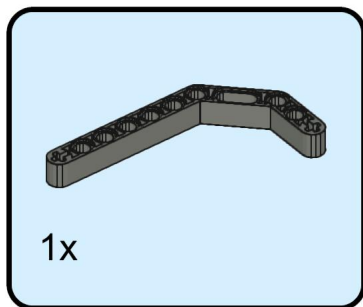
40



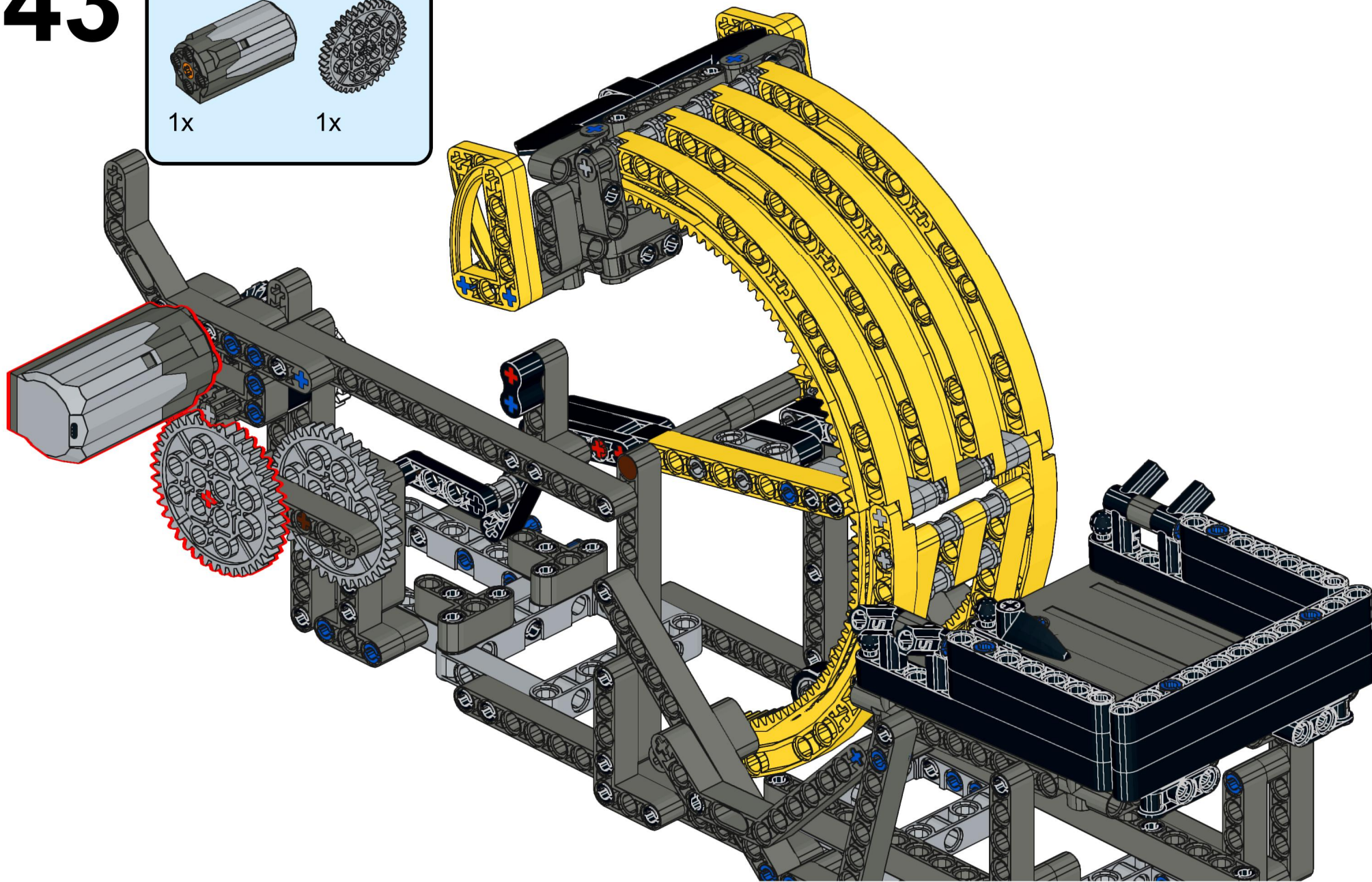
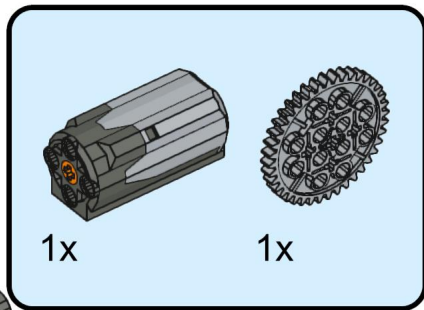
41



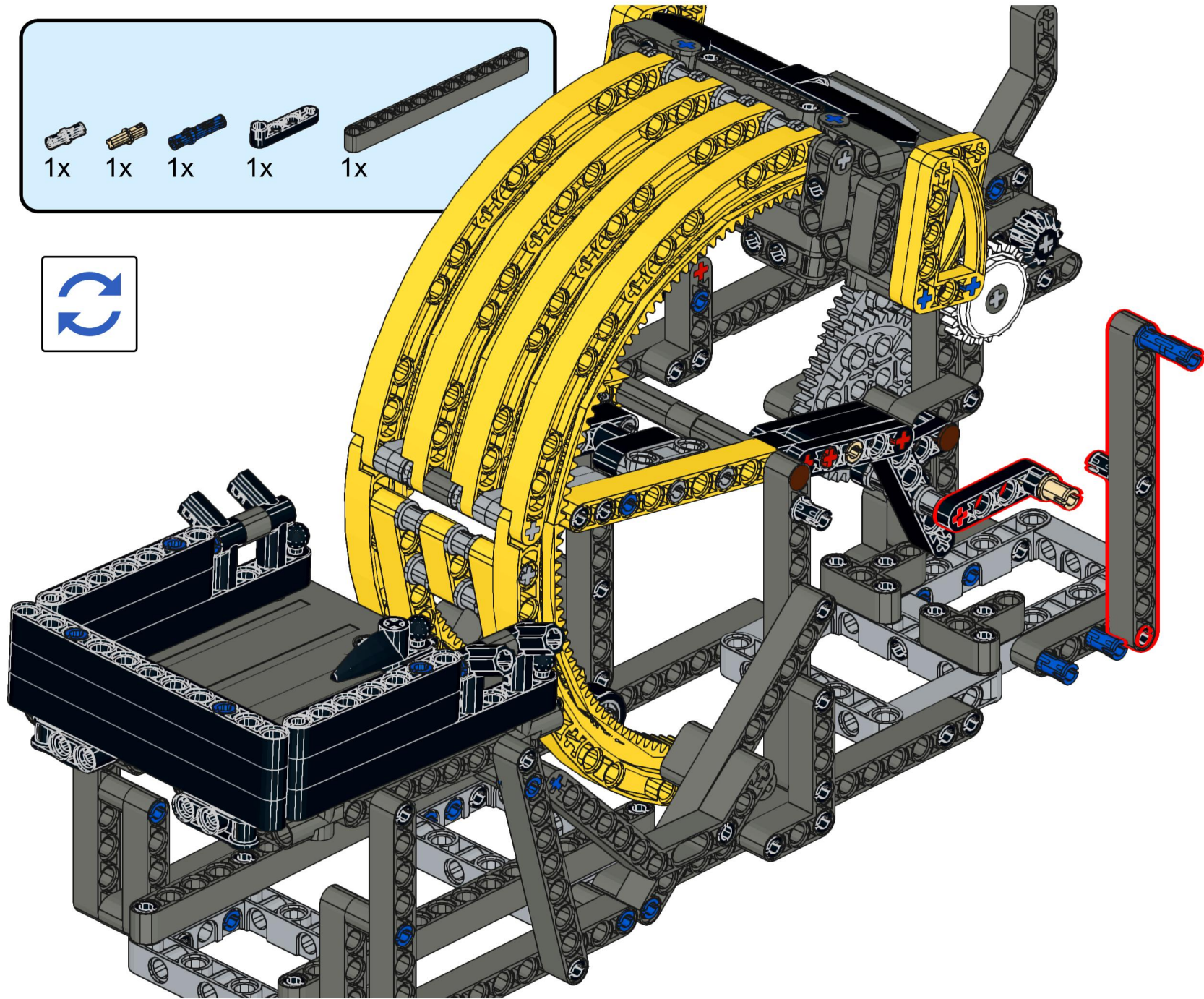
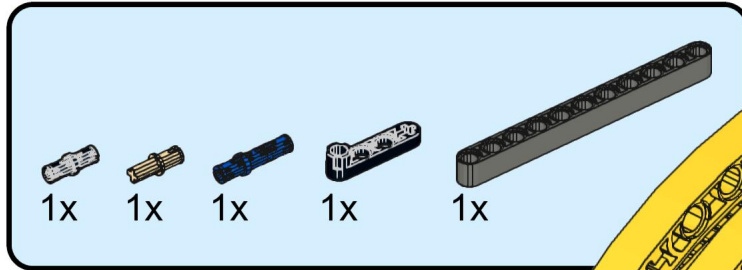
42



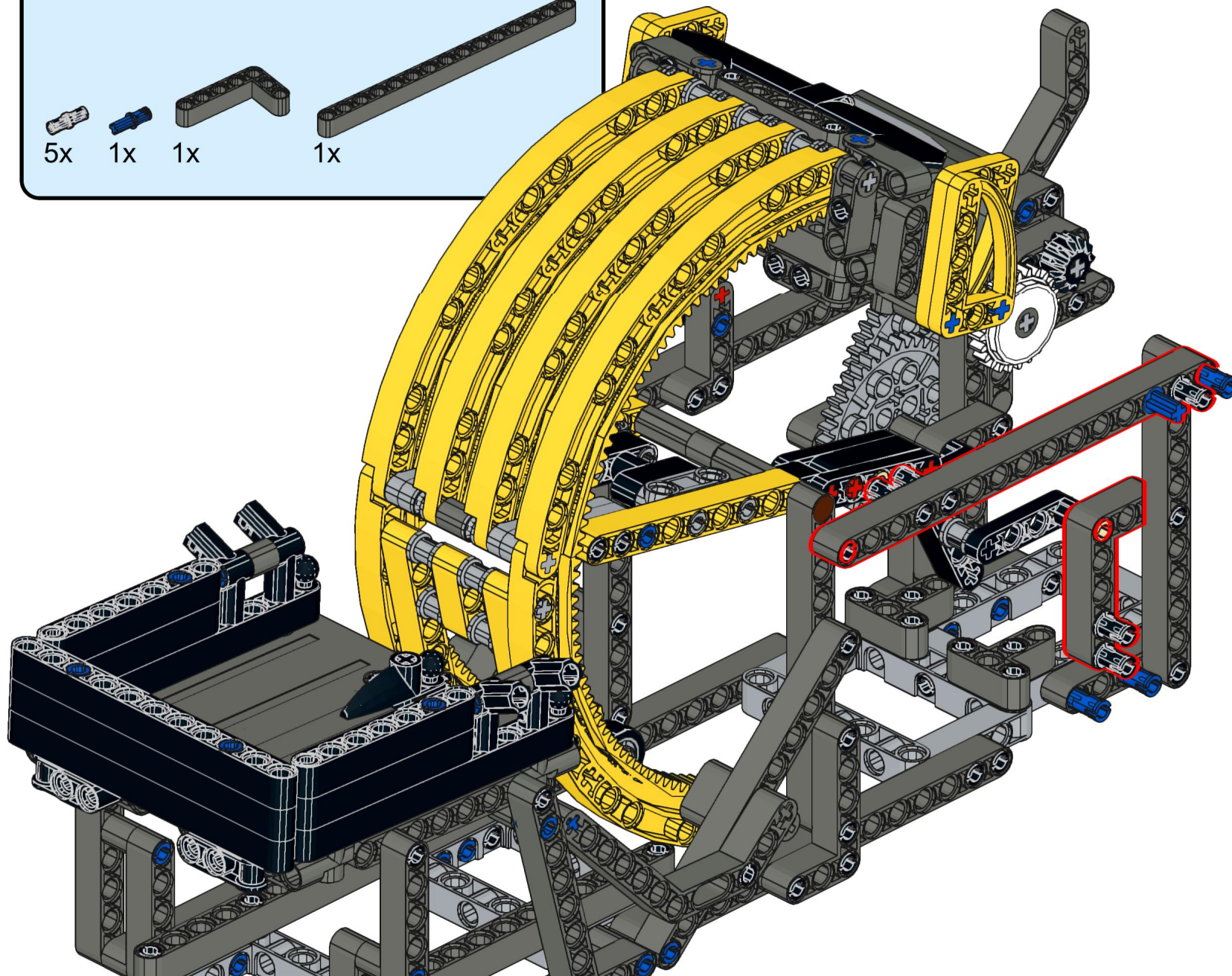
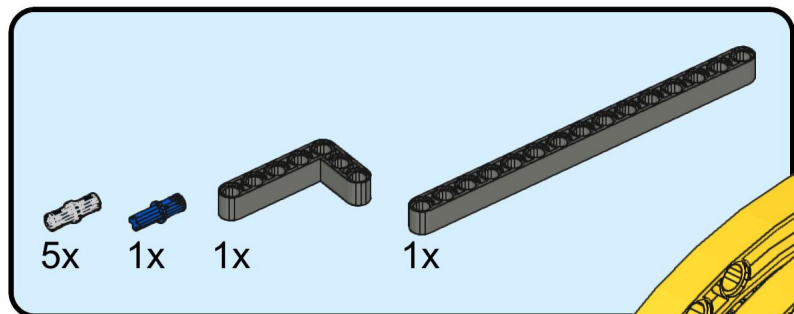
43



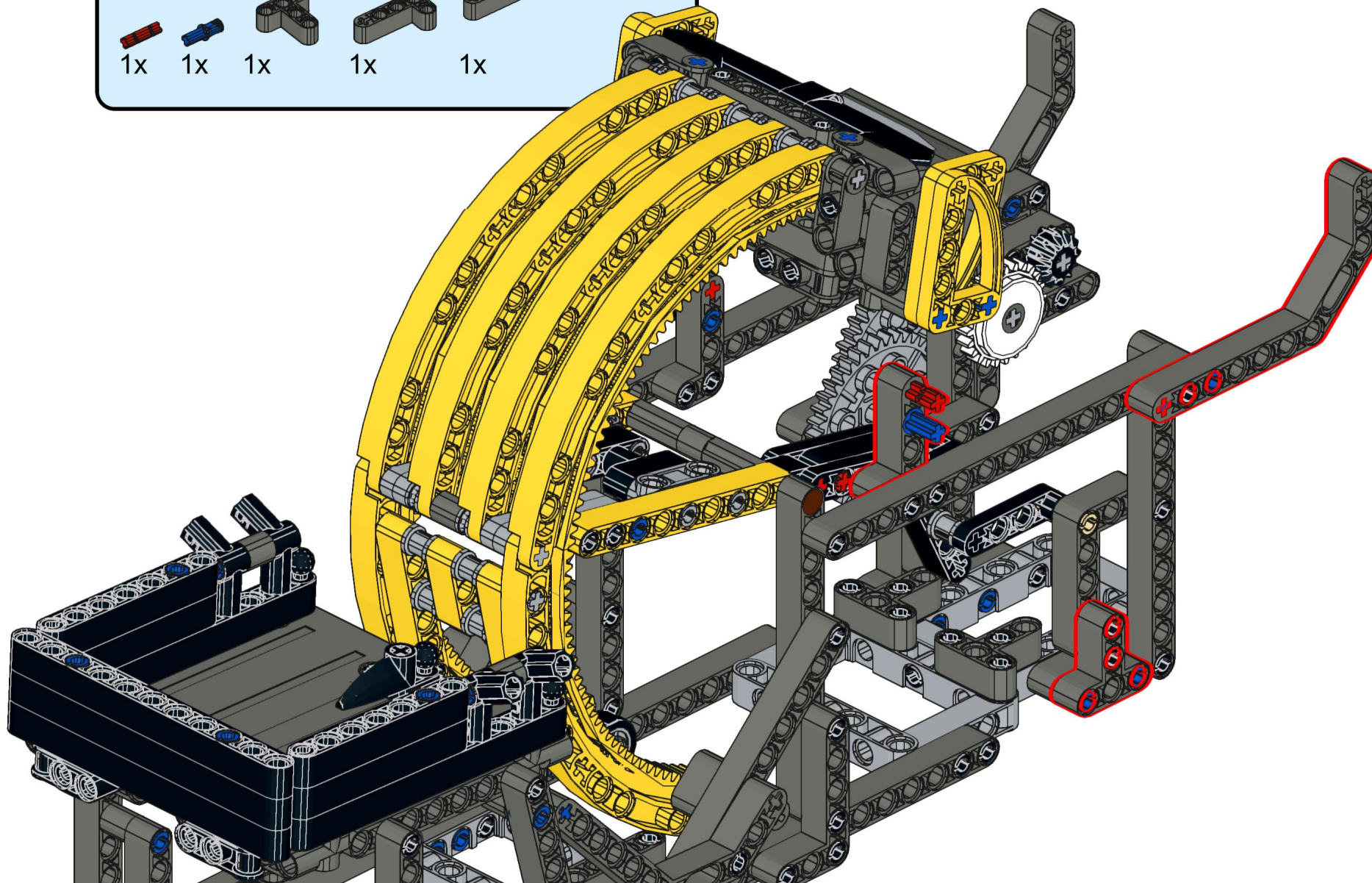
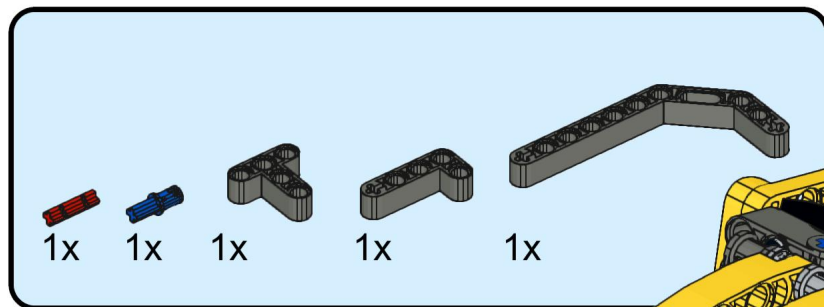
44



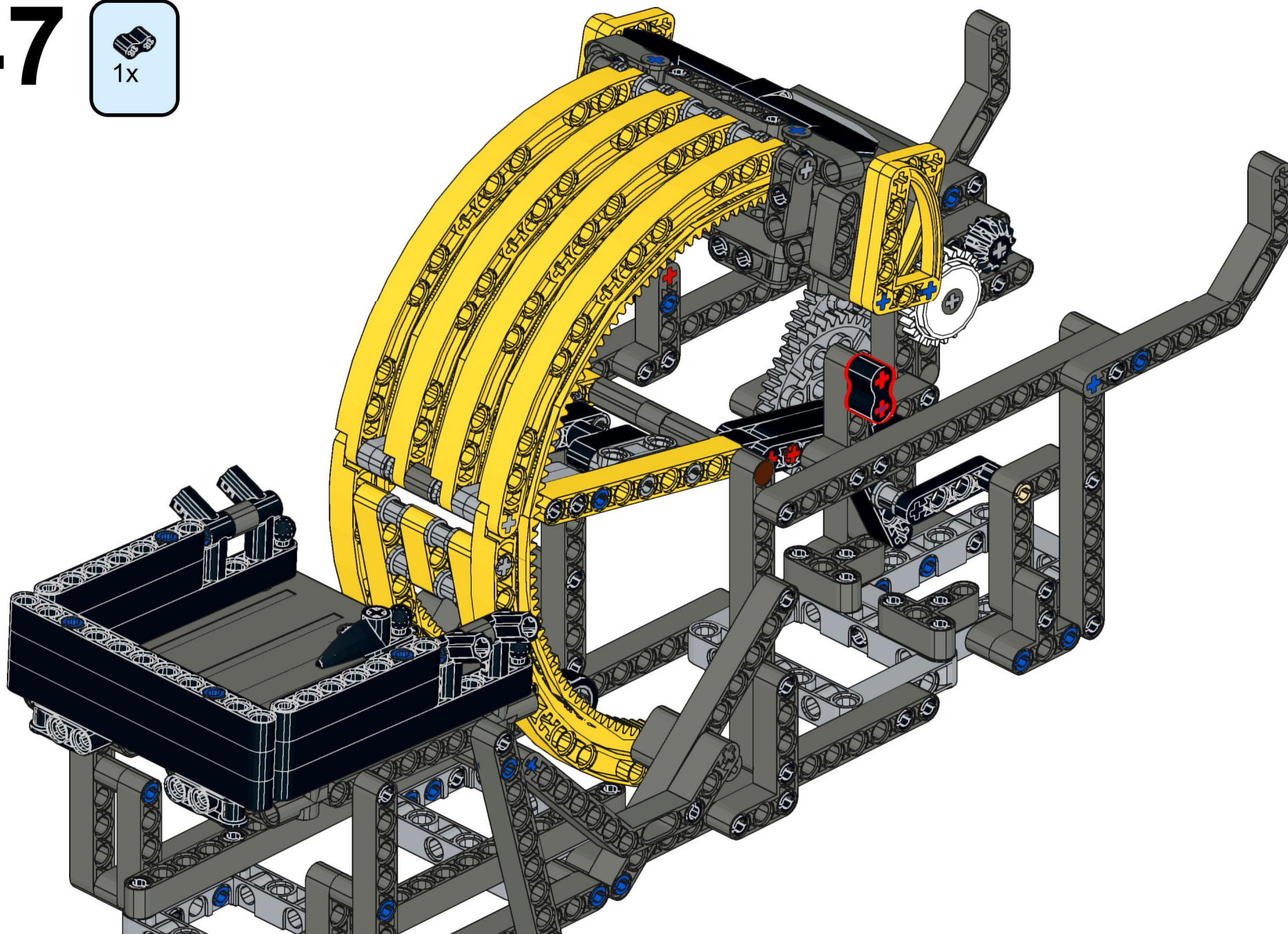
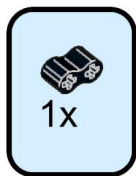
45



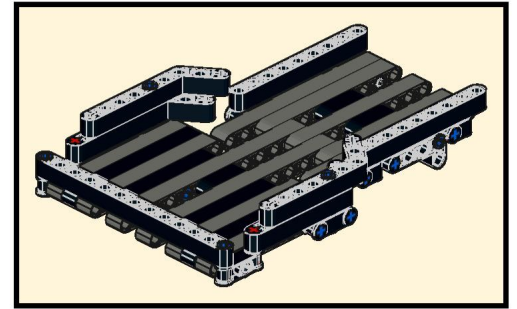
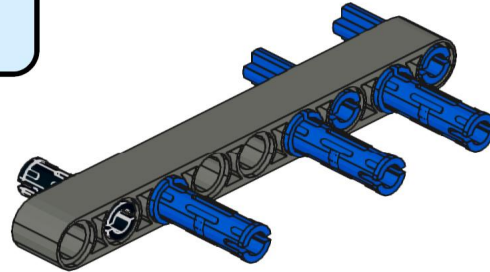
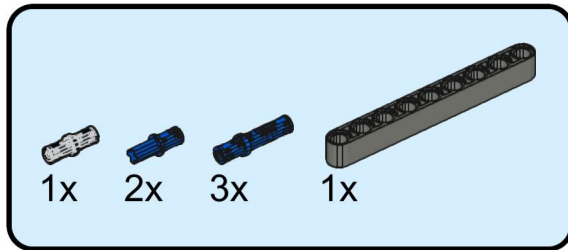
46



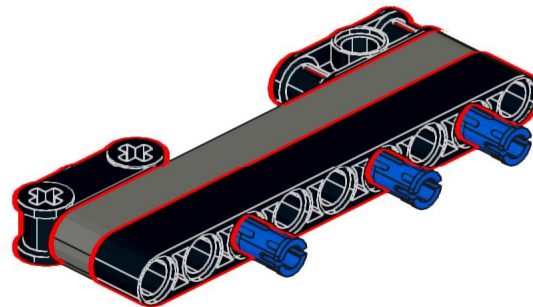
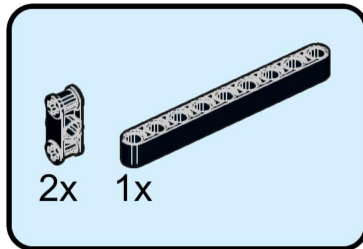
47



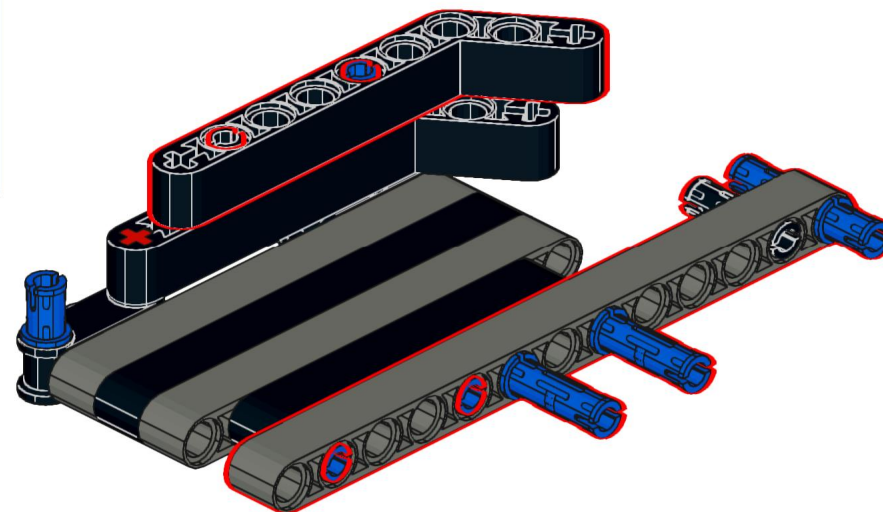
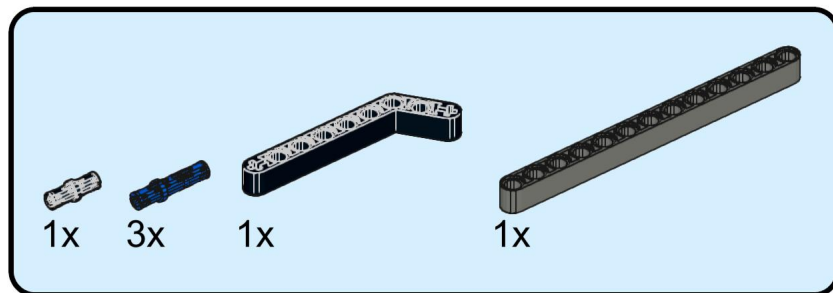
48



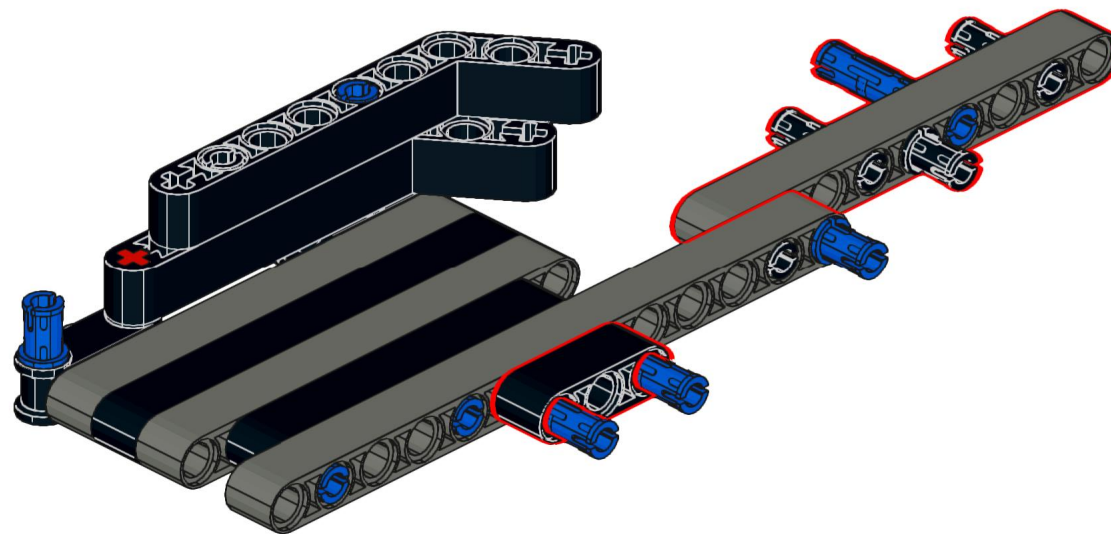
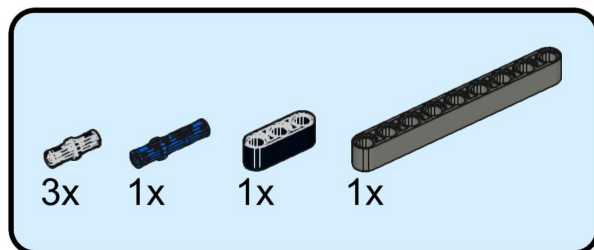
49



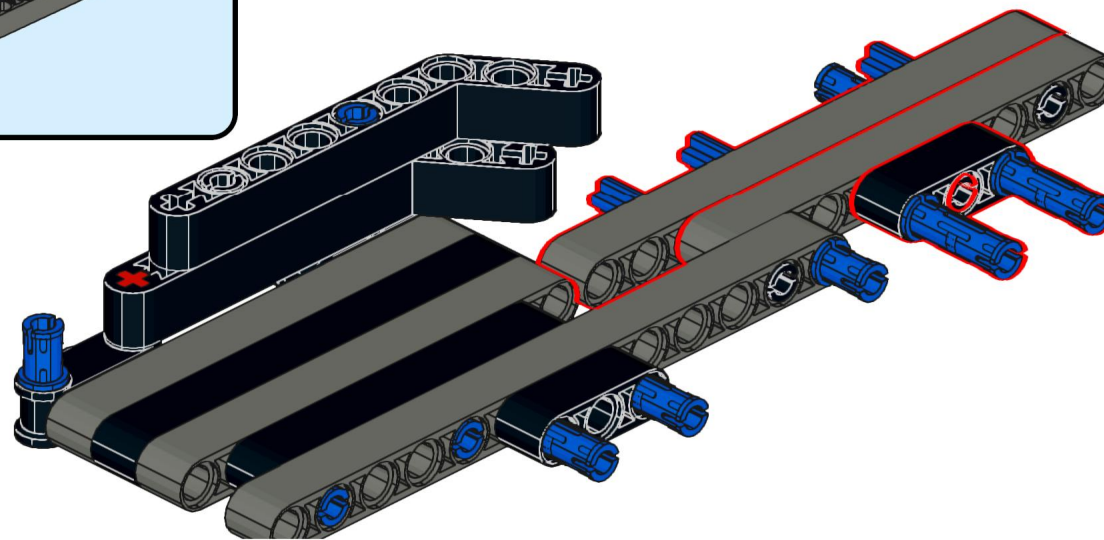
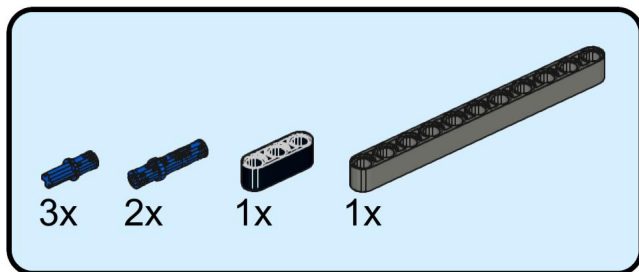
52



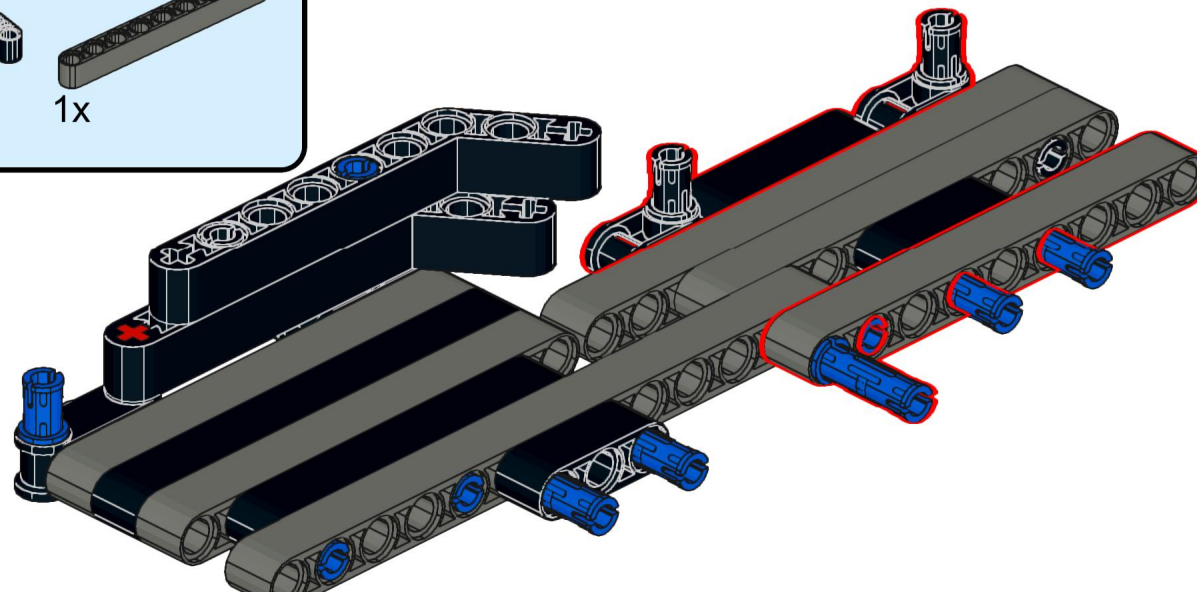
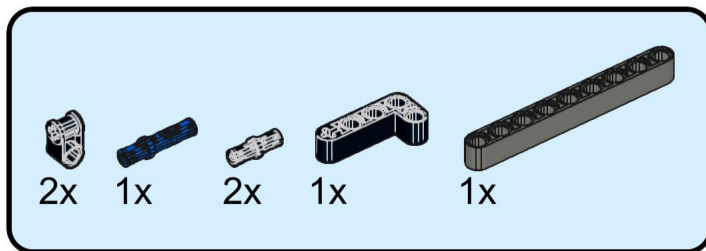
53



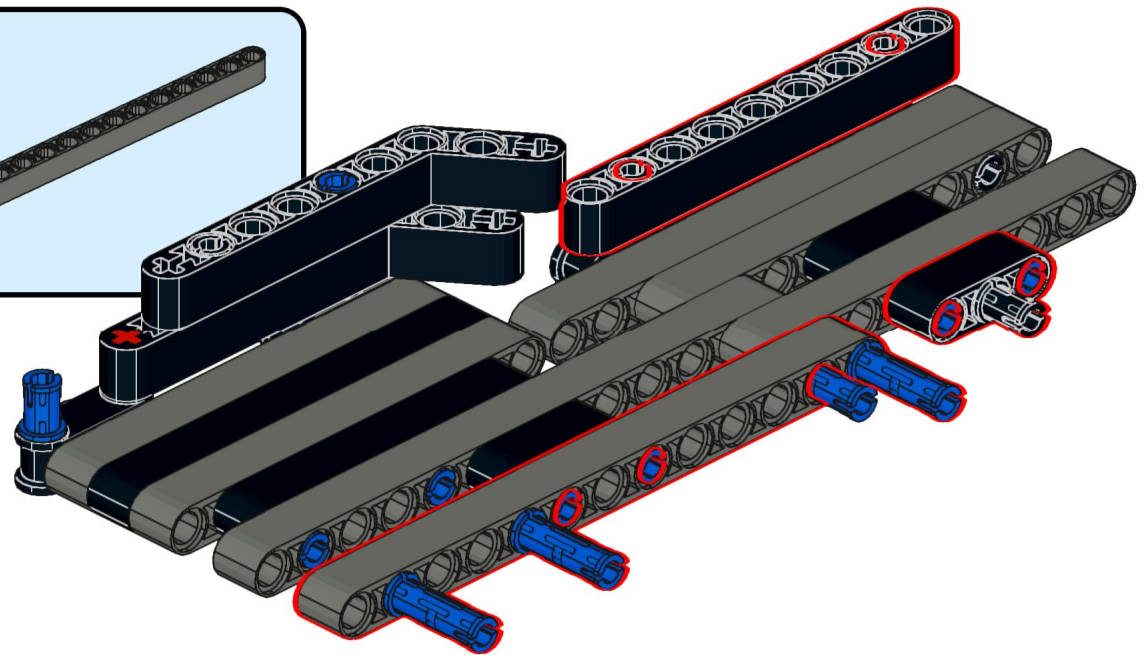
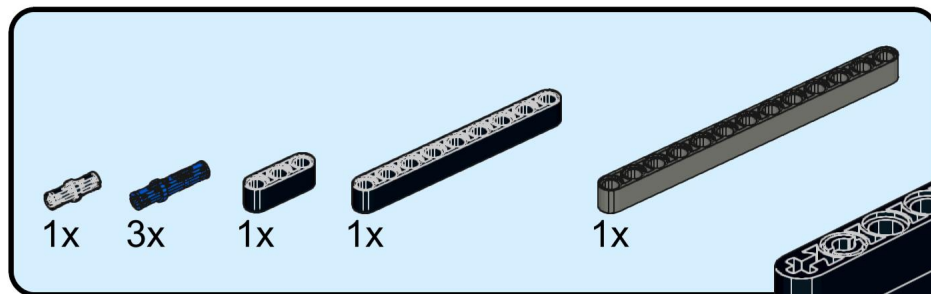
54



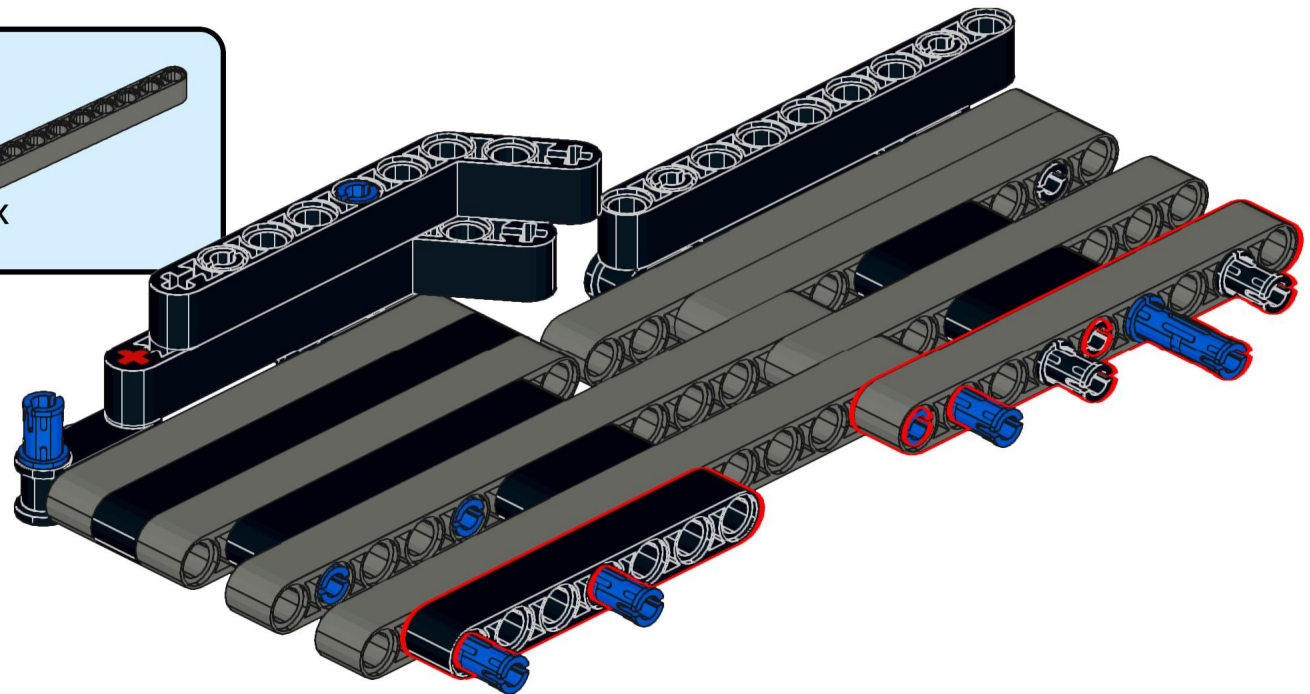
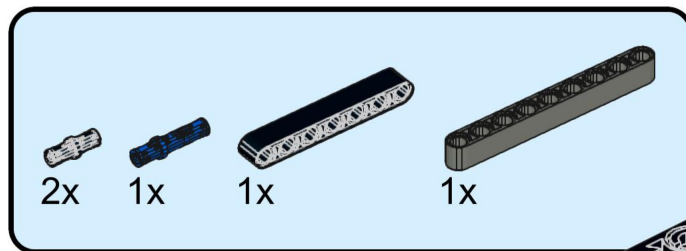
55



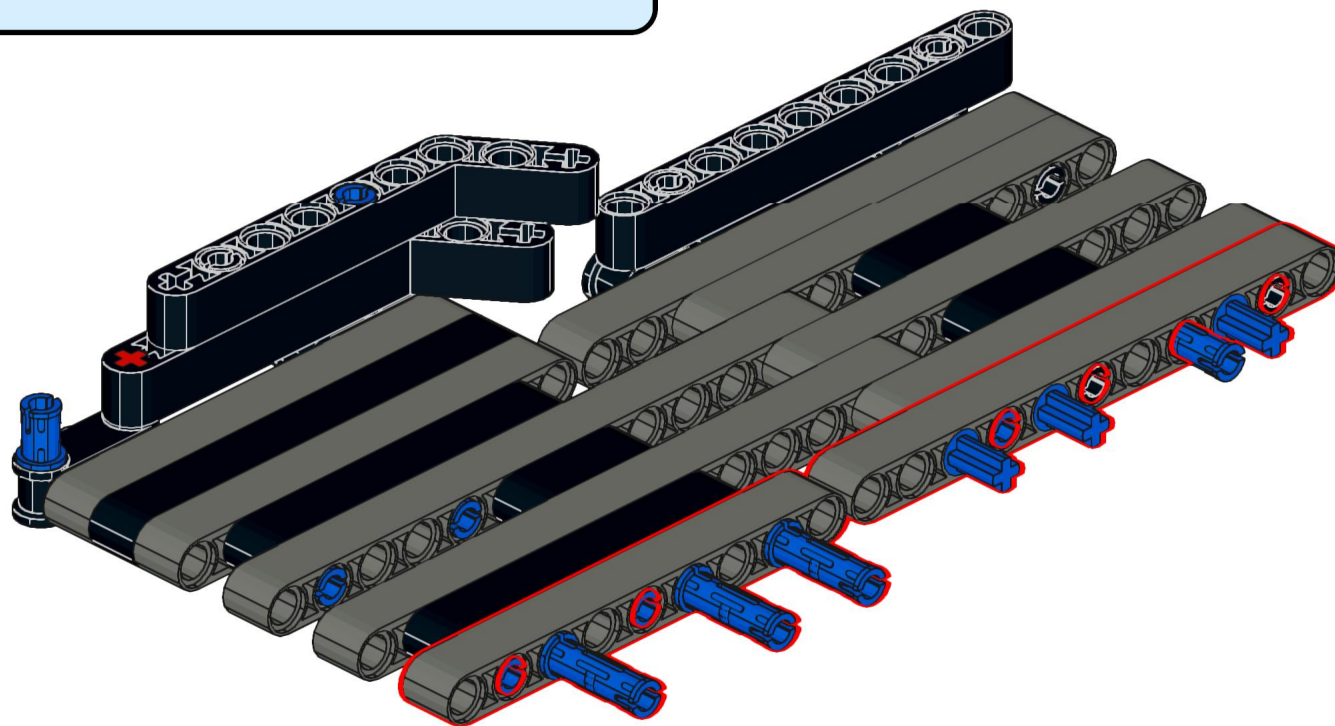
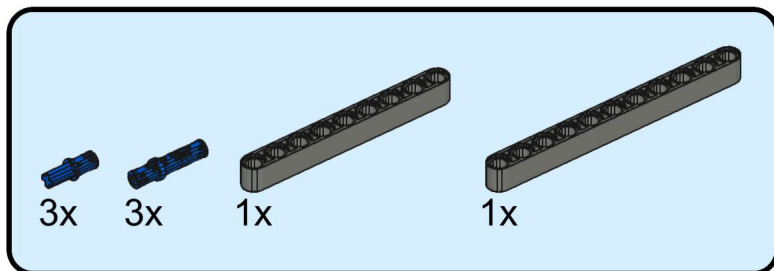
56



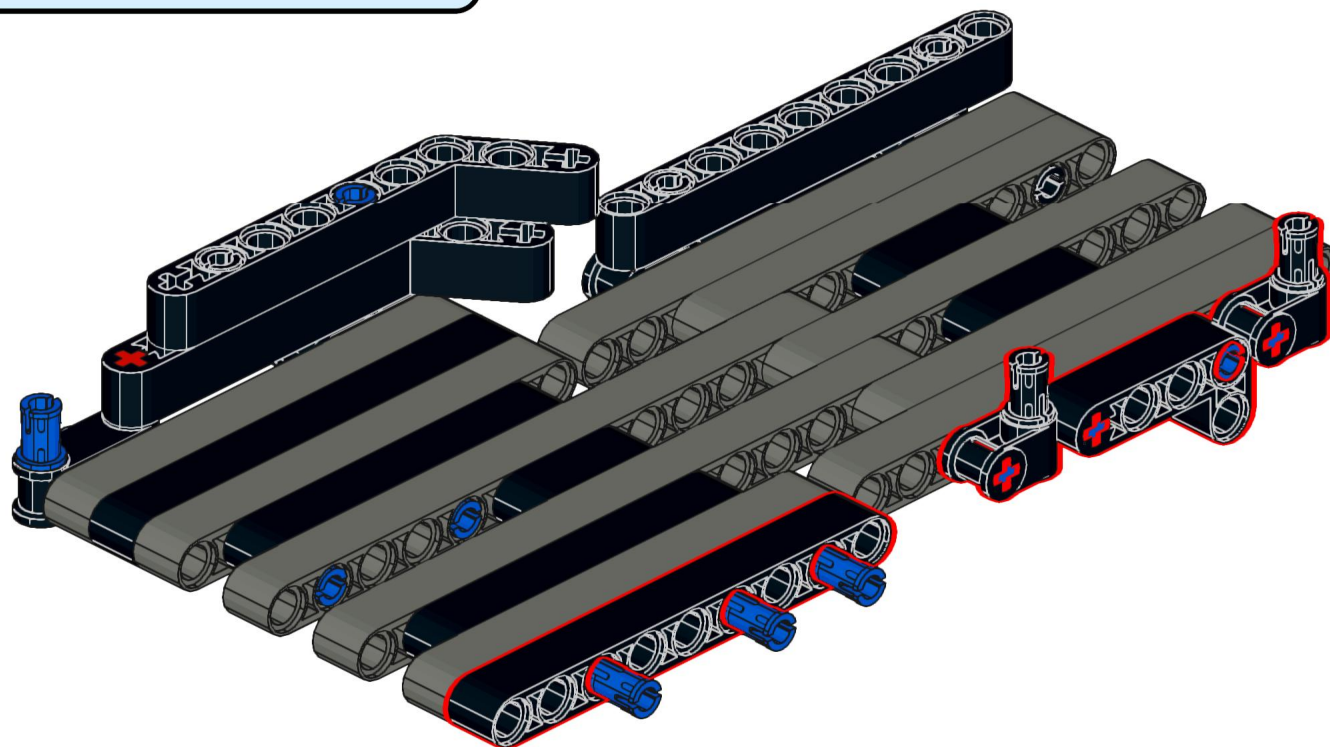
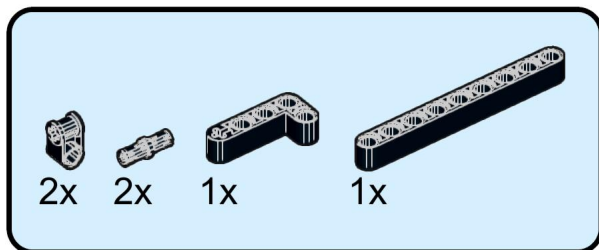
57



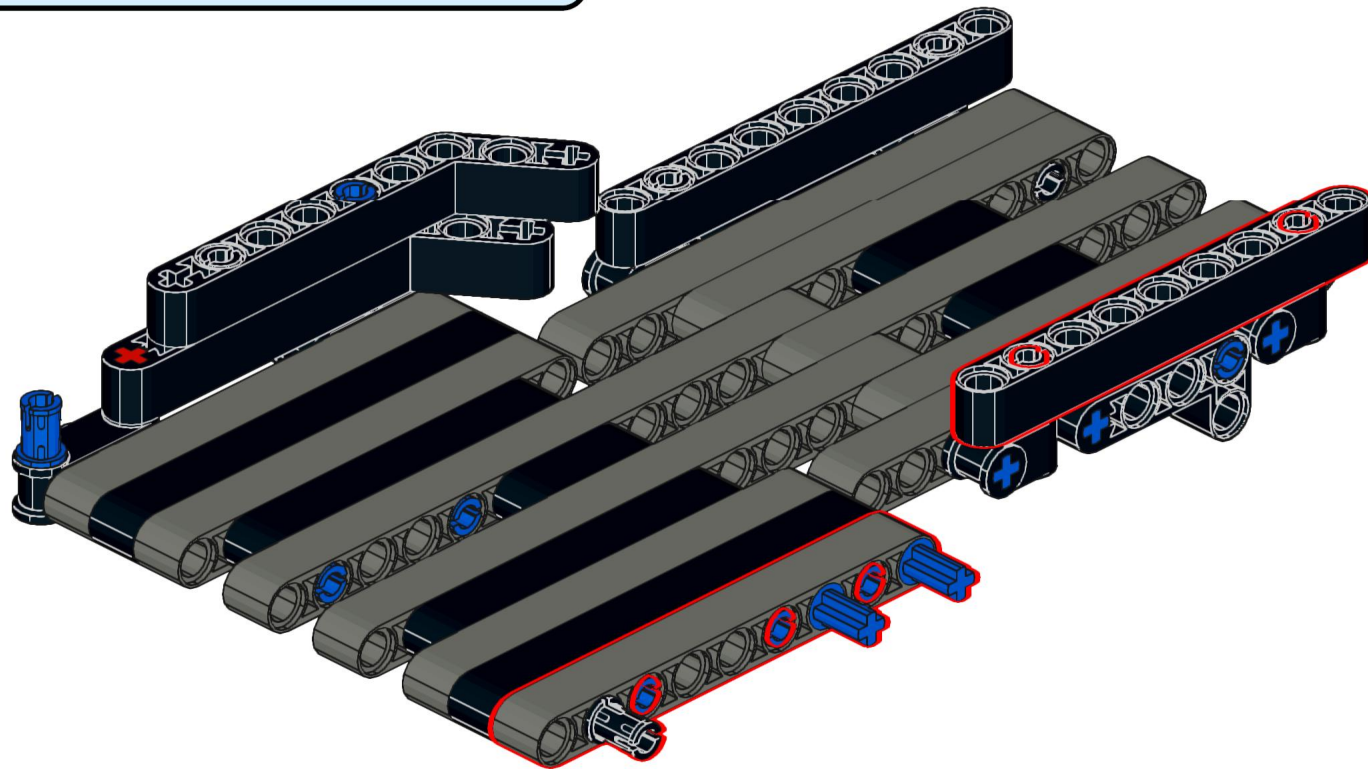
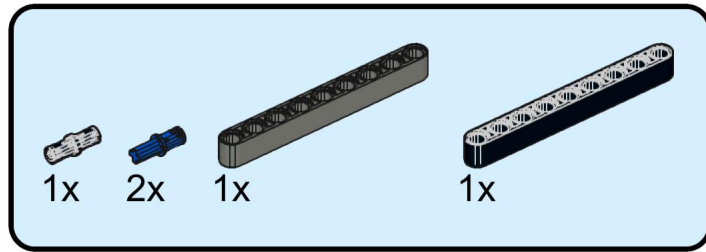
58



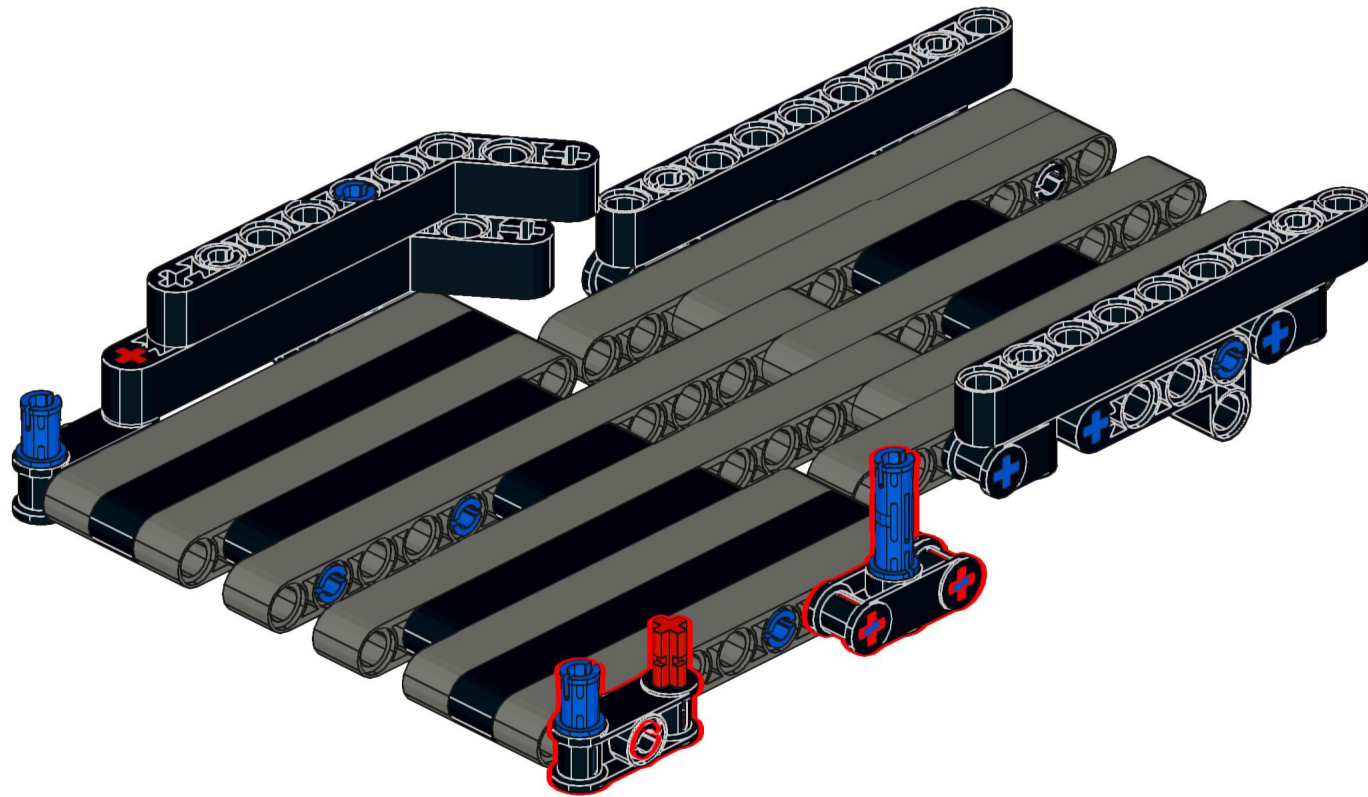
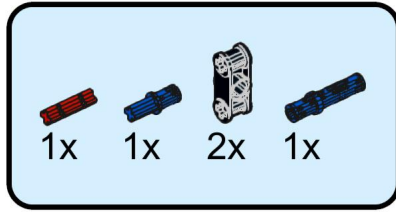
59



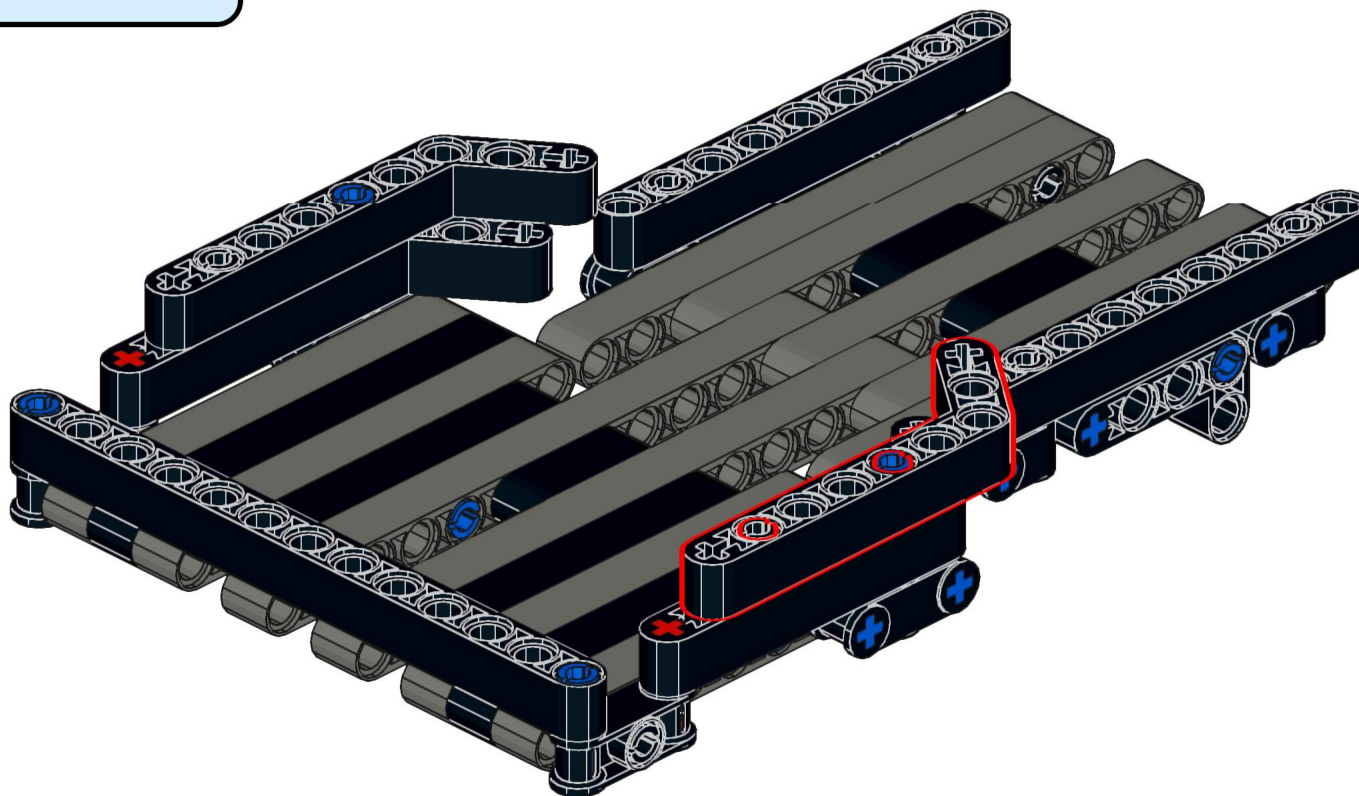
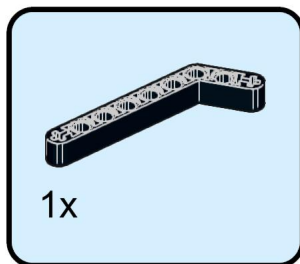
60

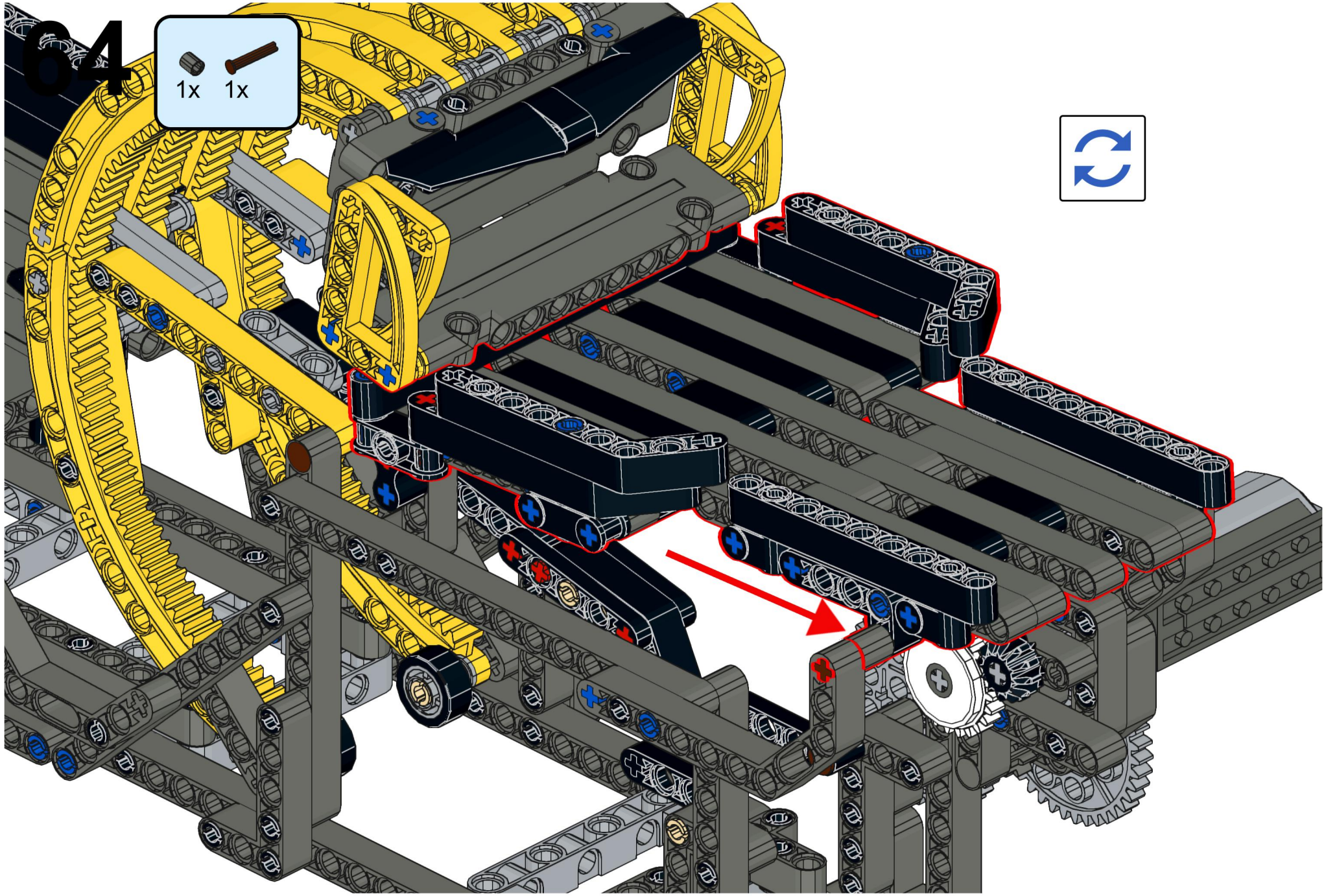


61

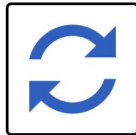


63





1x 1x



65

