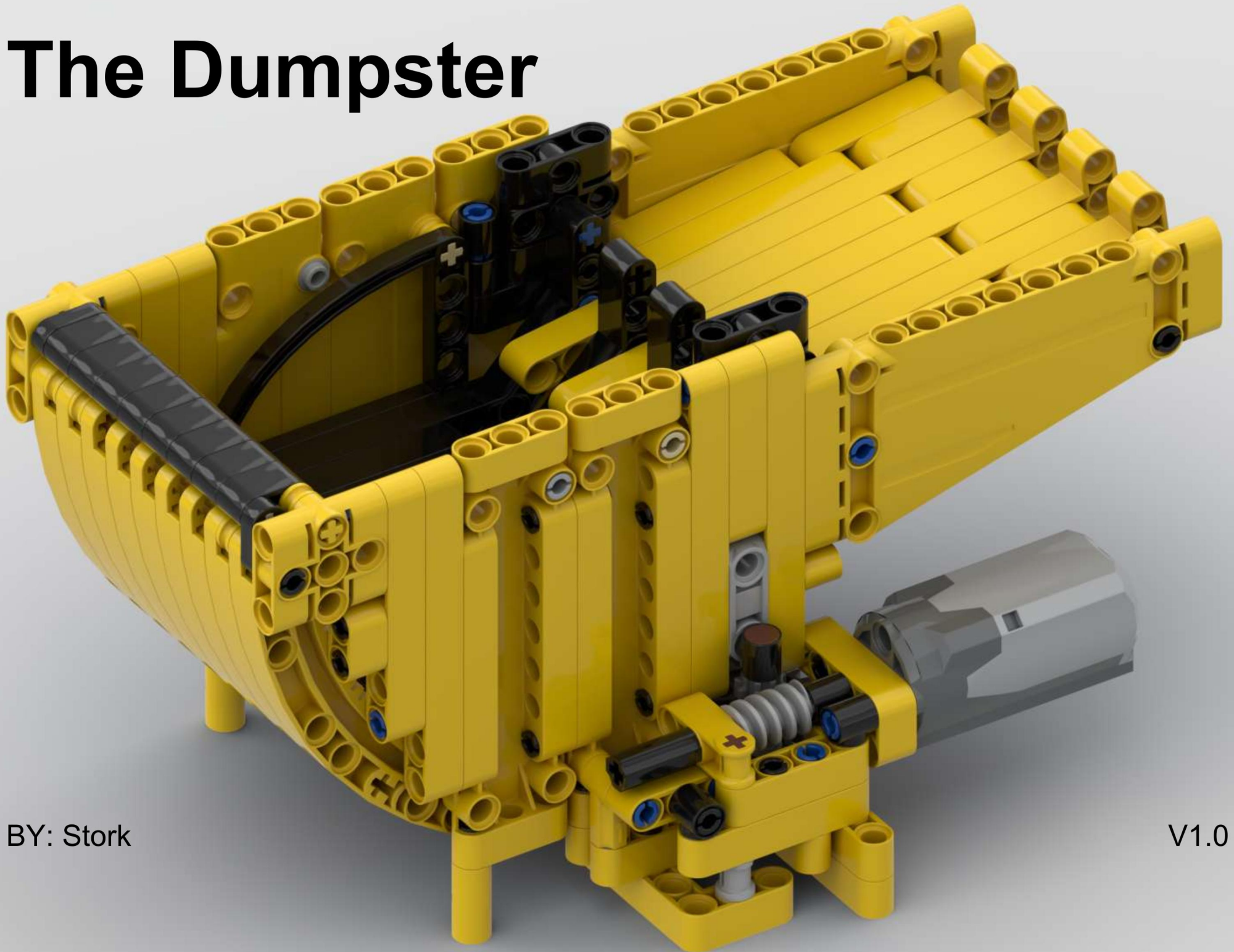


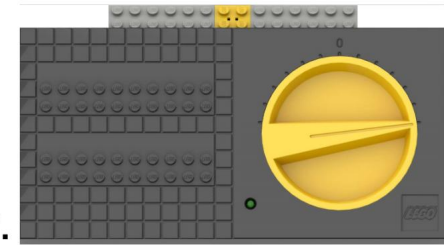
# The Dumpster



BY: Stork

V1.0

GBC Module - The Dumpster  
Copyright © 2020 by Staffan "Stork" Ihl  
staffan(AT)brickselectric.se  
Created with Studio 2.0



All my modules are designed to run with max speed on the regulator.

For more instructions and other GBC related information please visit Planet GBC:

<http://www.planet-gbc.com/>

# Planet GBC

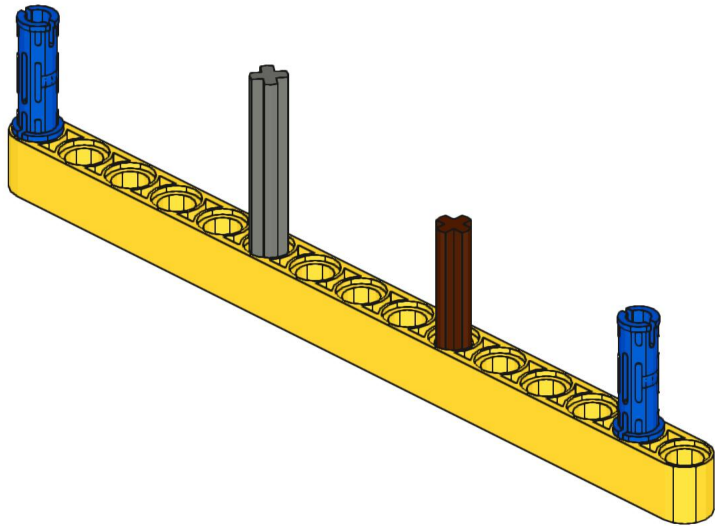
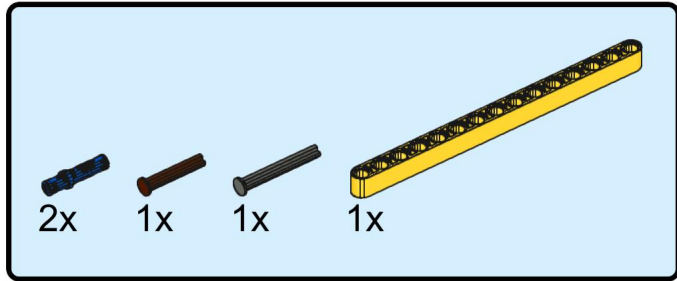


**Build the Best LEGO®  
Great Ball Contraptions**

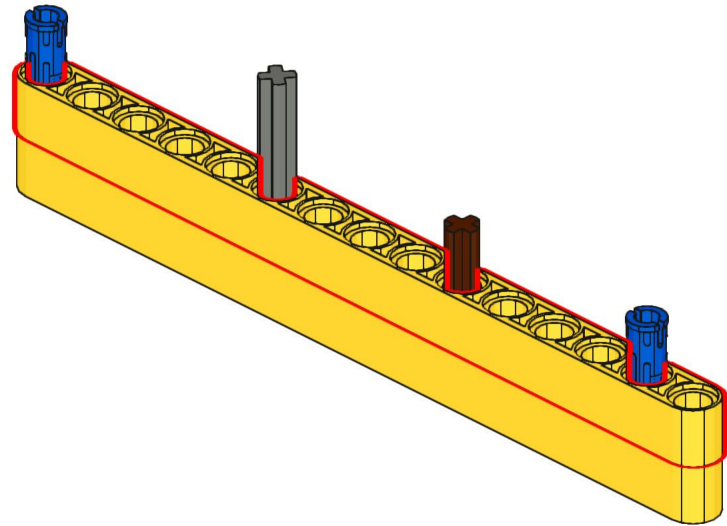
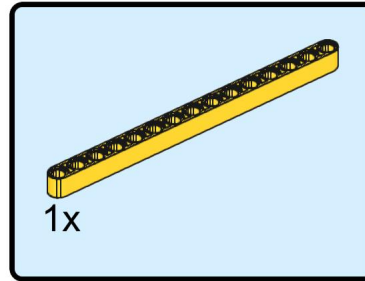
These instructions are for personal and non-profit use only.  
Instructions may not be sold or used for any commercial purposes.

LEGO® is a registered trademark of The Lego Group which does not sponsor, endorse or authorize these instructions or the model they depict.

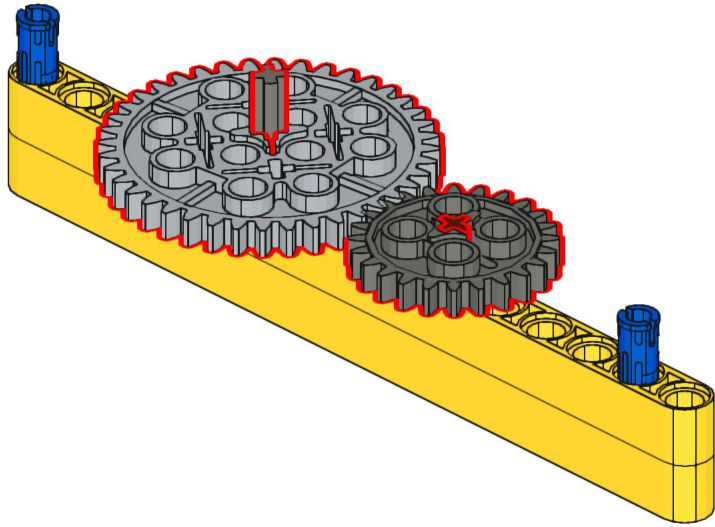
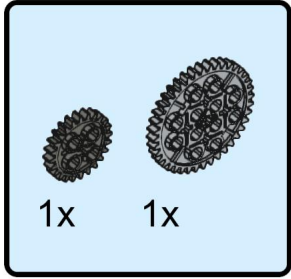
# 1



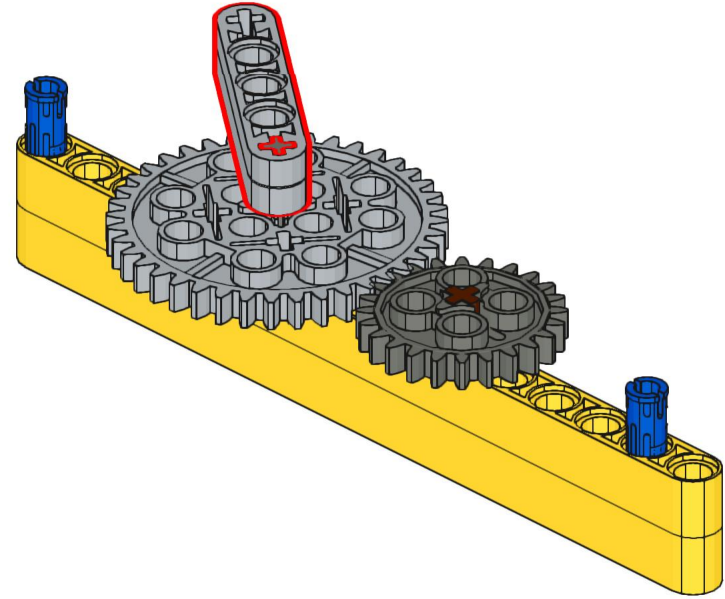
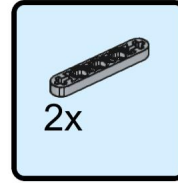
# 2



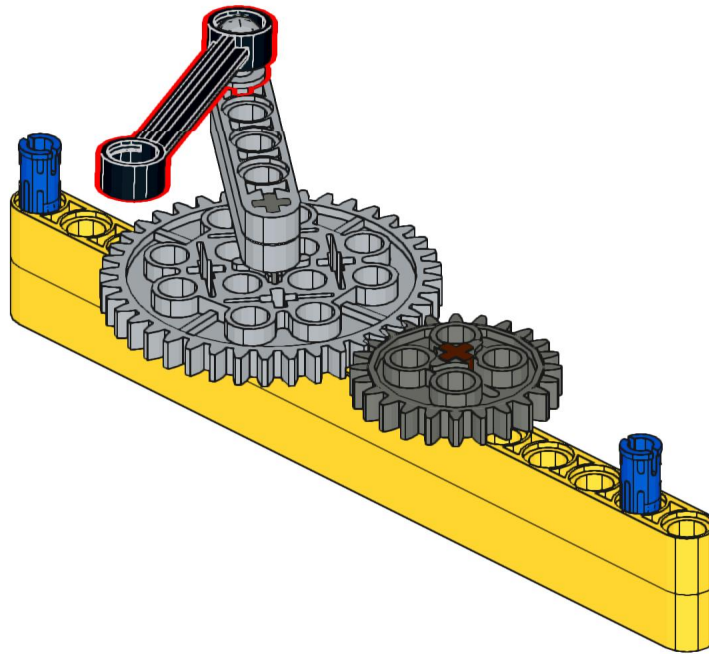
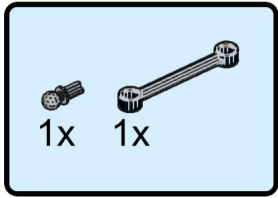
3



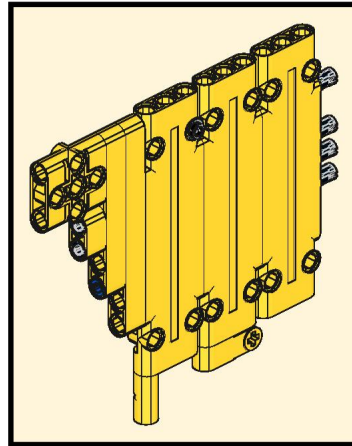
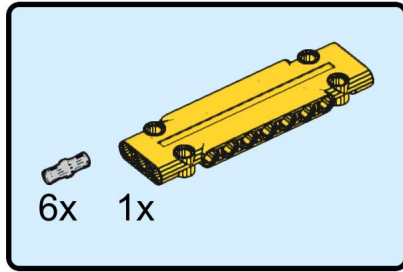
4



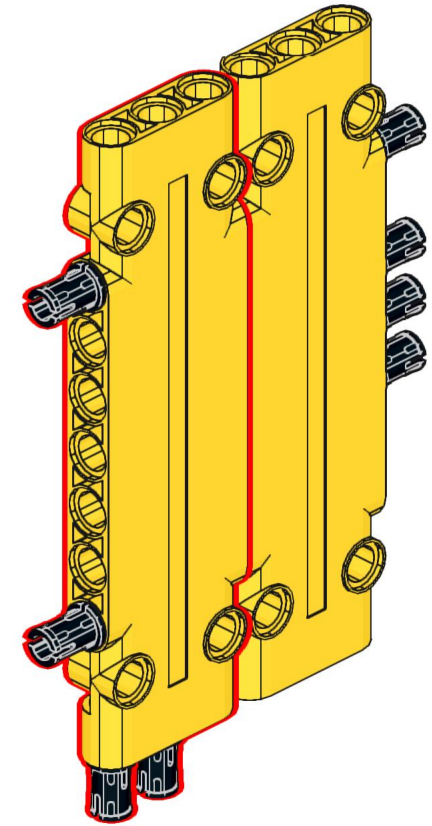
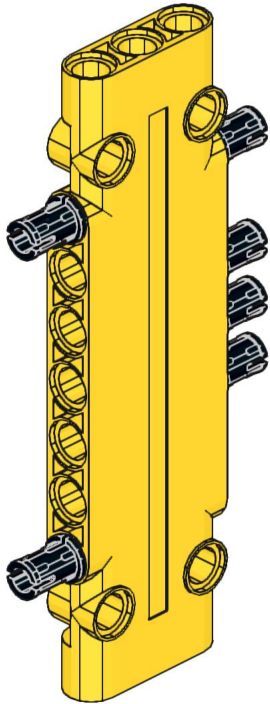
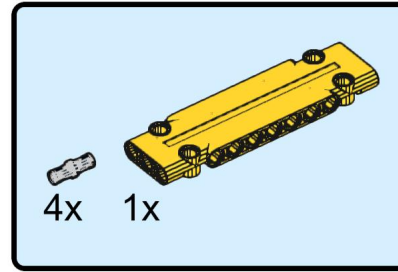
# 5



6

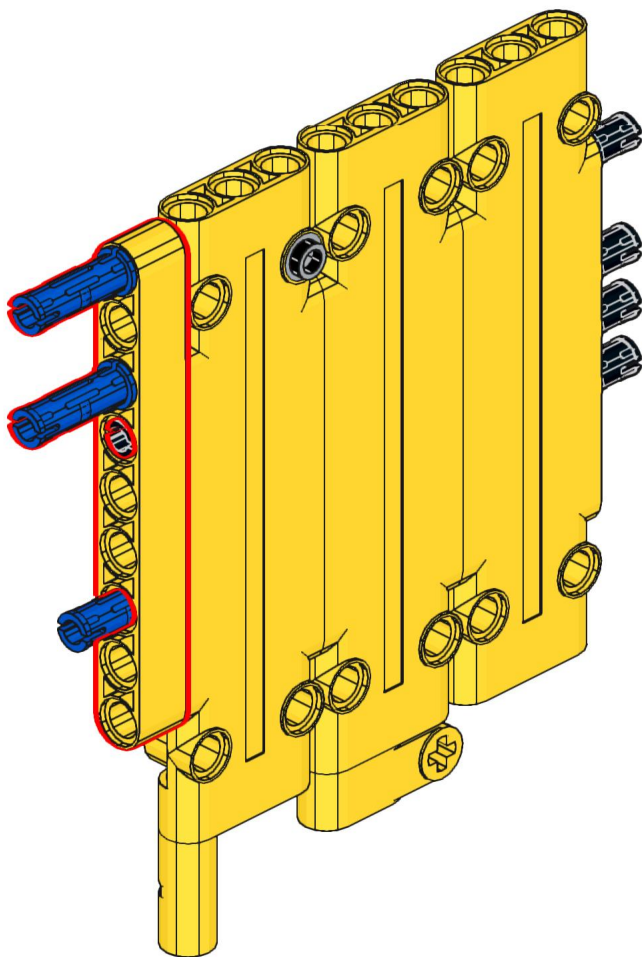
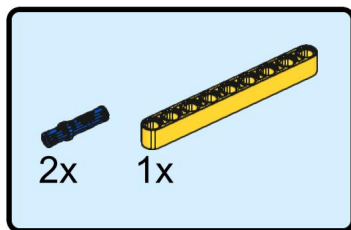


7

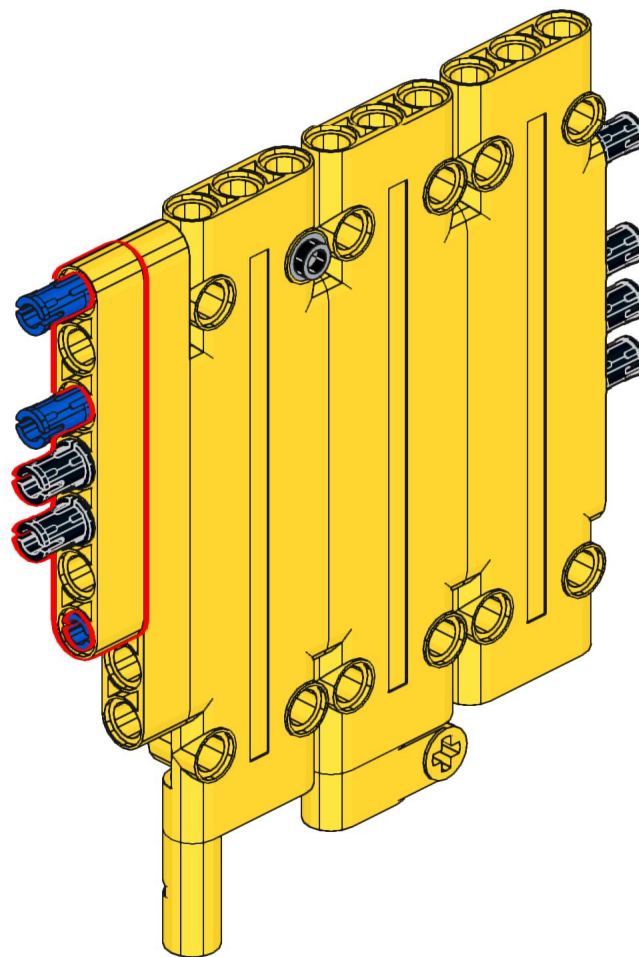
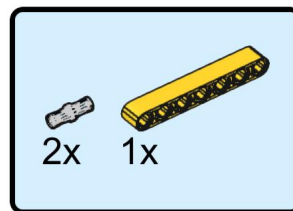




# 10

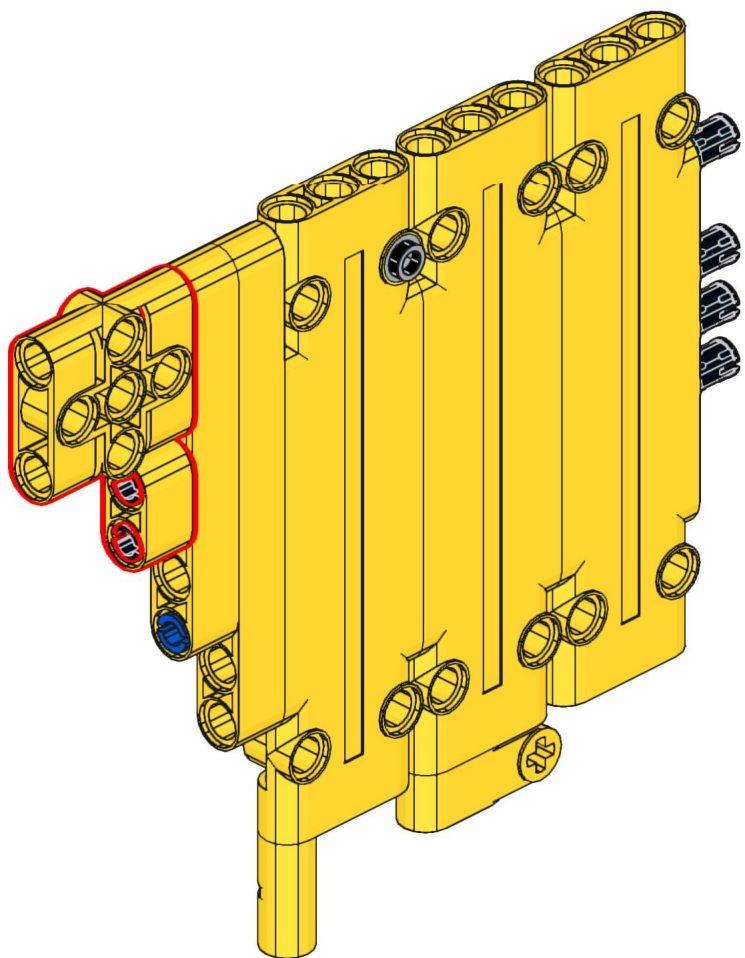
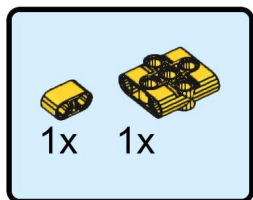


# 11

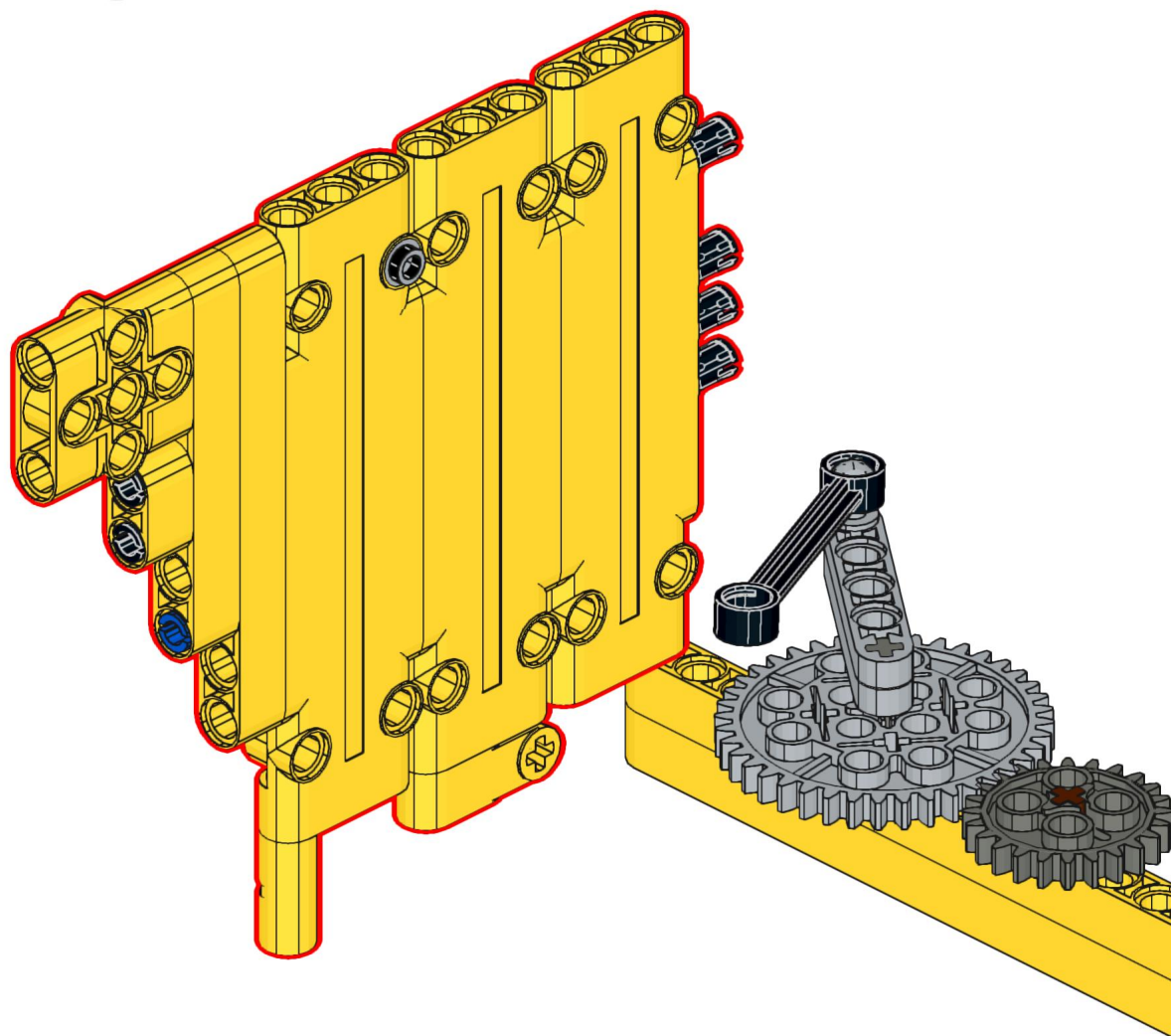




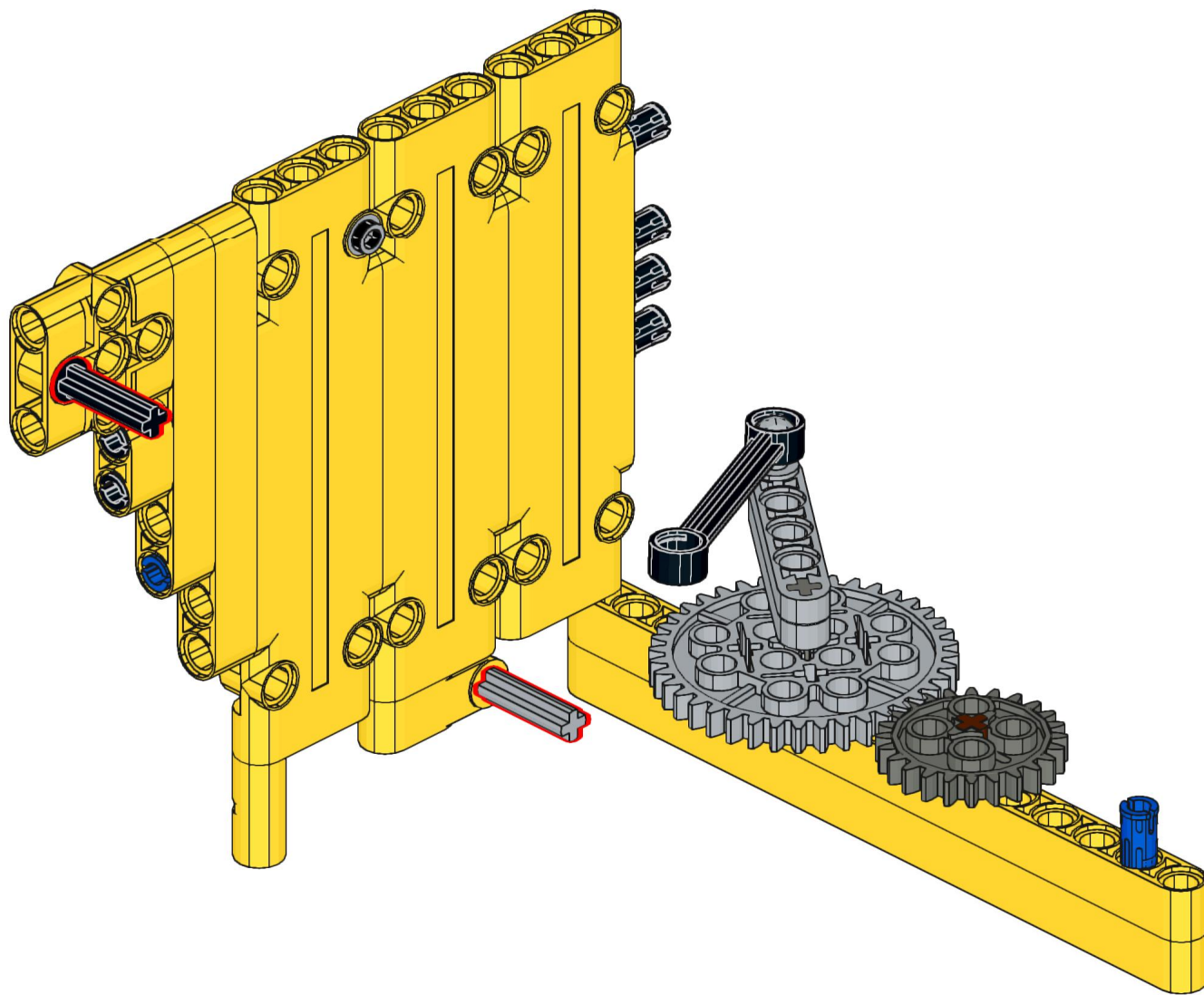
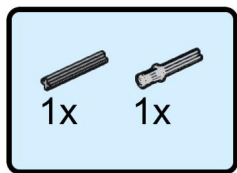
# 12



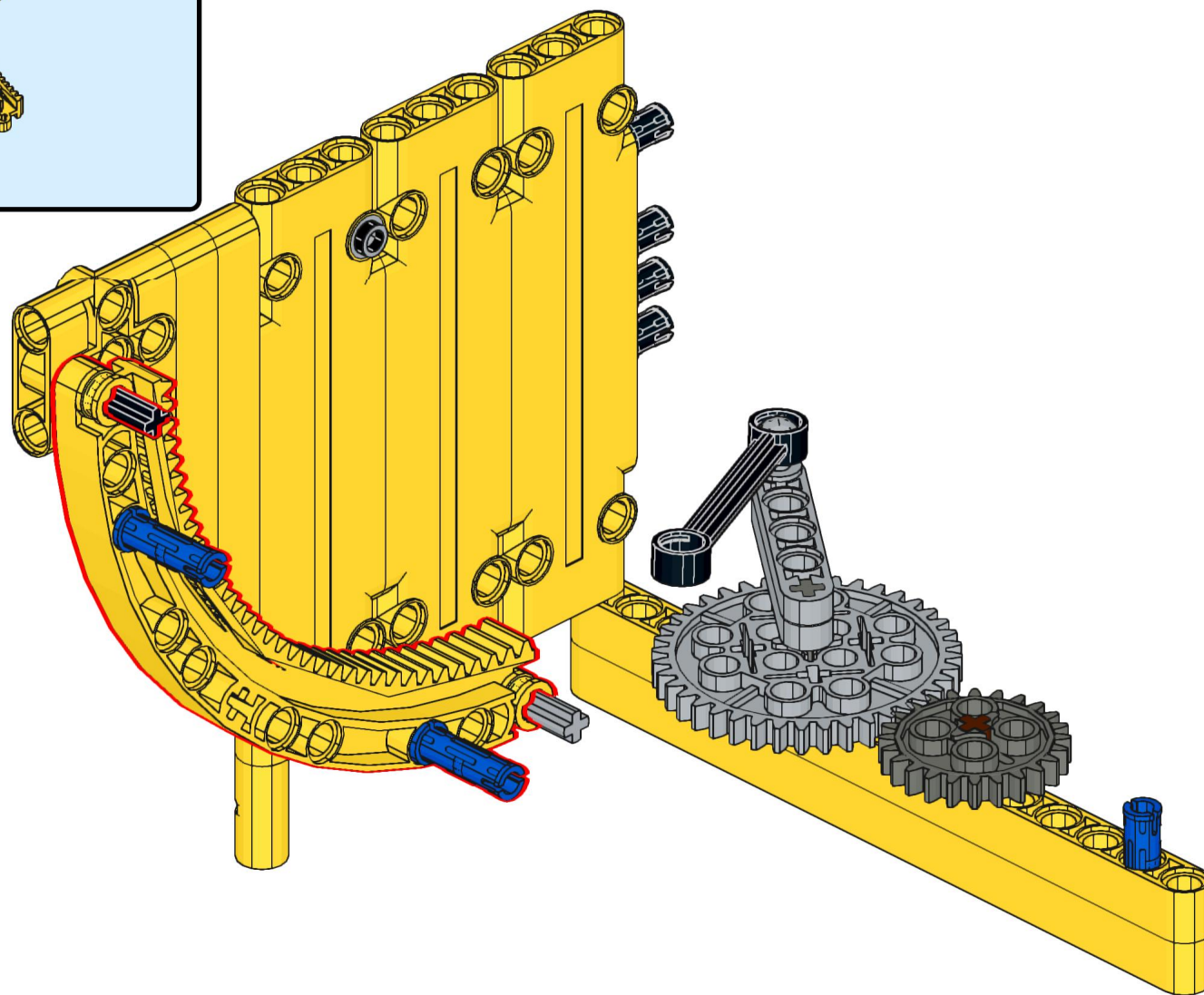
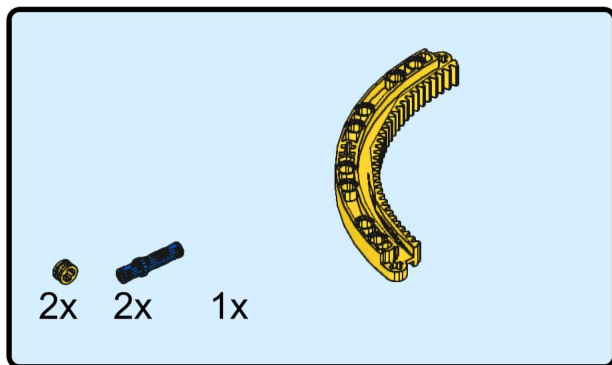
# 13



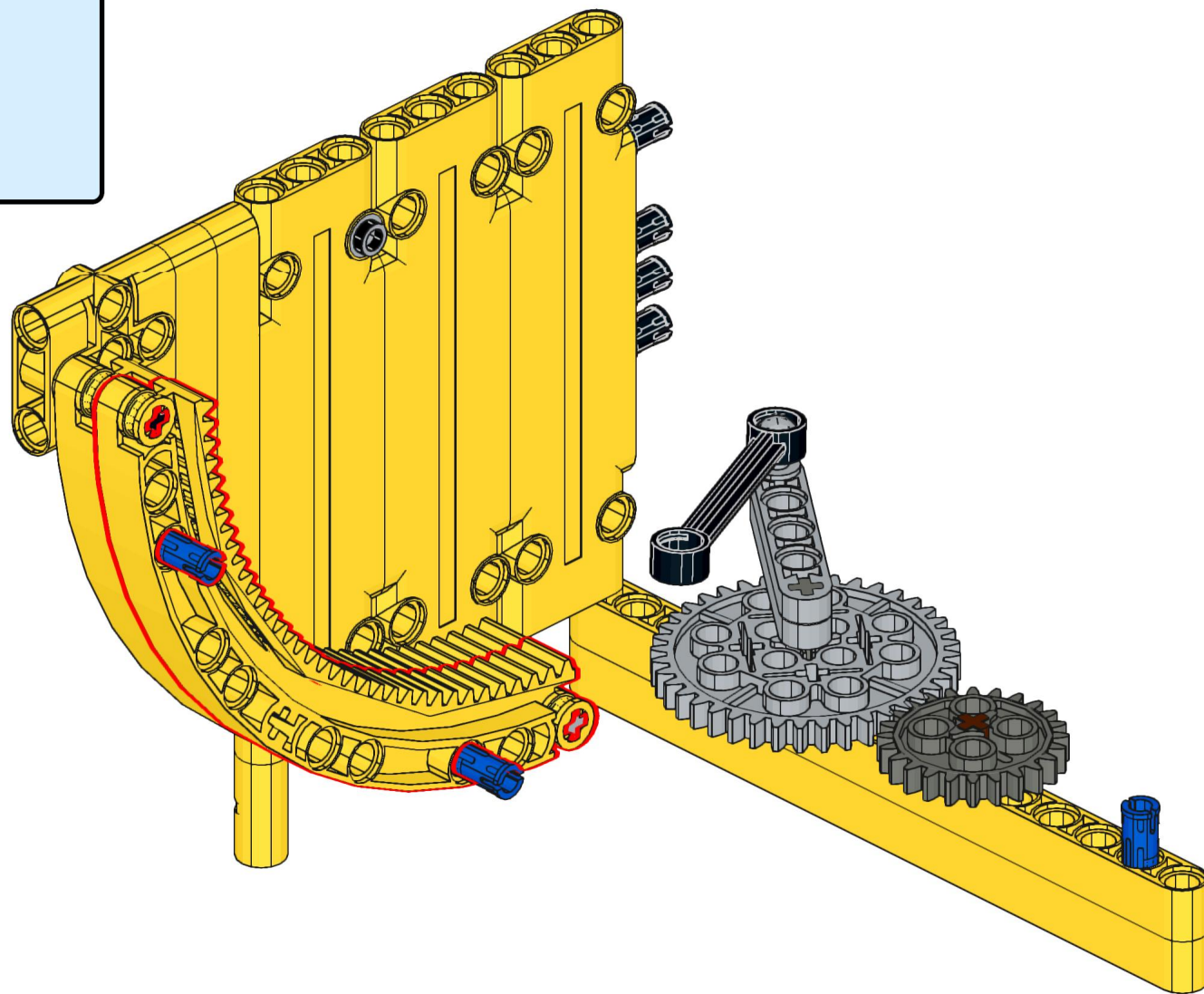
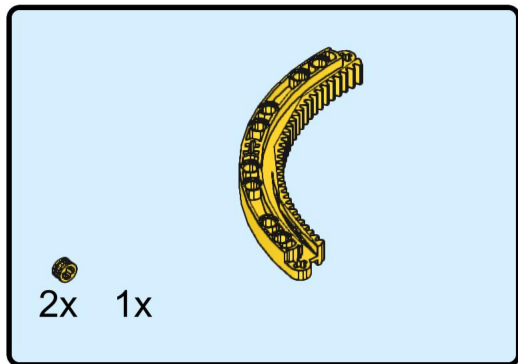
# 14



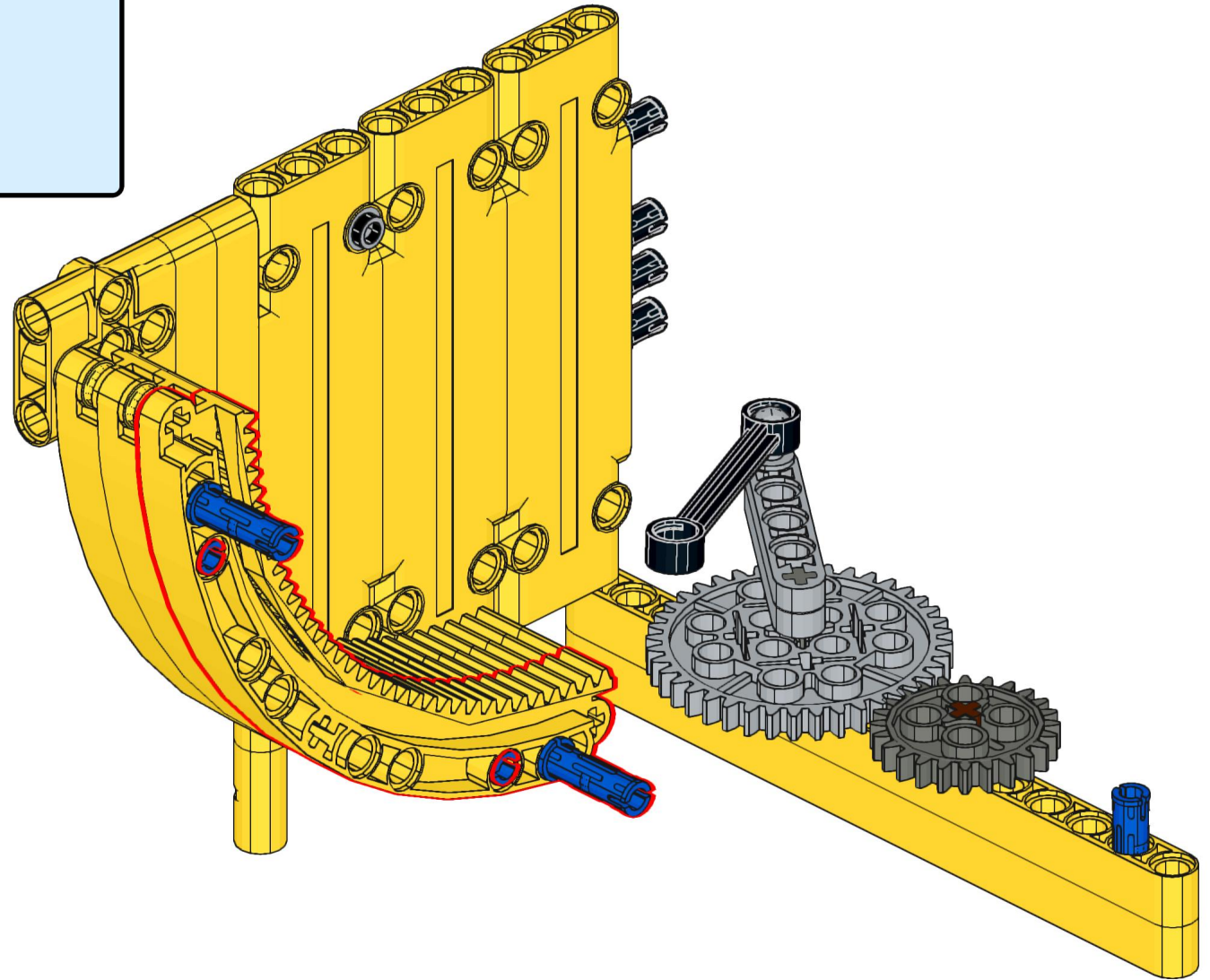
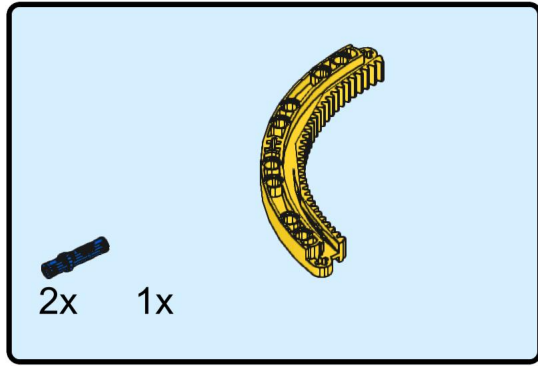
# 15



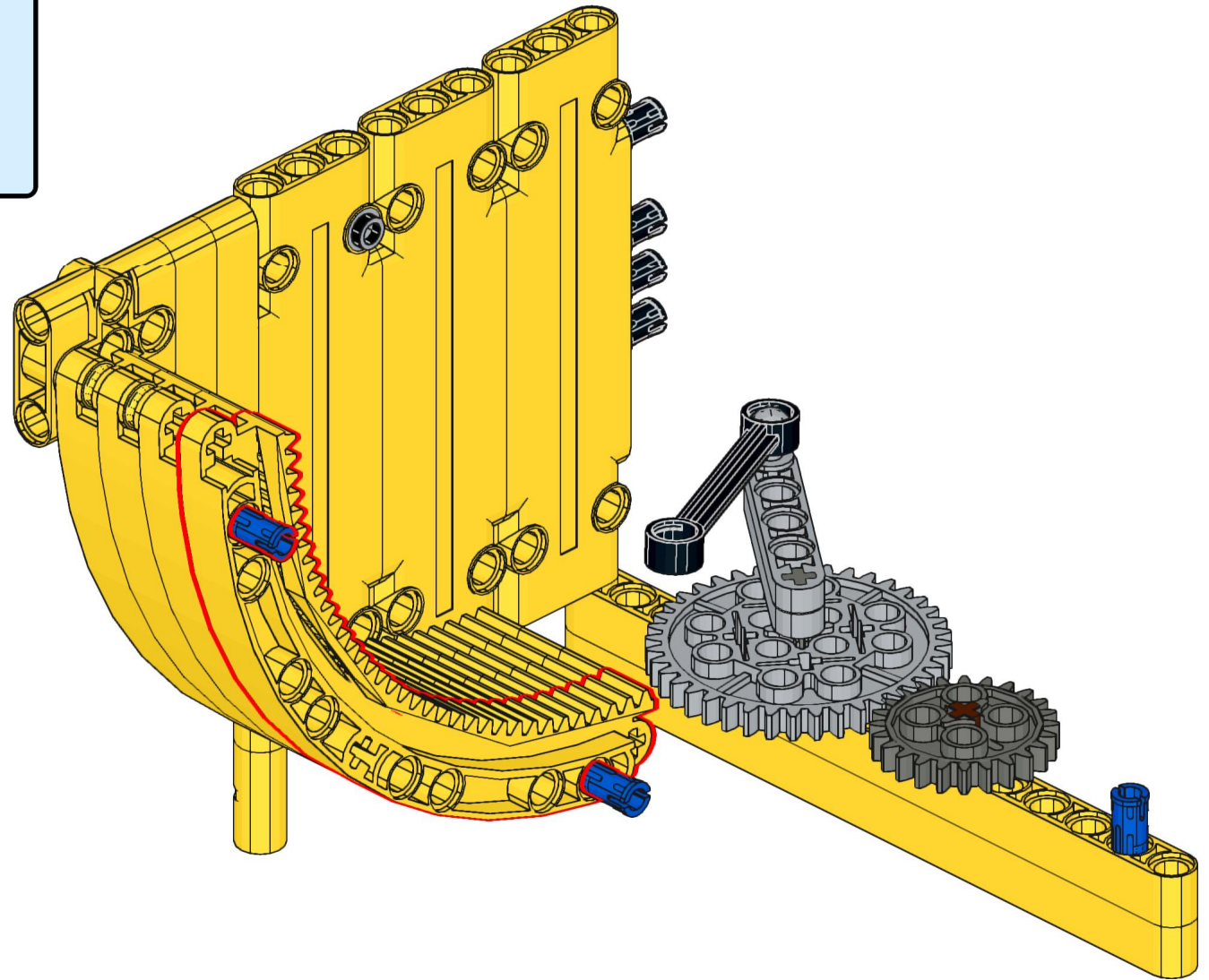
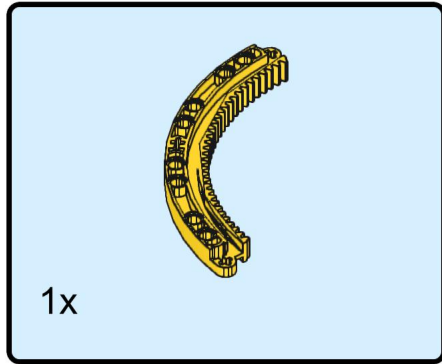
# 16



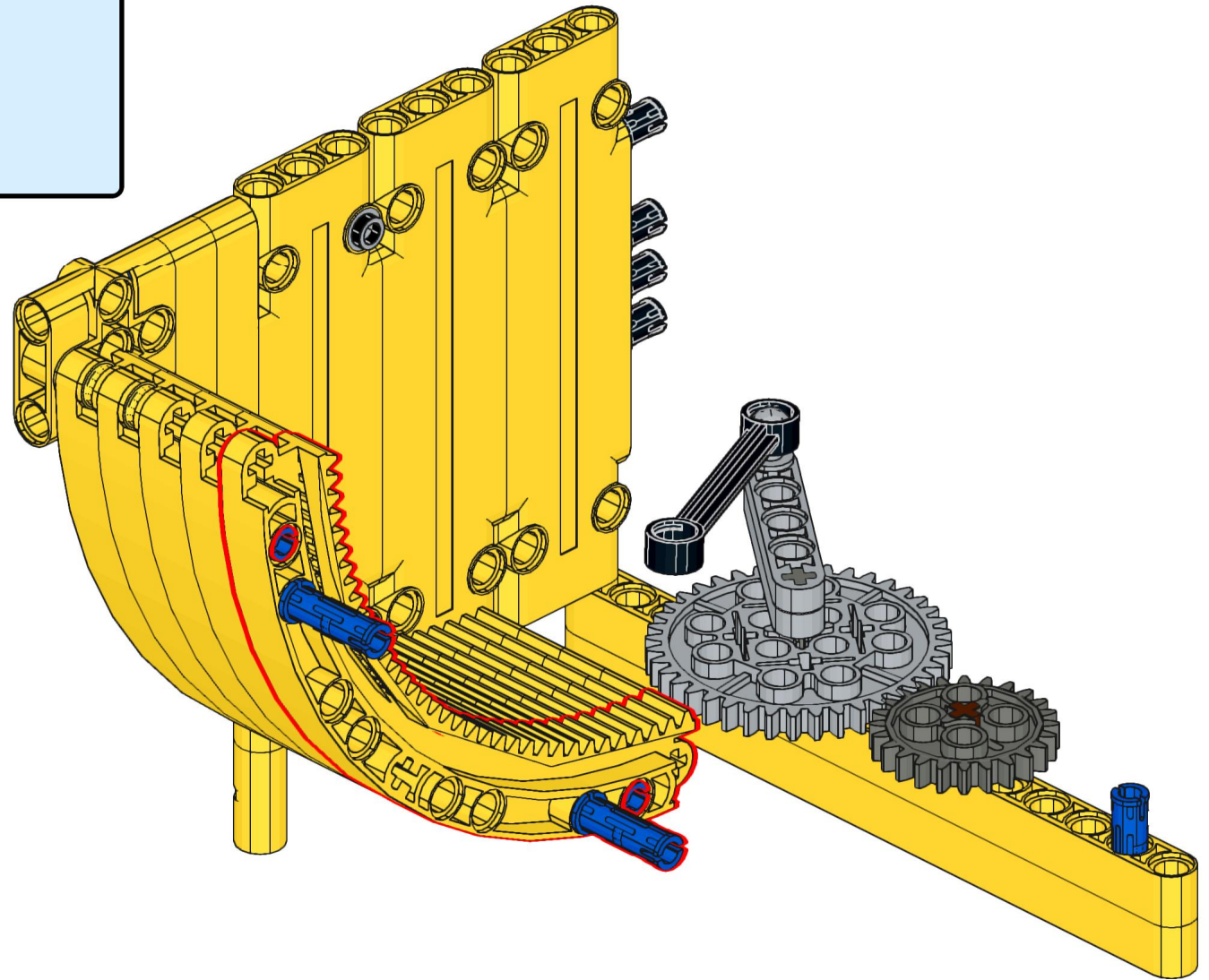
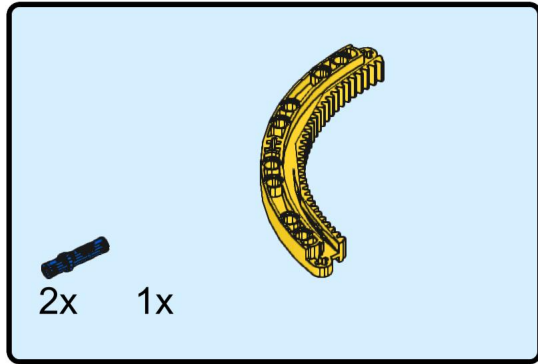
# 17



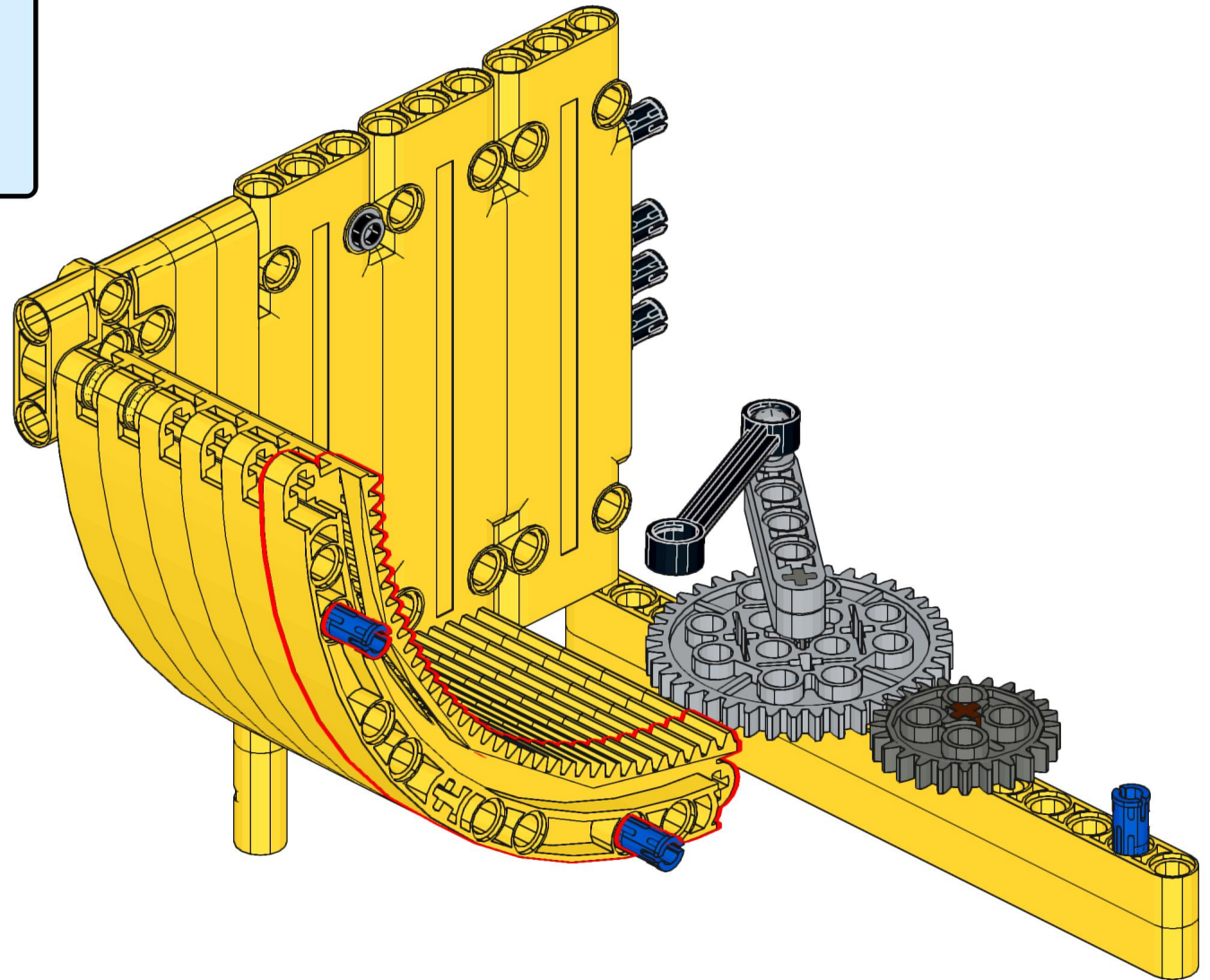
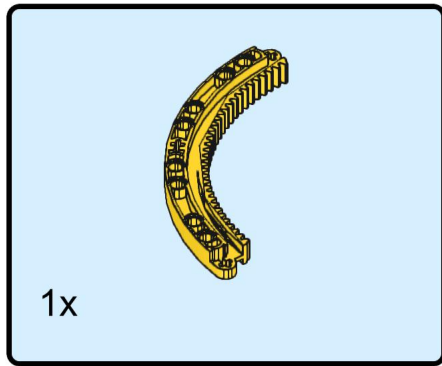
# 18



# 19

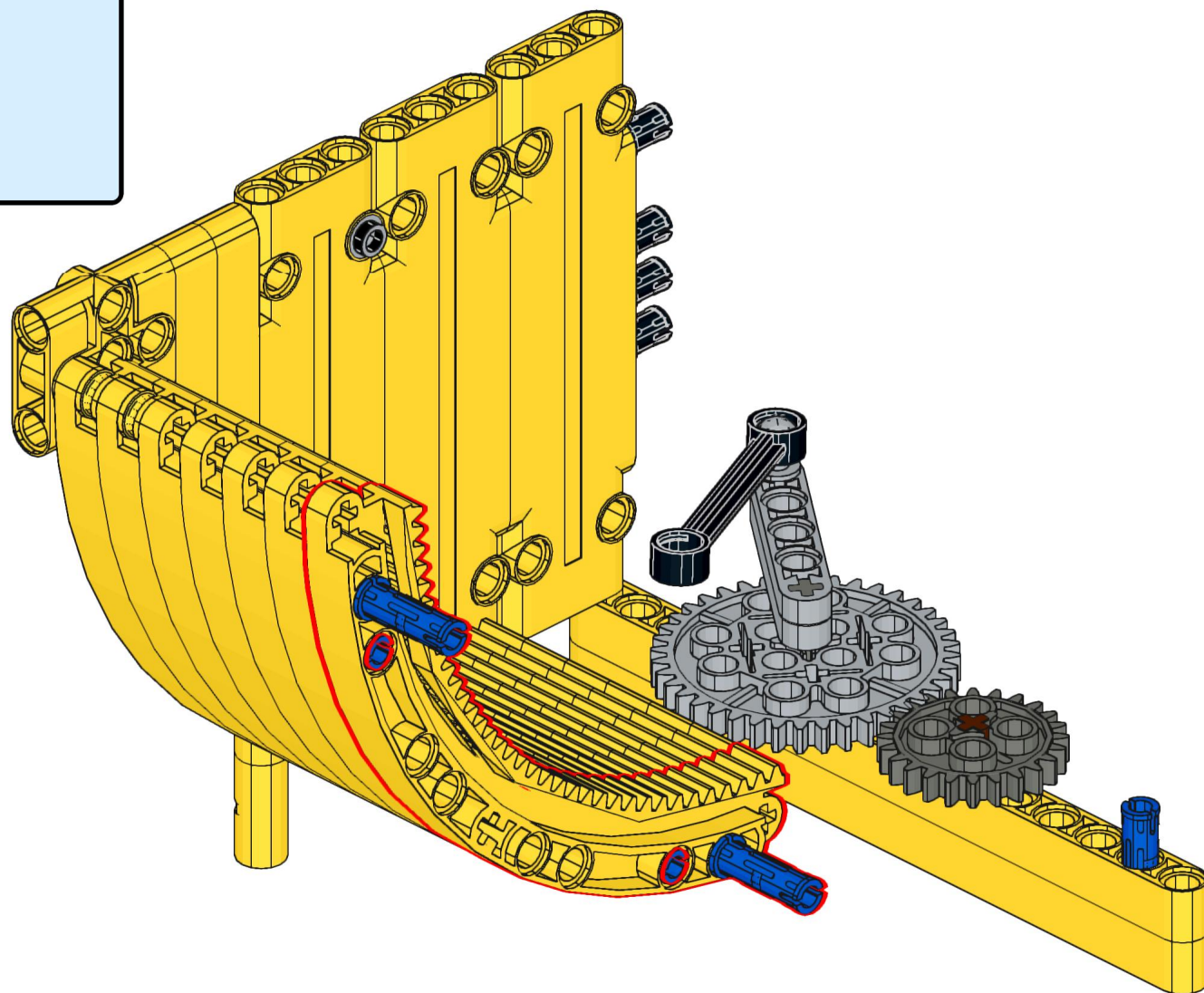
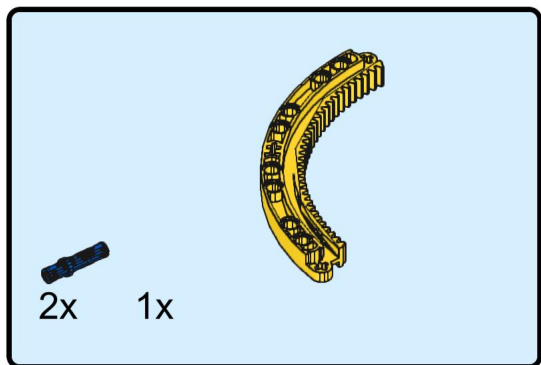


# 20

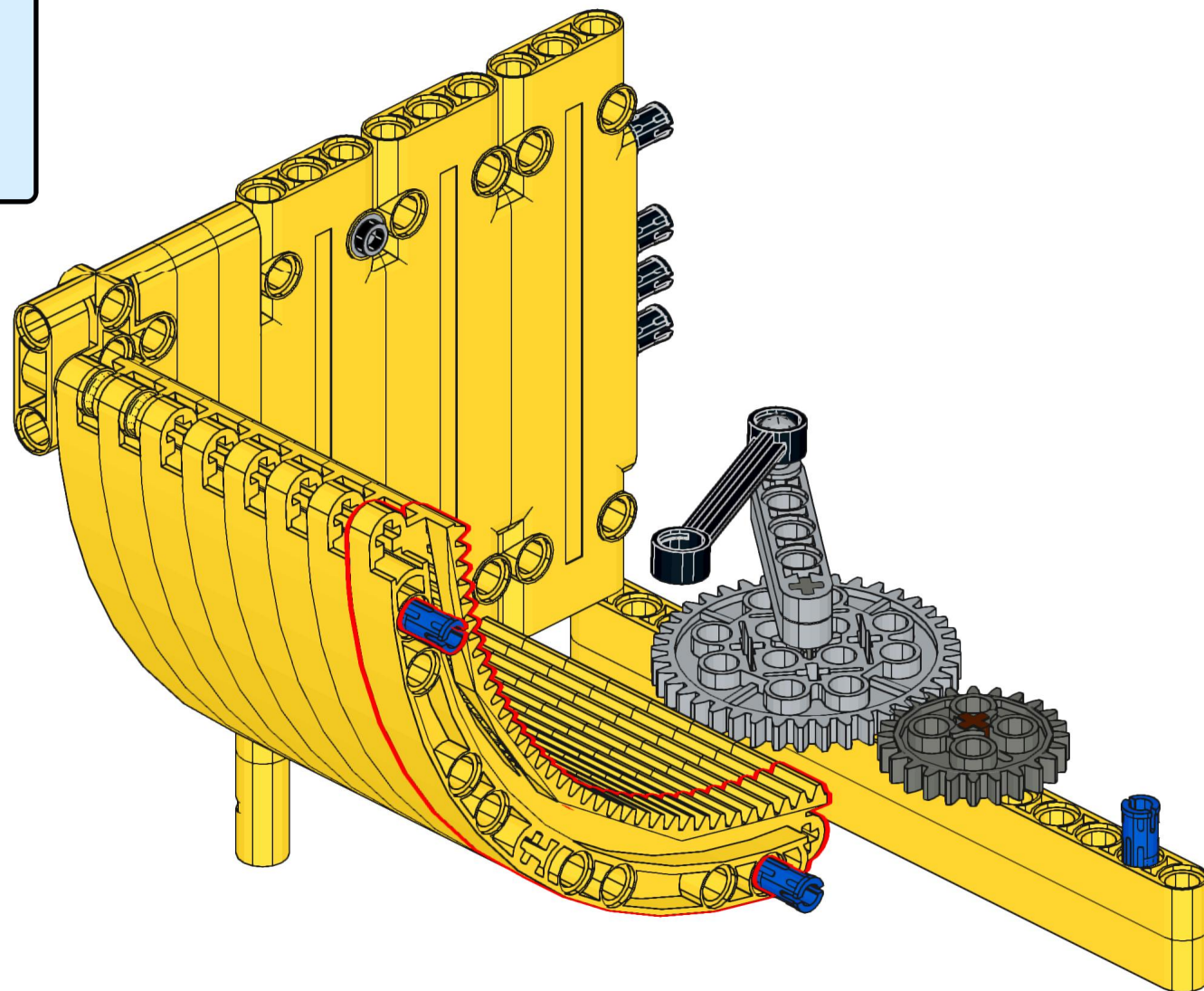
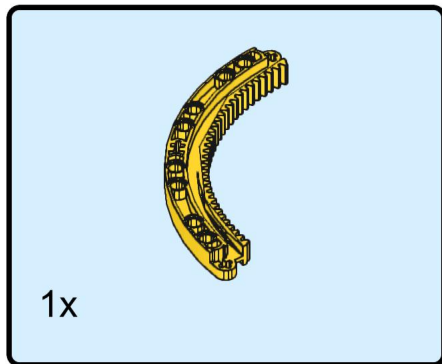




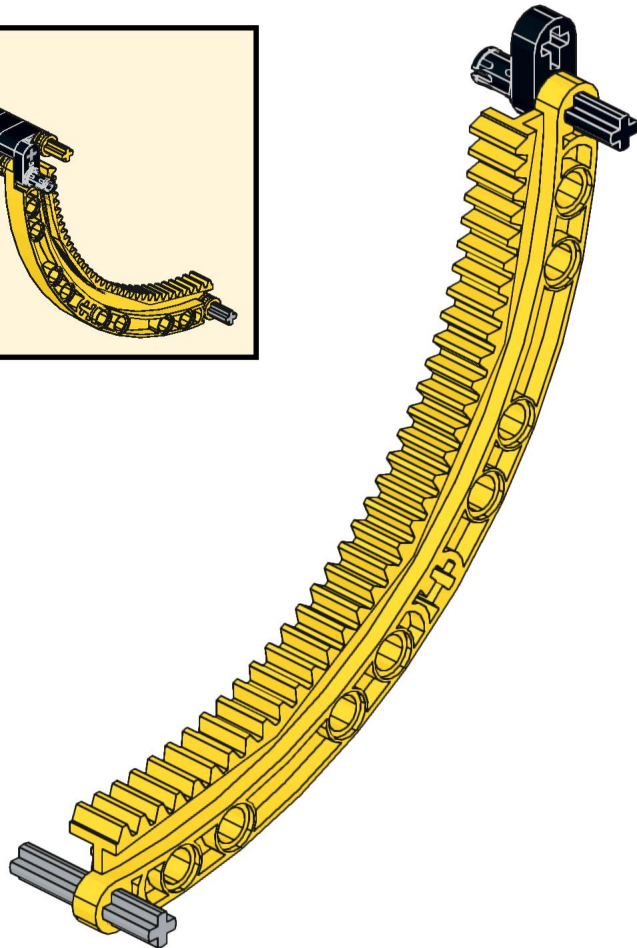
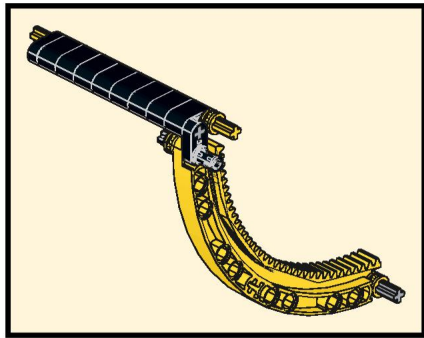
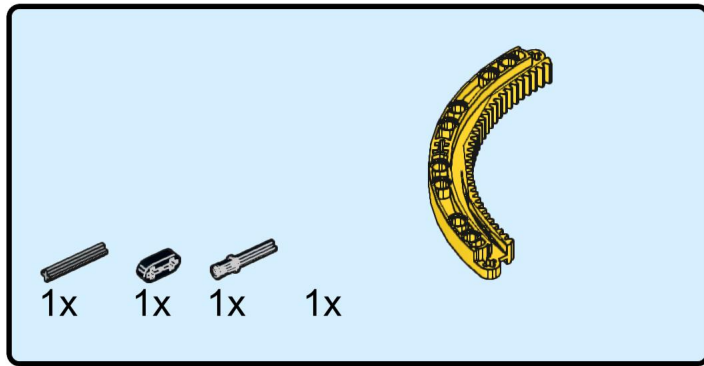
# 21



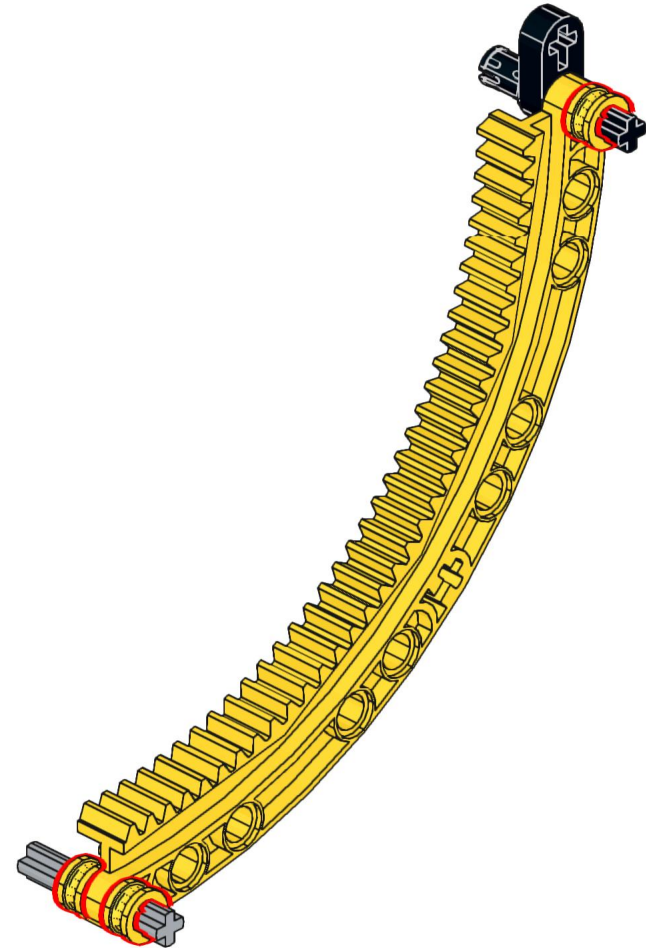
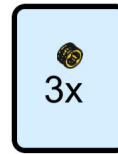
# 22



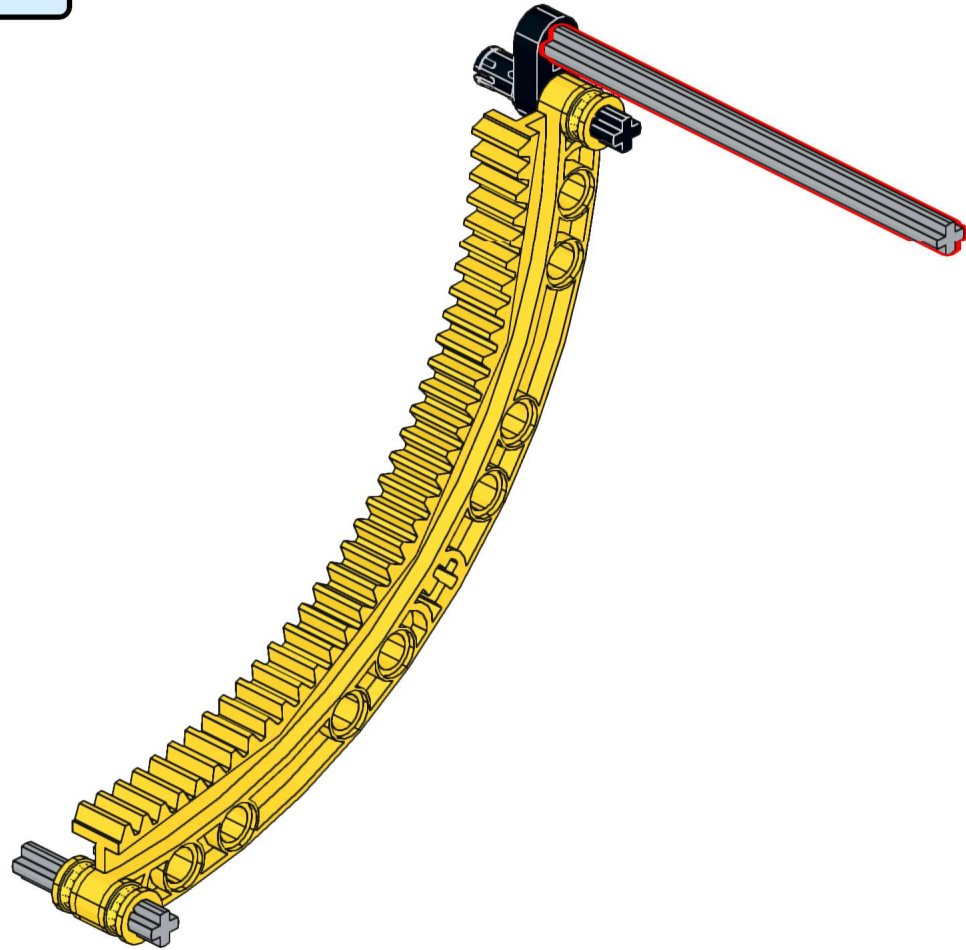
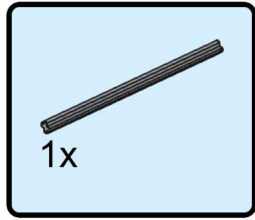
# 23



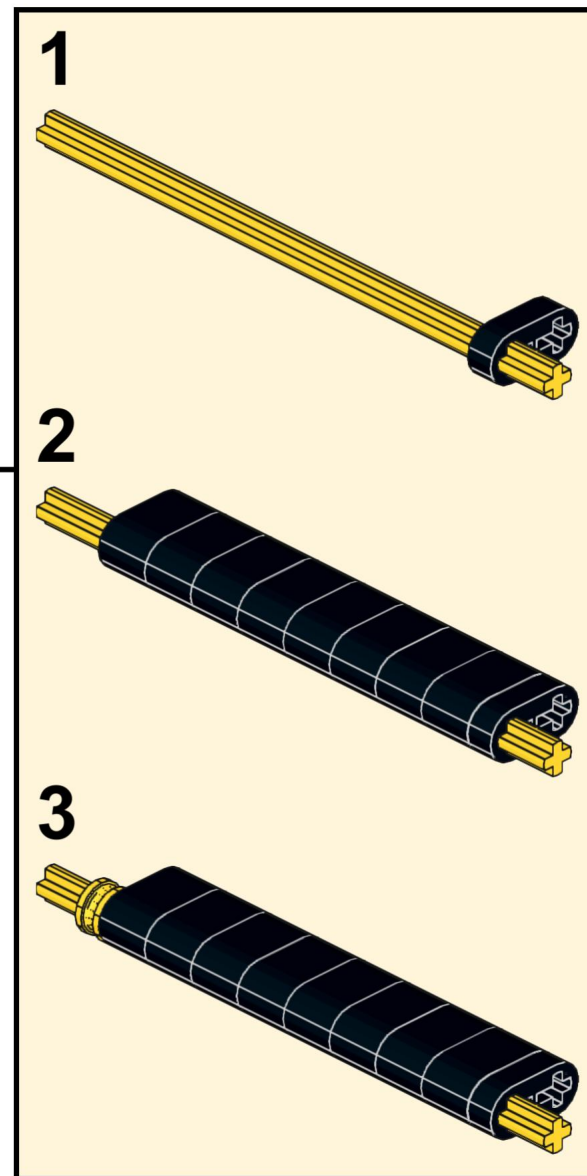
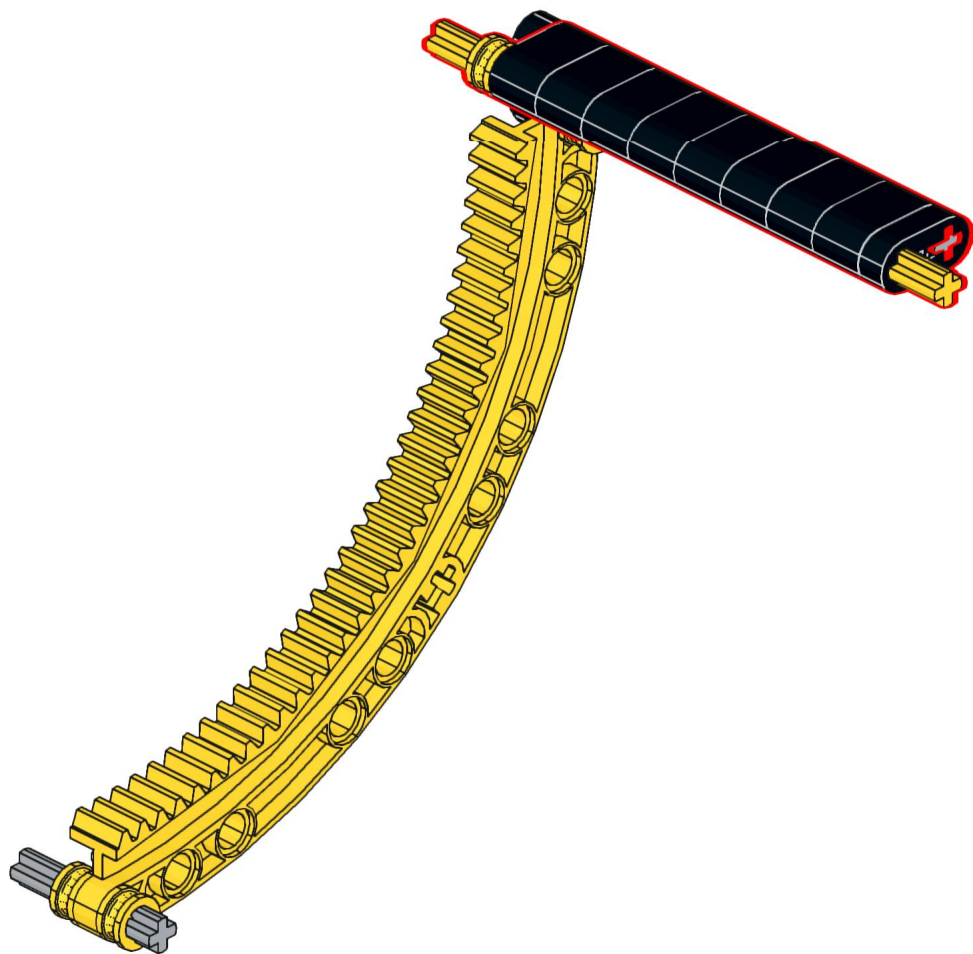
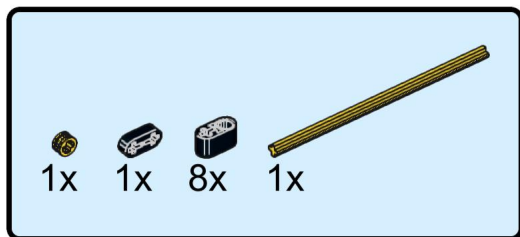
# 24



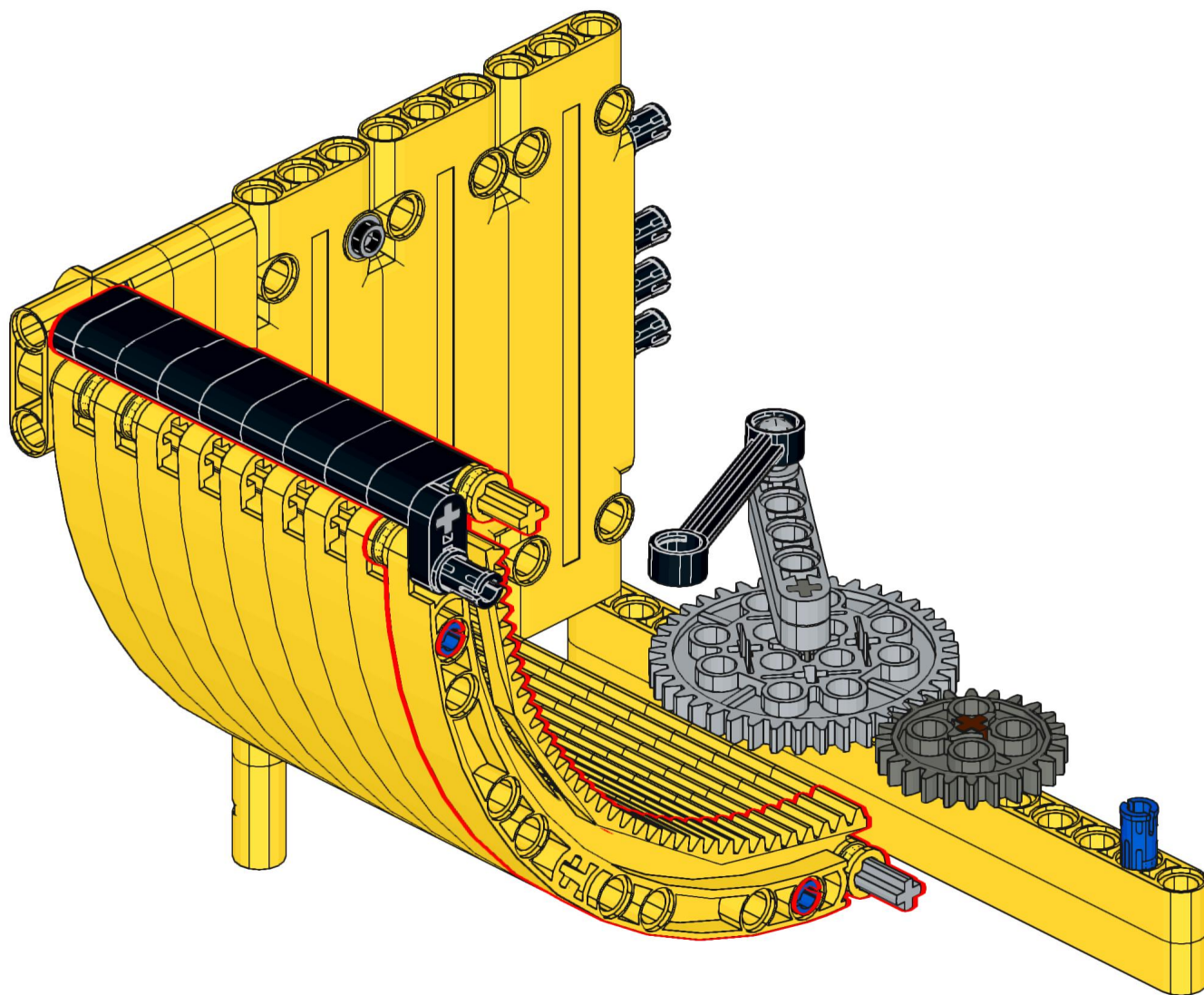
25



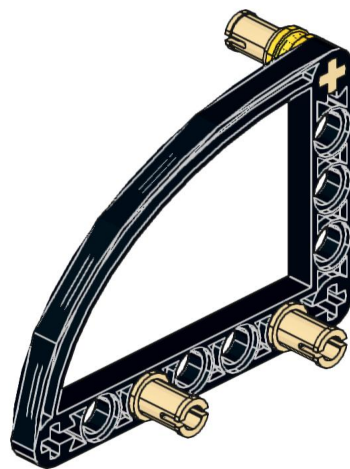
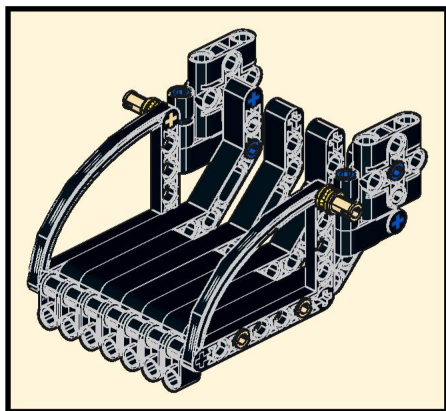
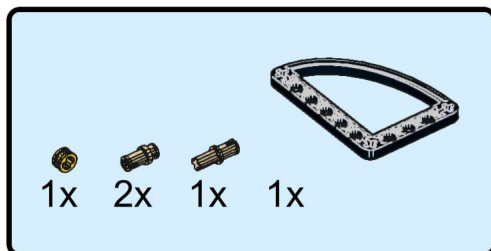
# 26



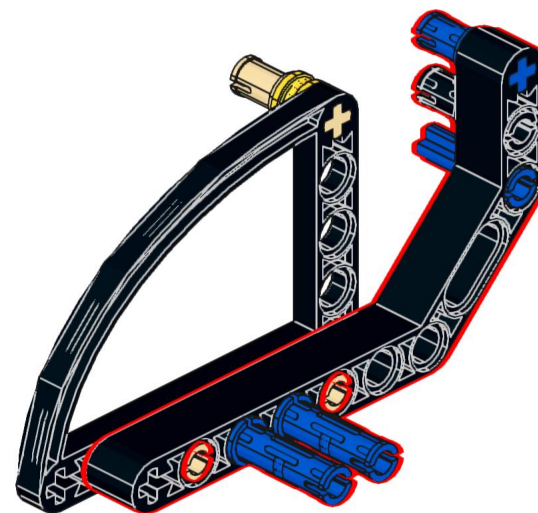
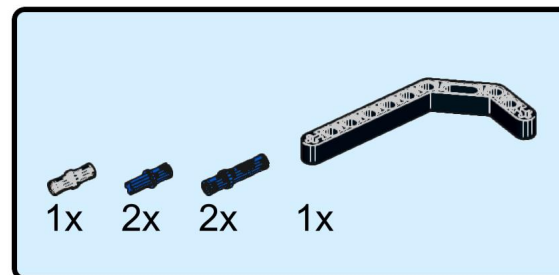
# 27



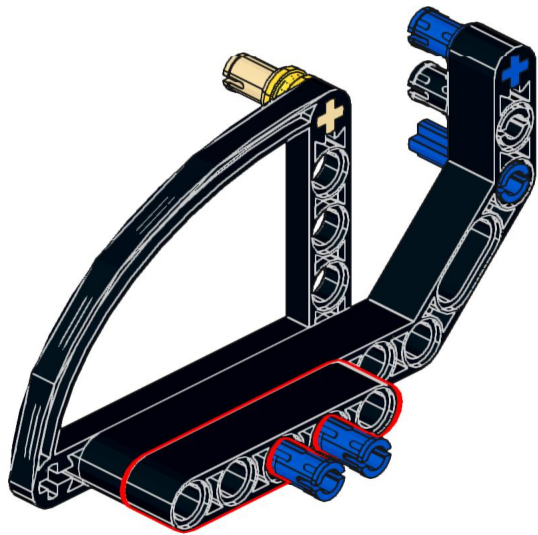
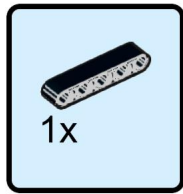
# 28



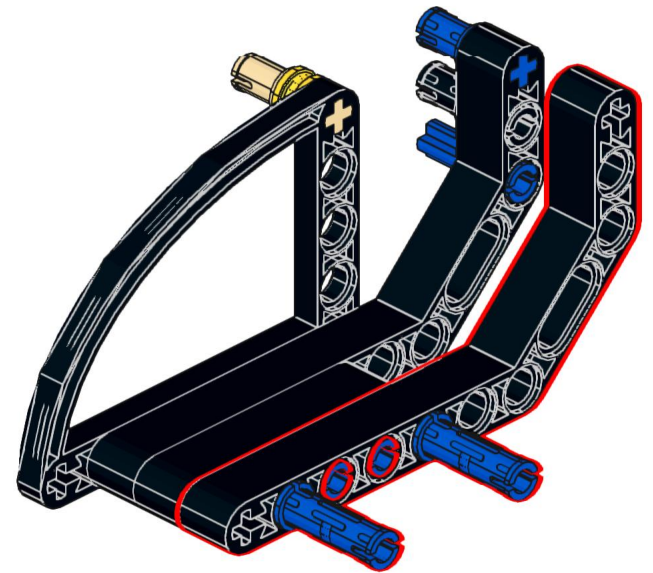
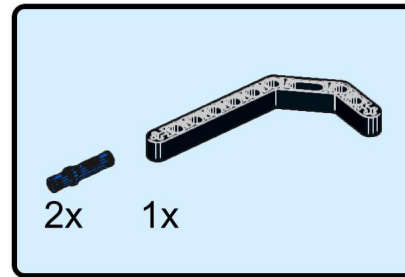
# 29



# 30

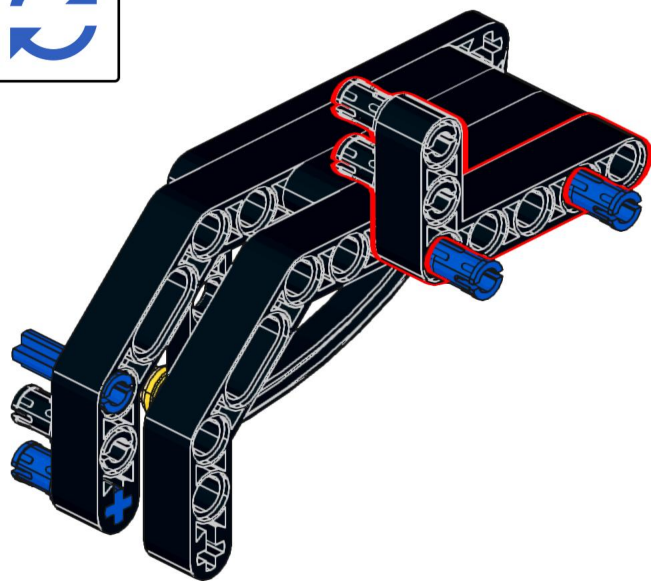
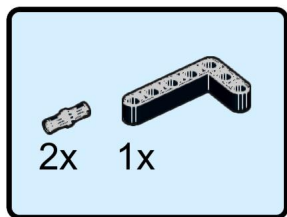


# 31

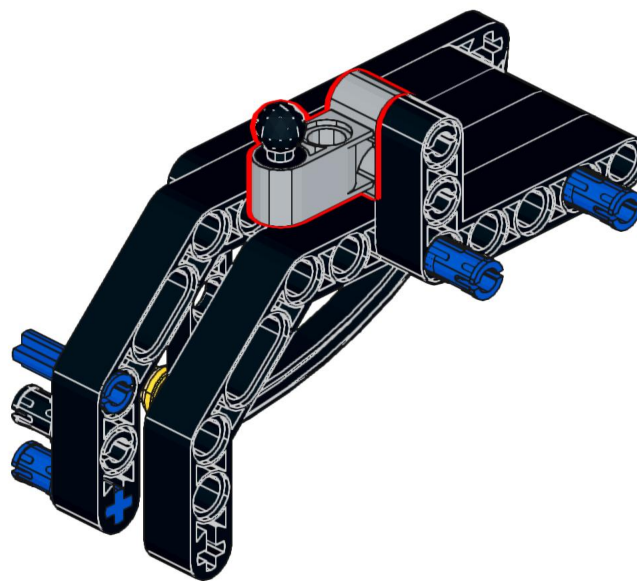
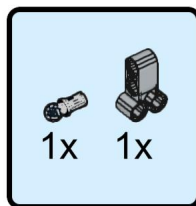




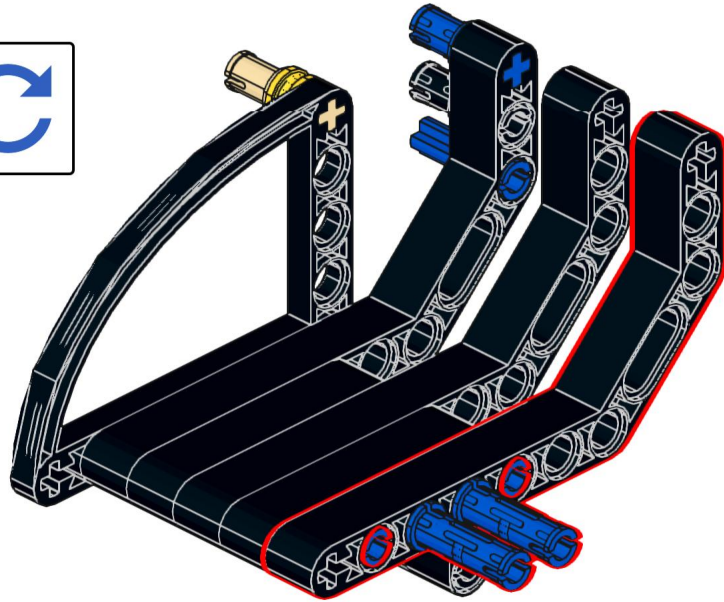
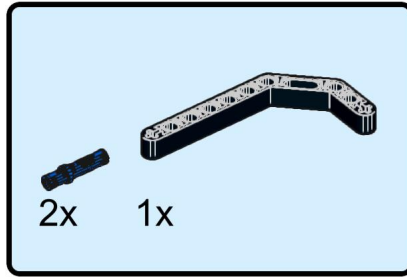
# 32



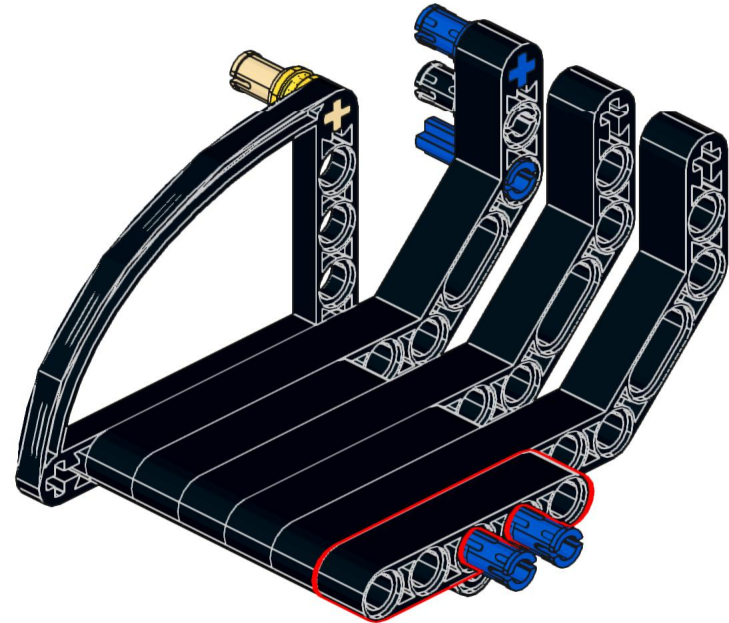
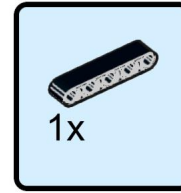
# 33



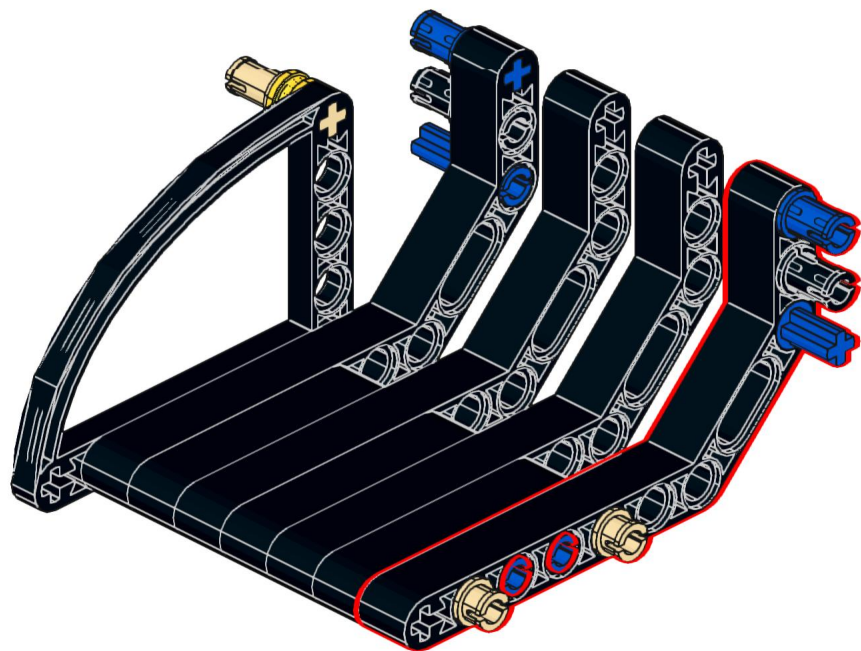
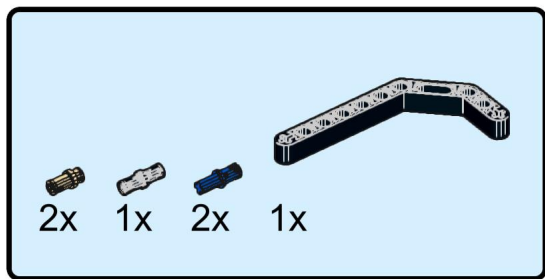
# 34



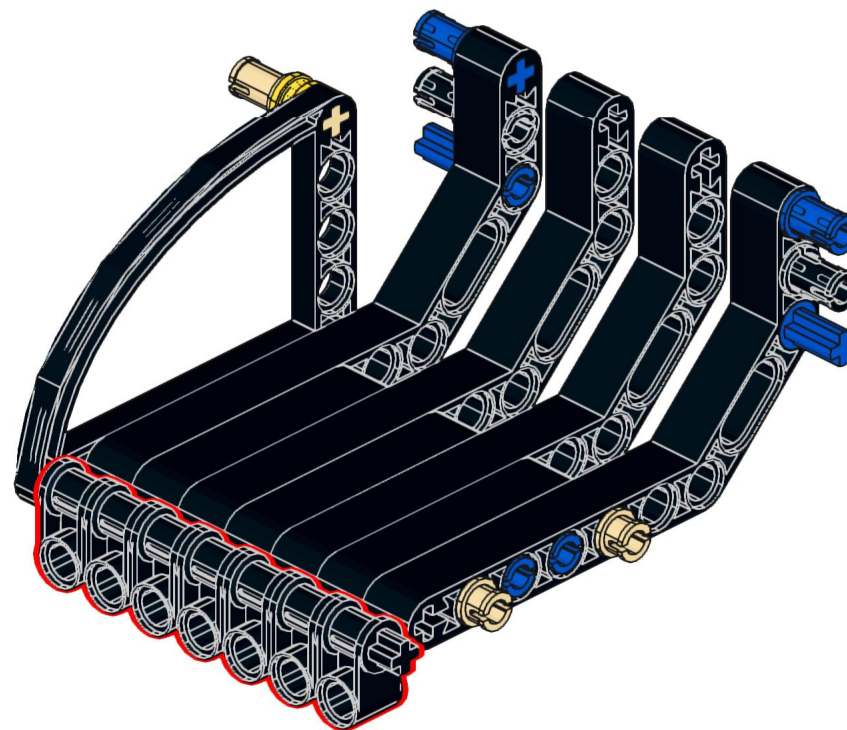
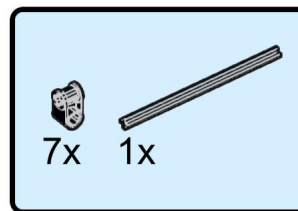
# 35



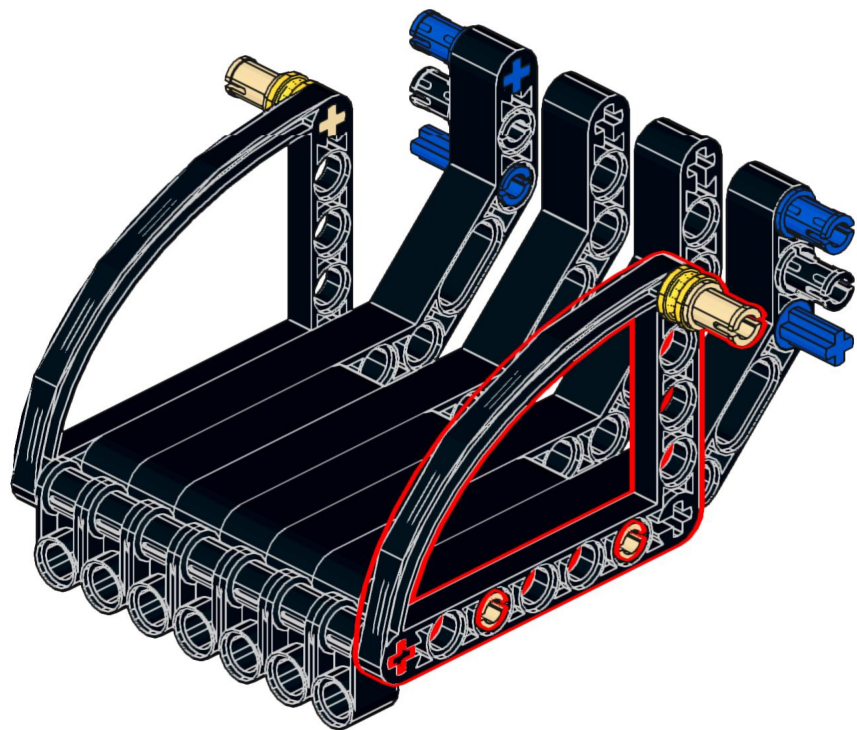
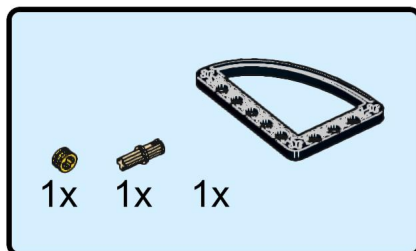
# 36



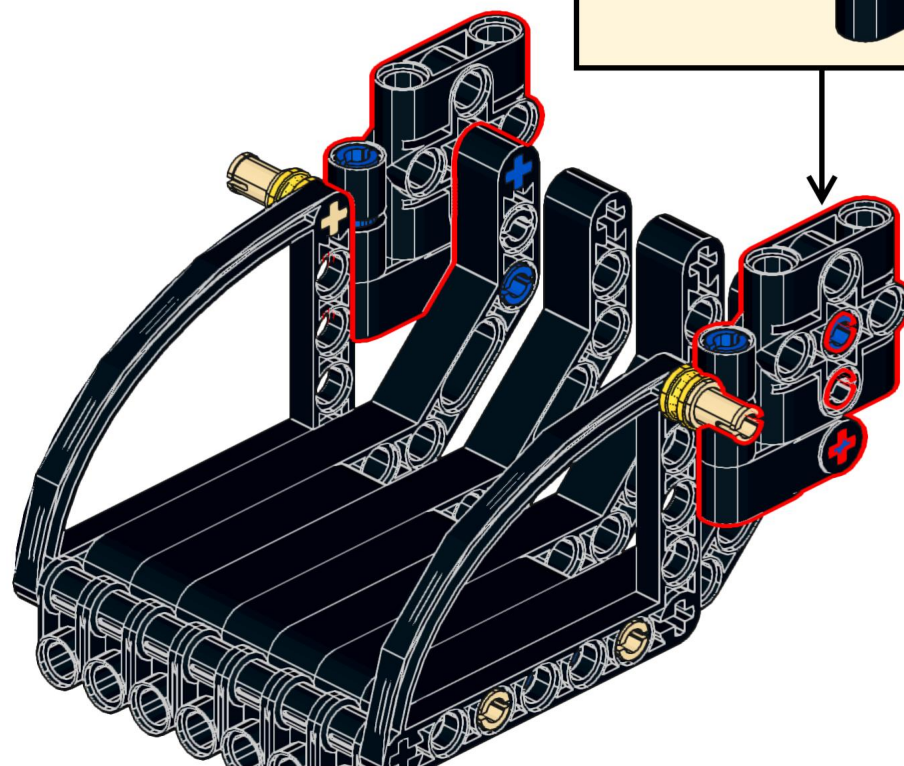
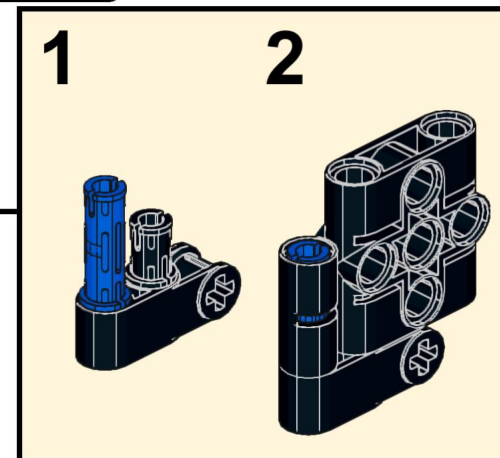
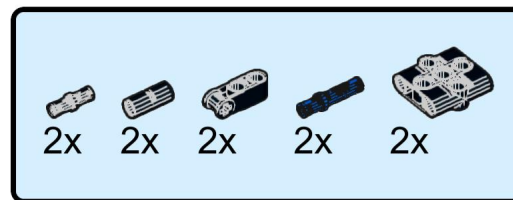
# 37



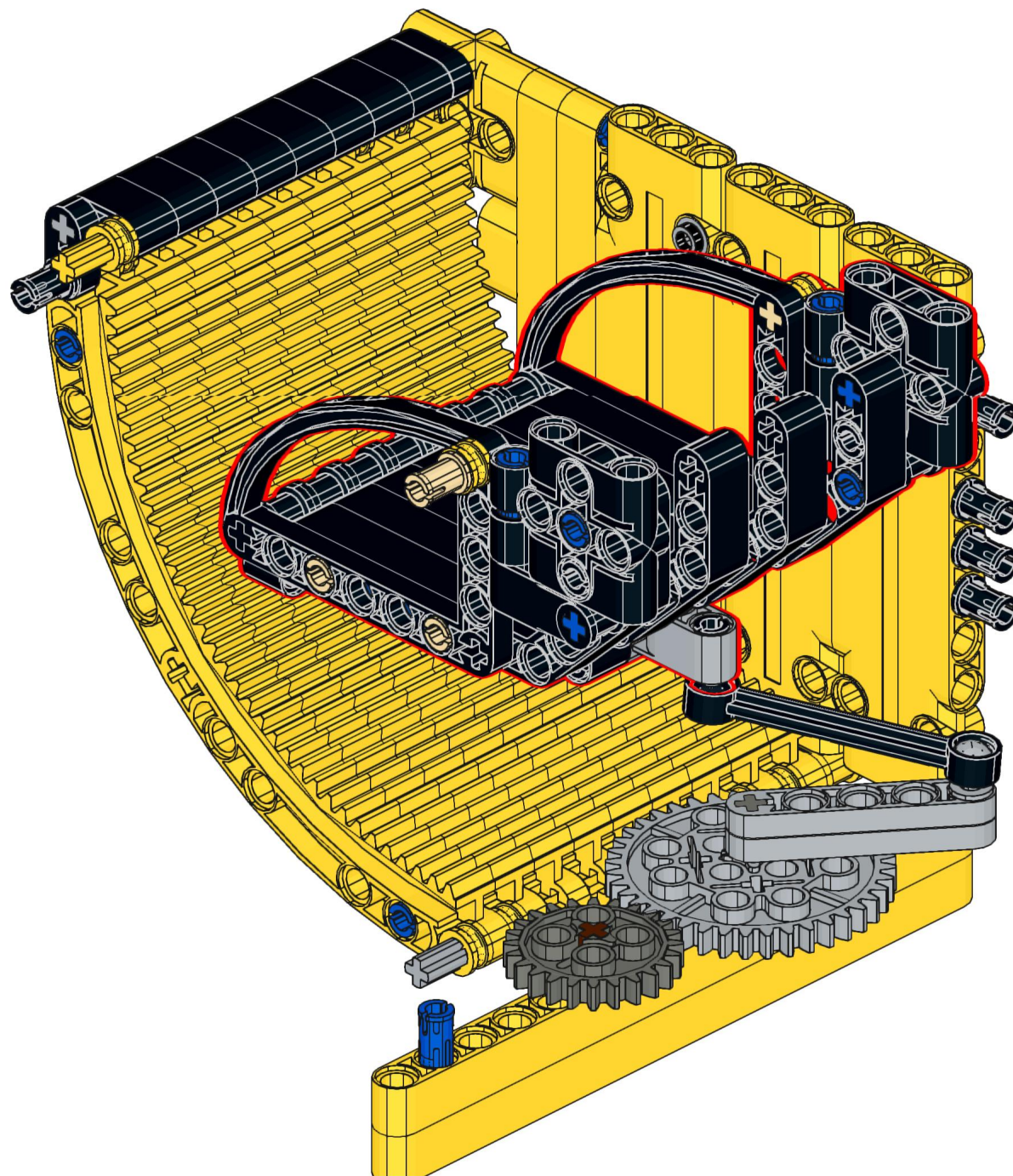
# 38



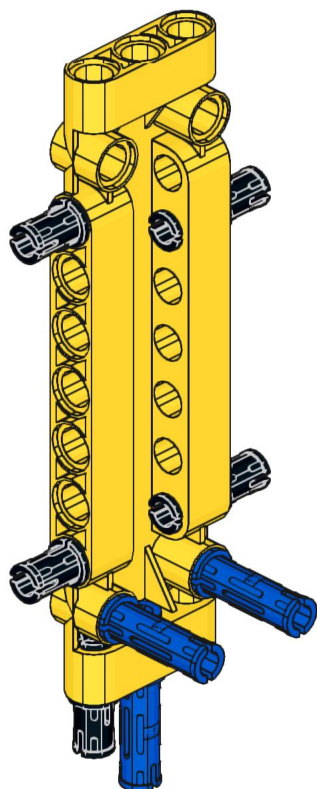
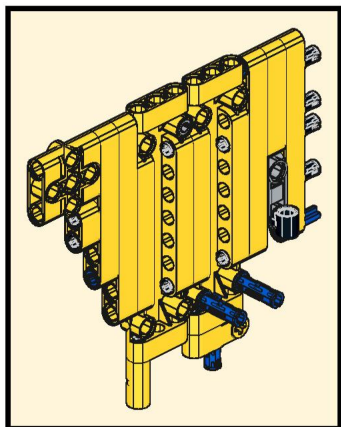
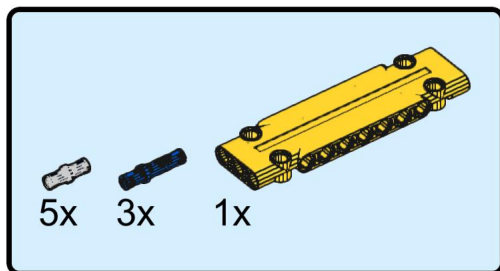
# 39



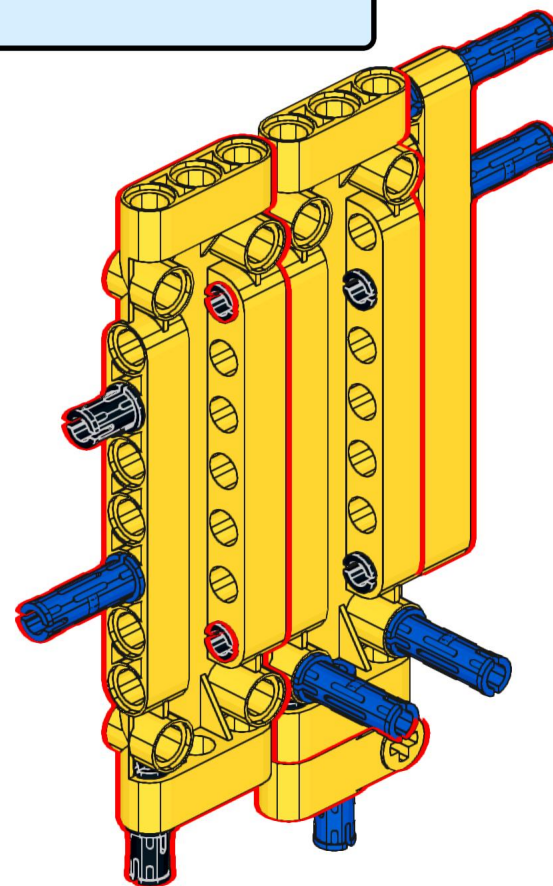
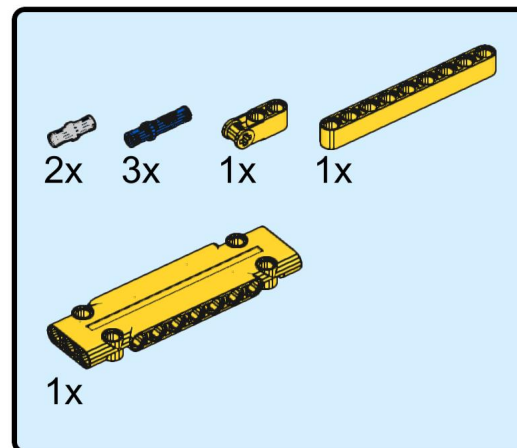
# 40



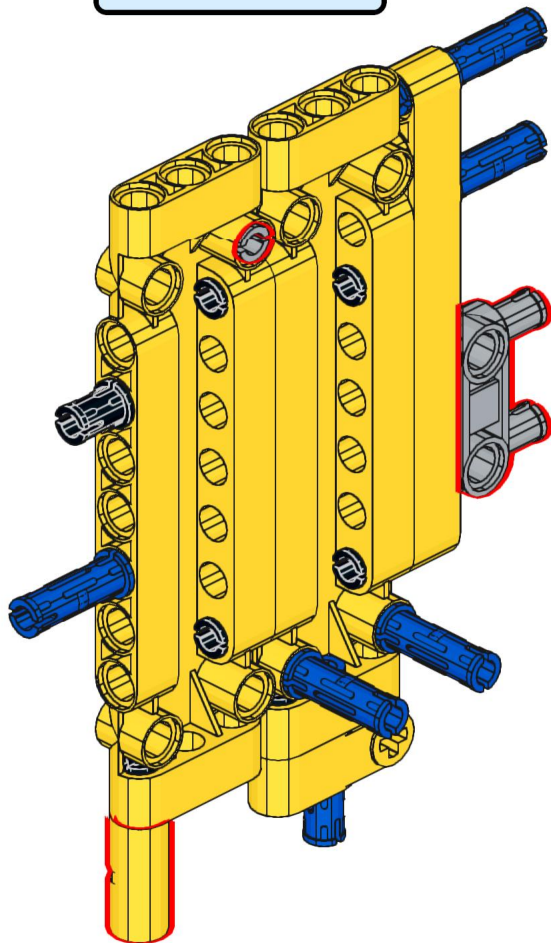
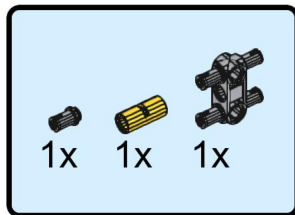
# 41



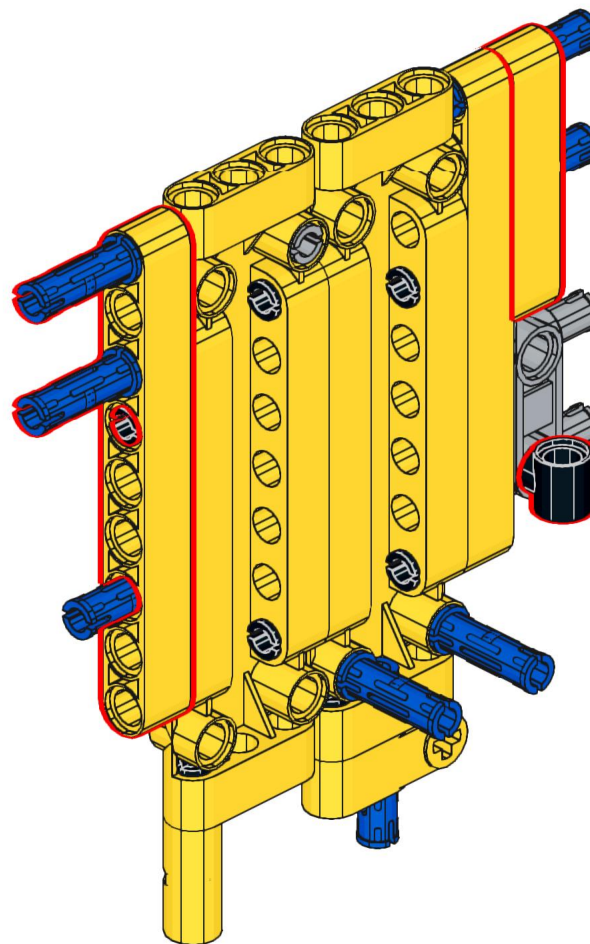
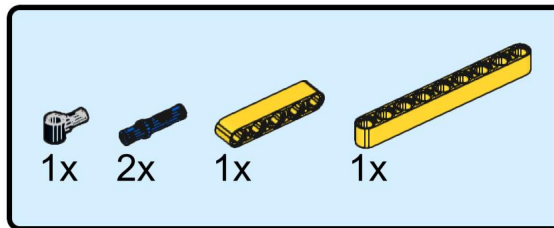
# 42



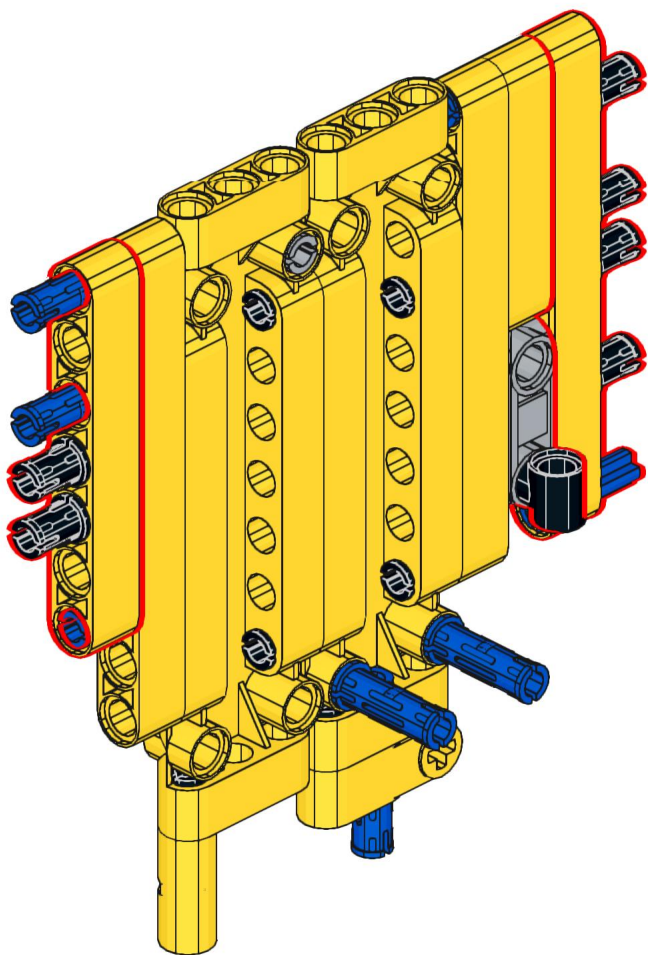
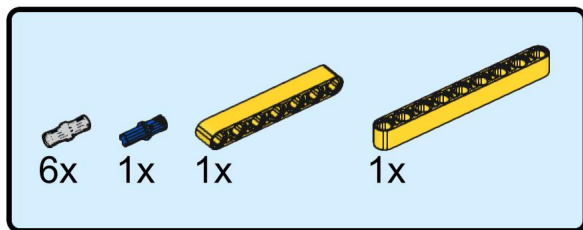
# 43



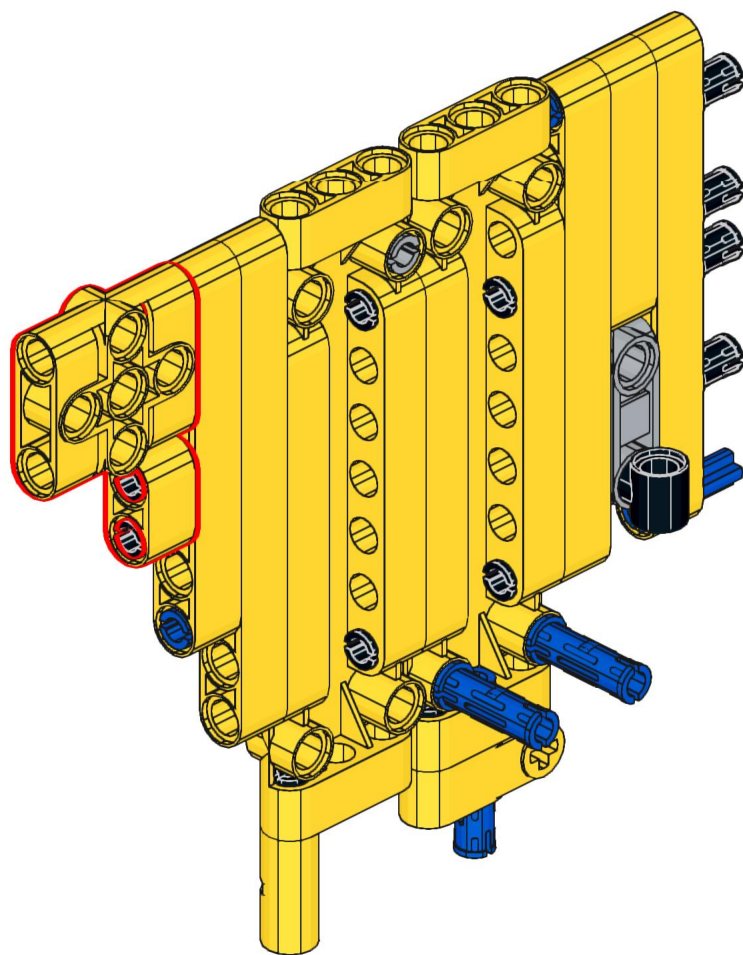
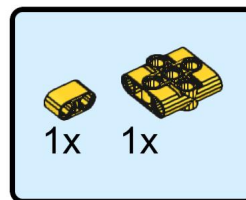
# 44



# 45

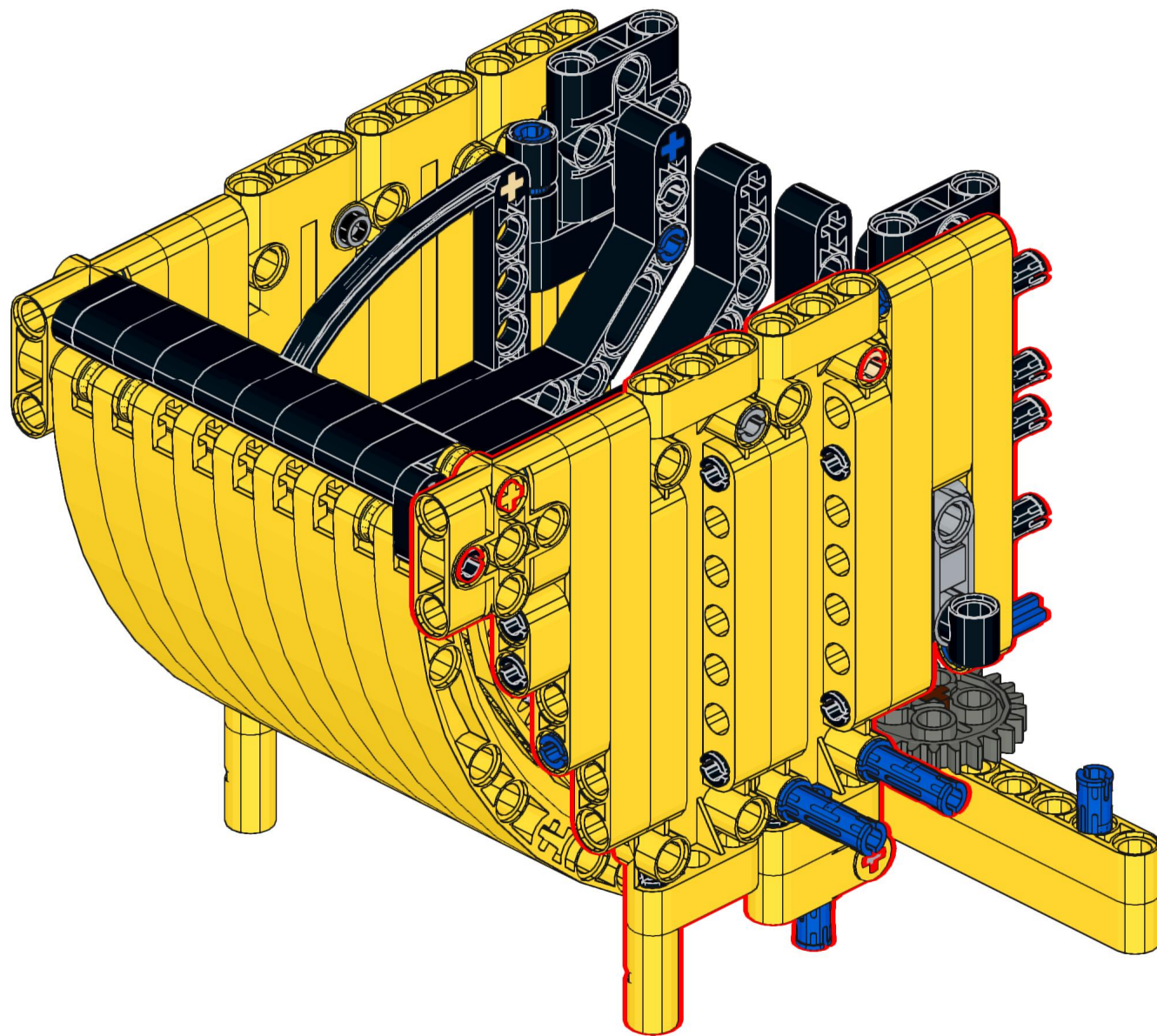


# 46

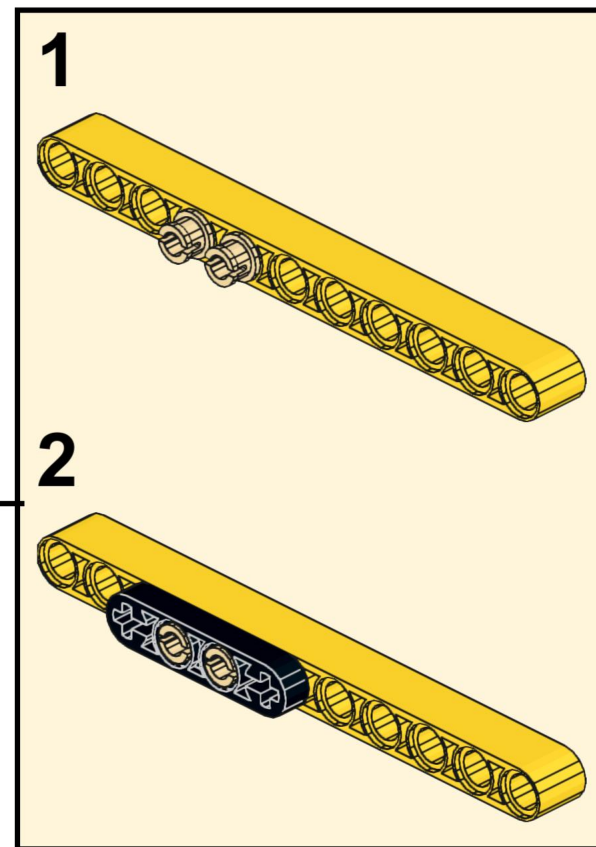
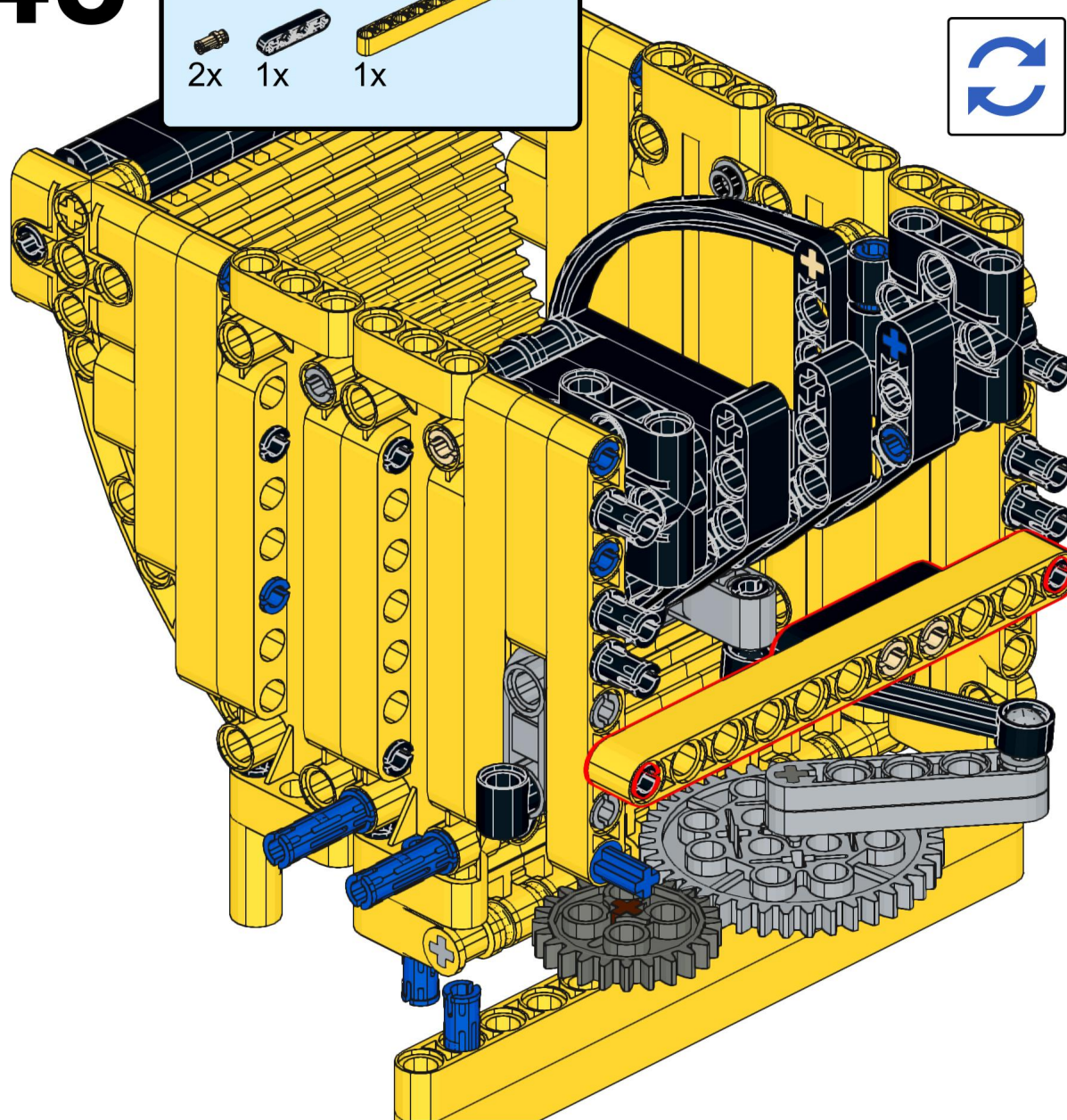
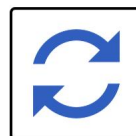
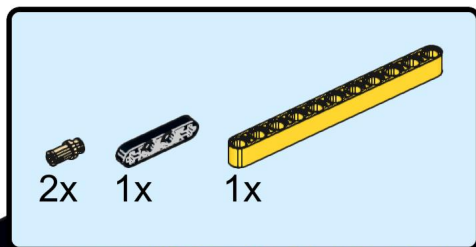




47

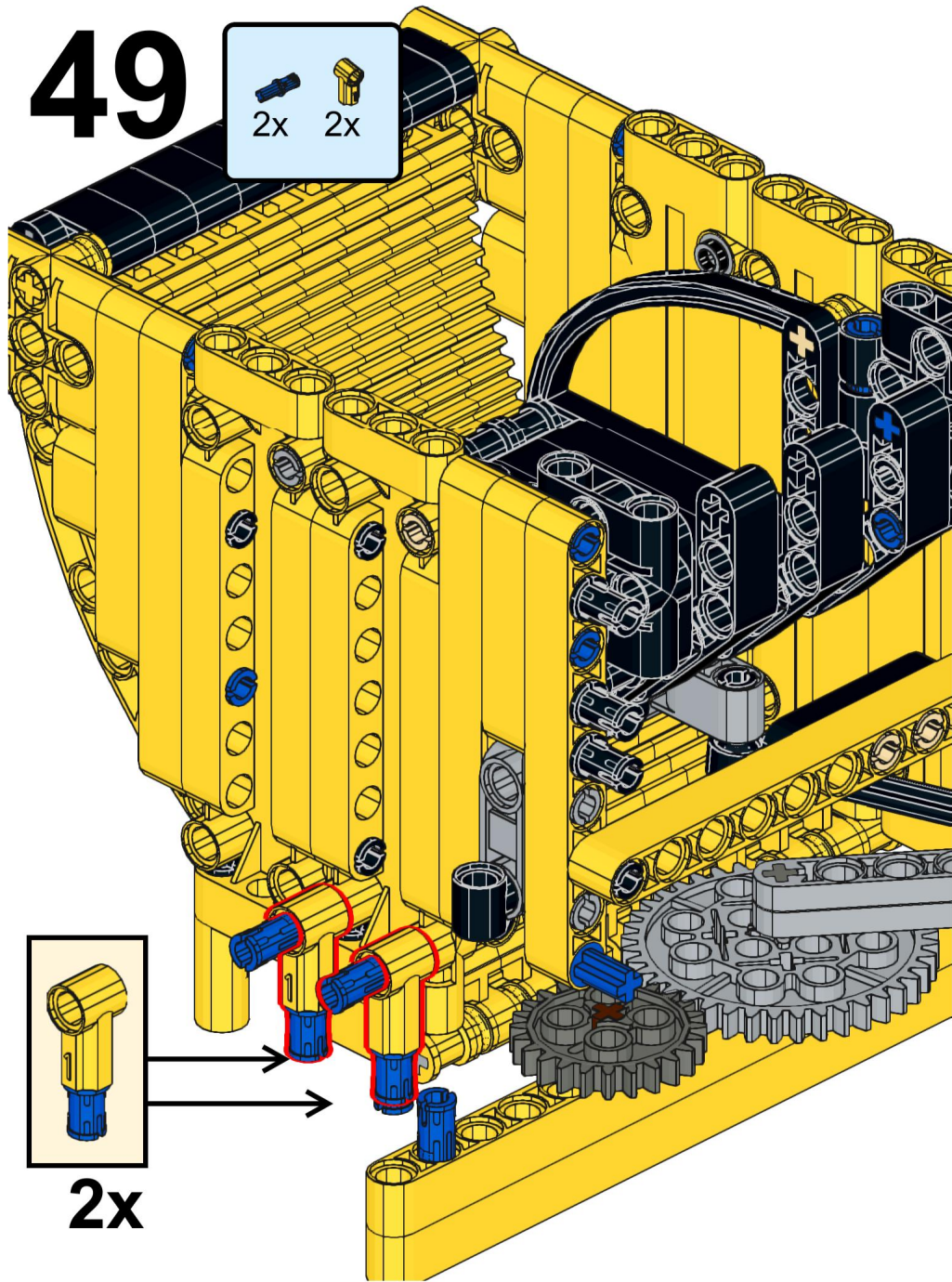


# 48



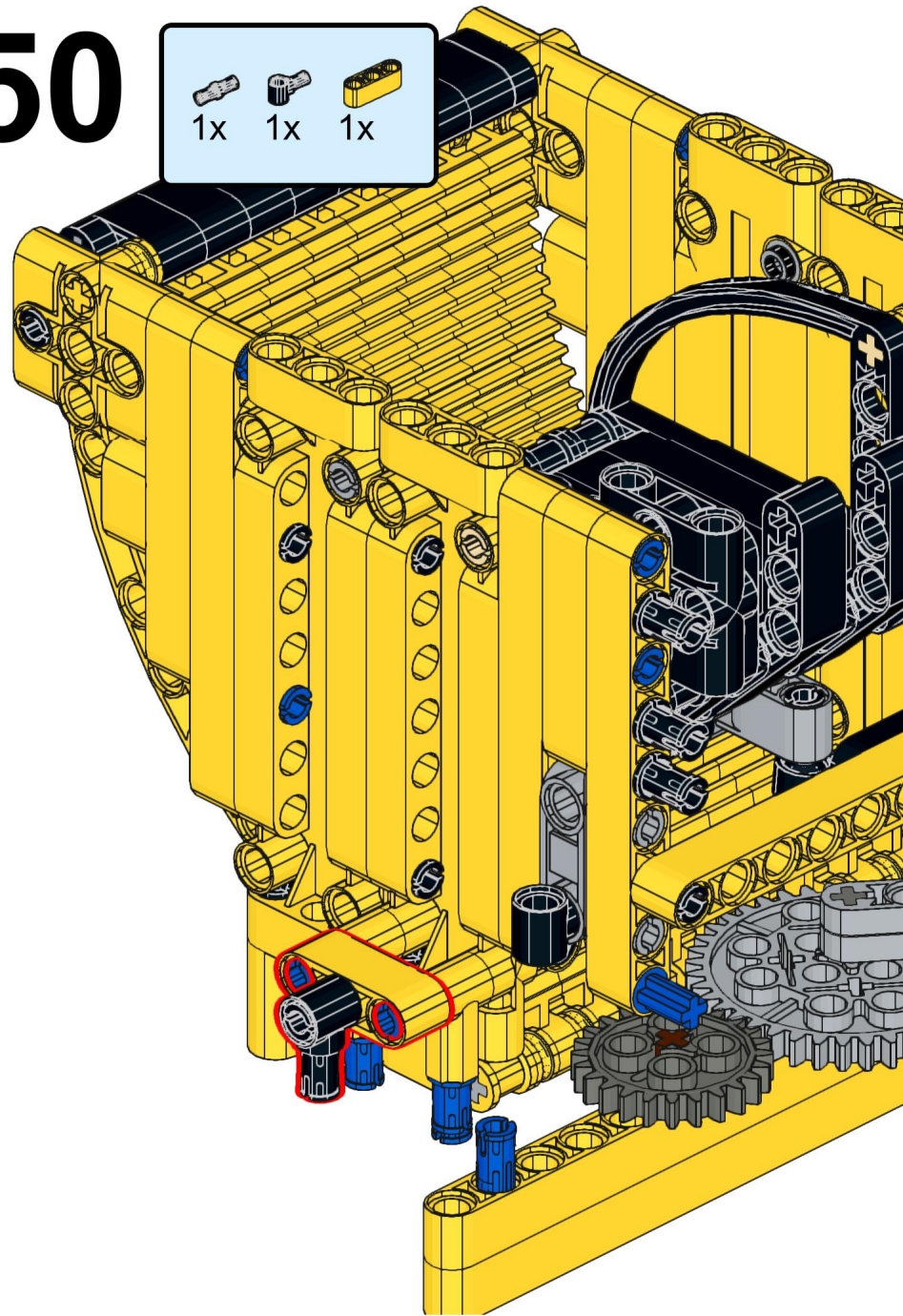
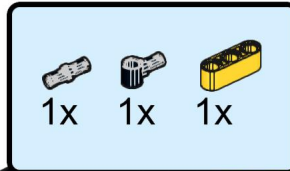
# 49

2x 2x

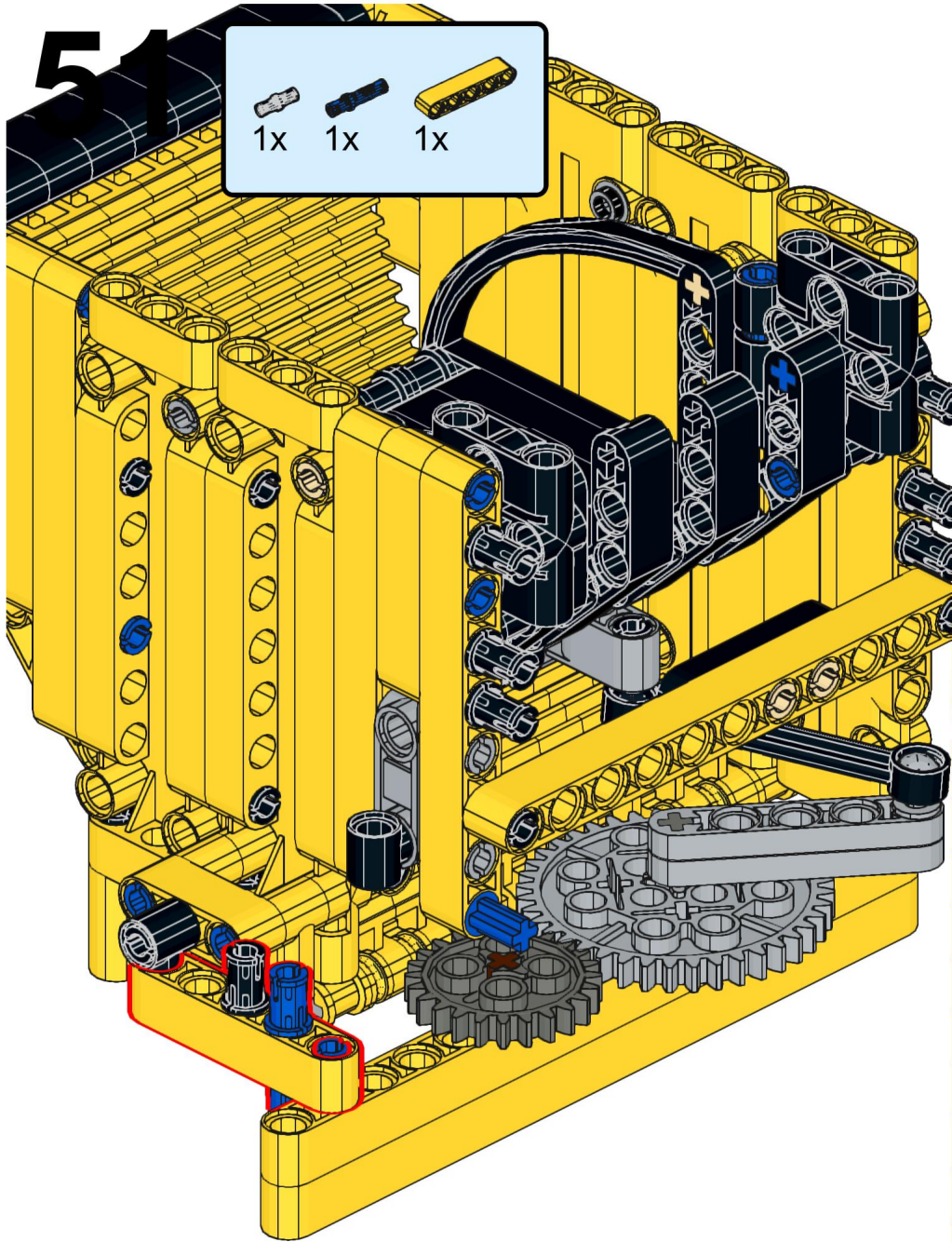
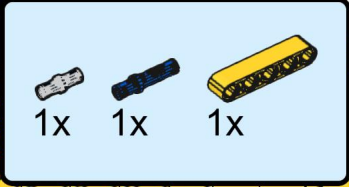


# 50

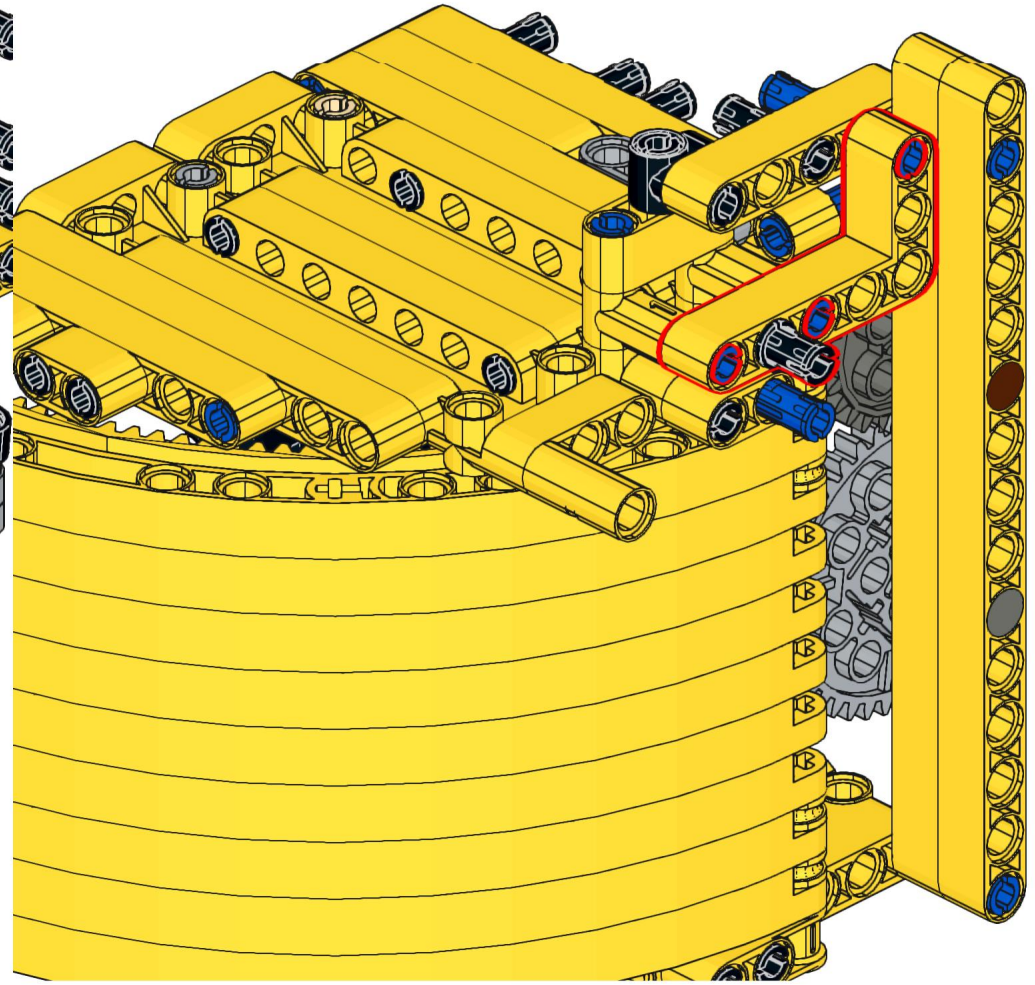
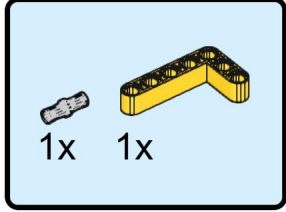
1x 1x 1x



51

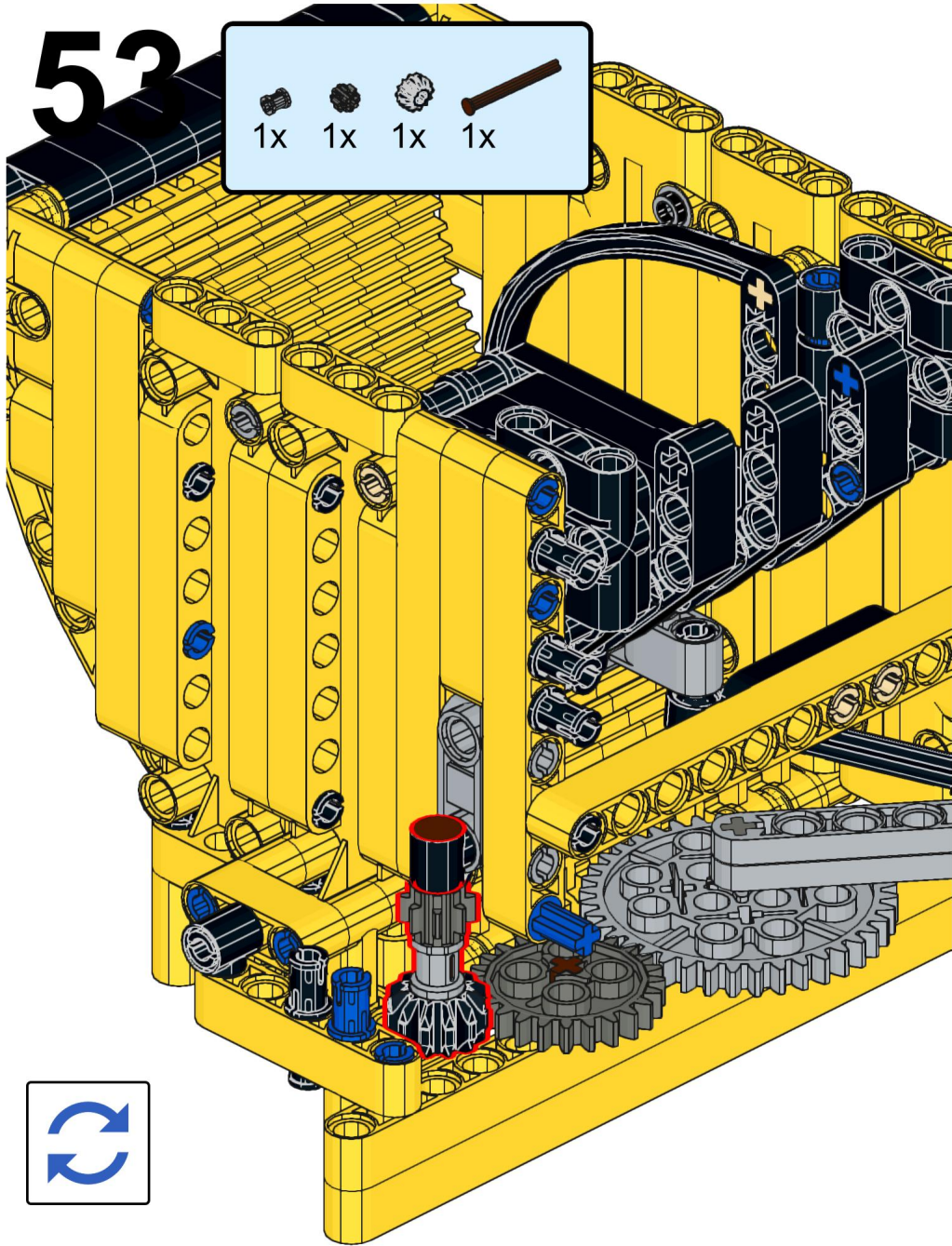
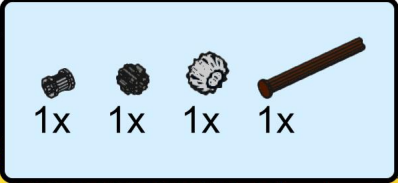


52



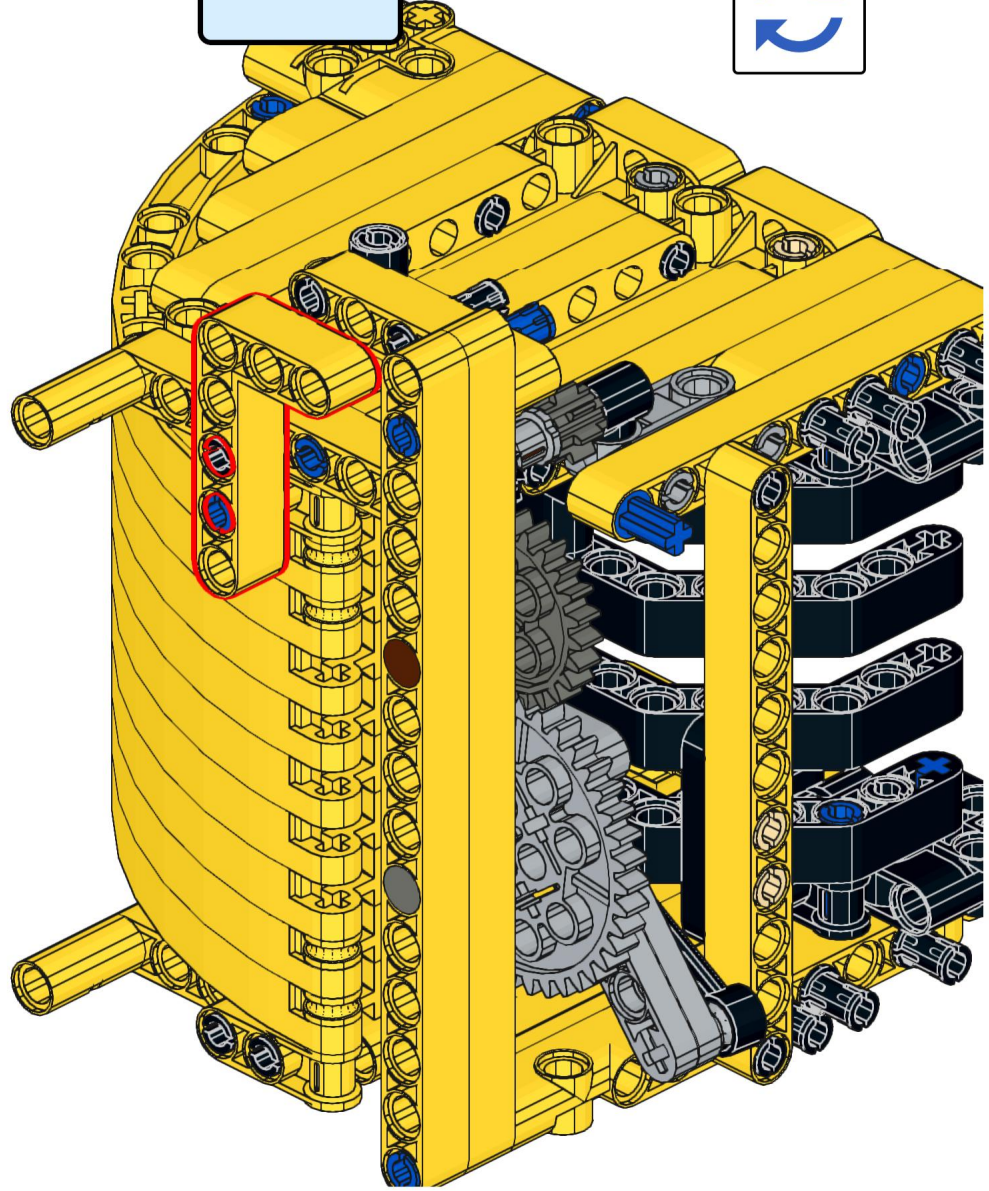
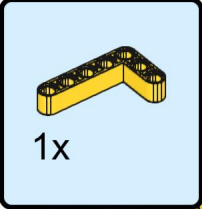
# 53

1x 1x 1x 1x



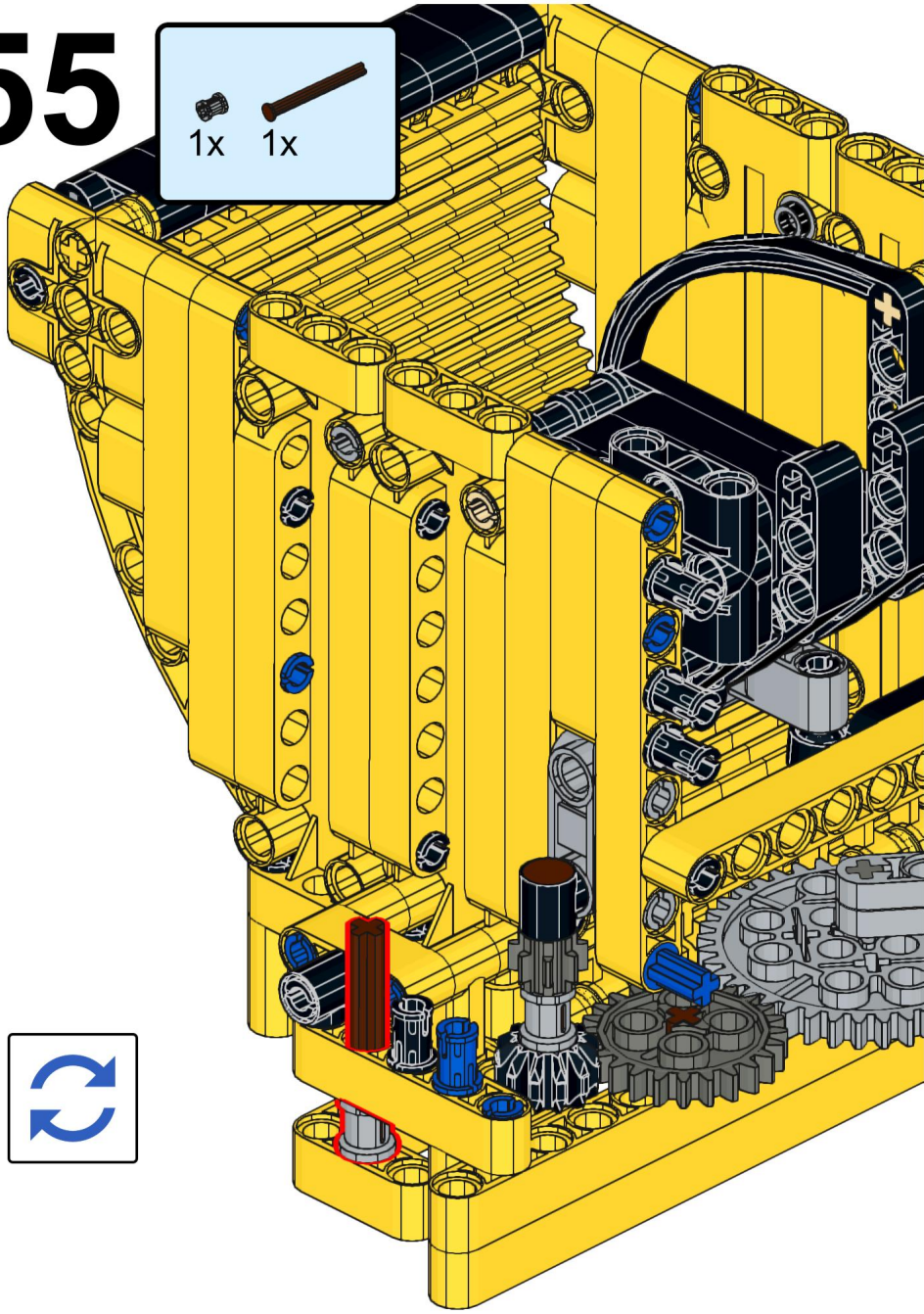
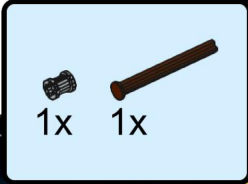
# 54

1x



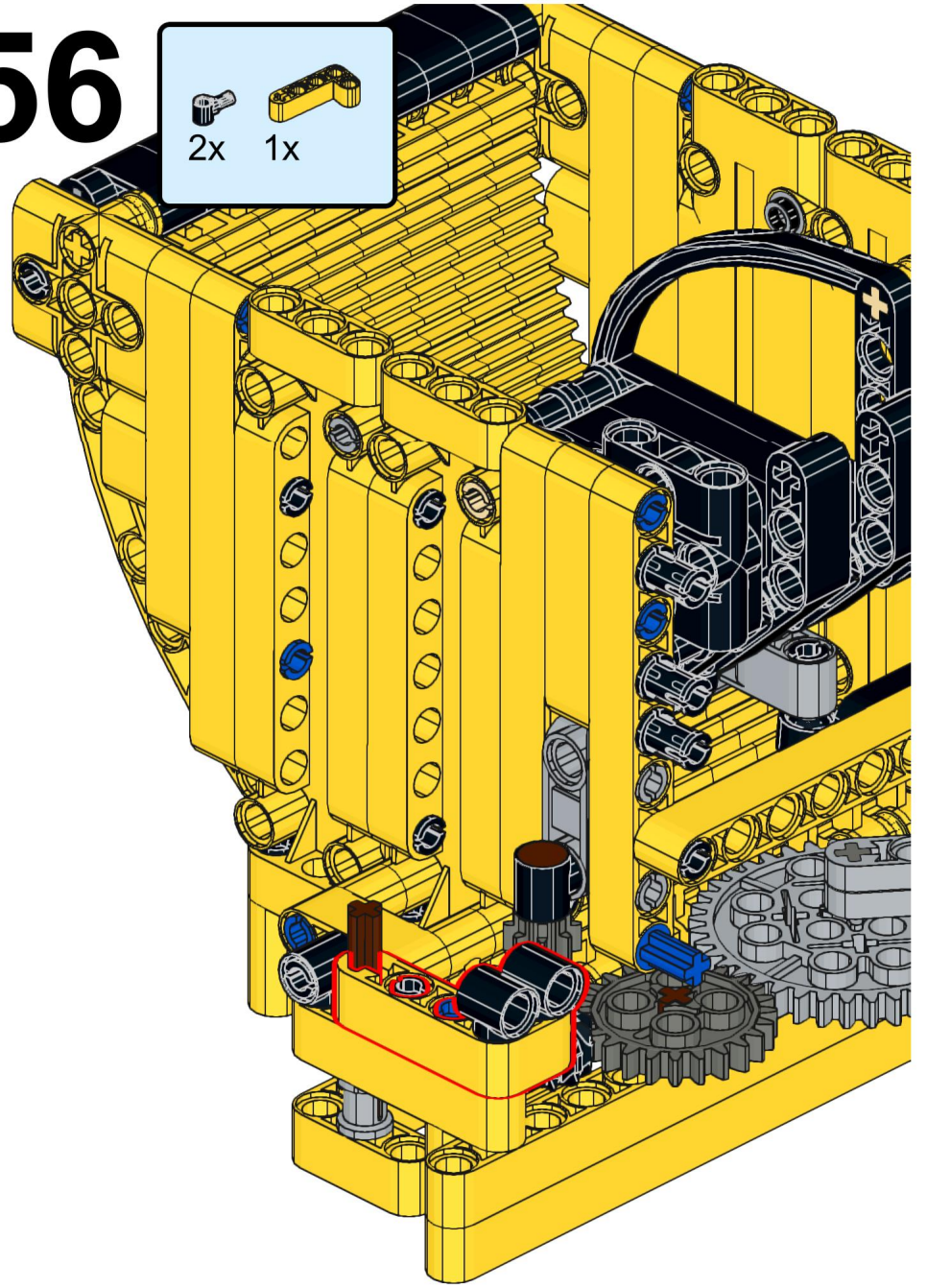
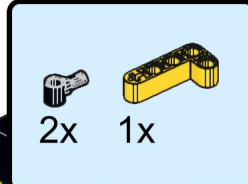
# 55

1x 1x

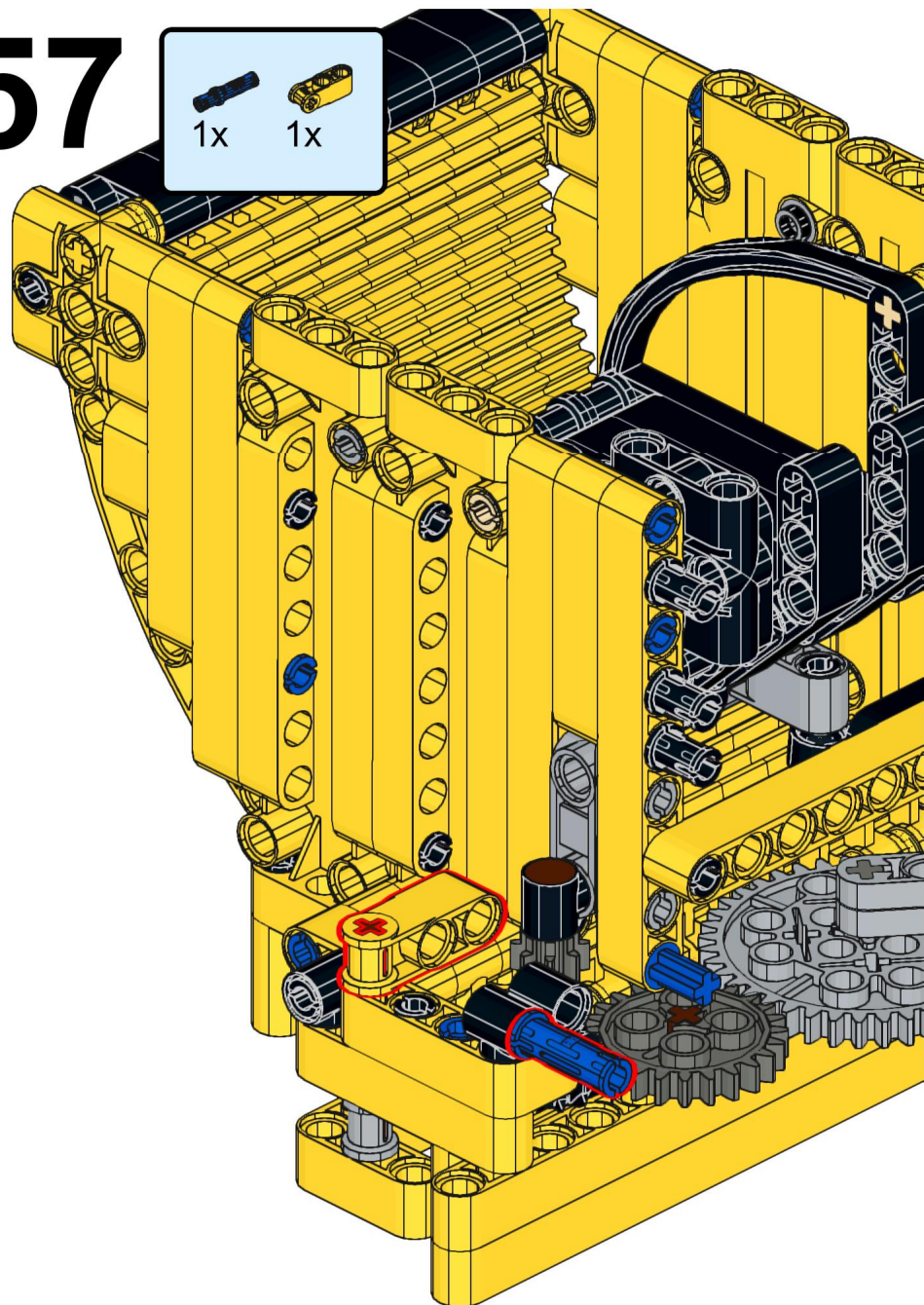
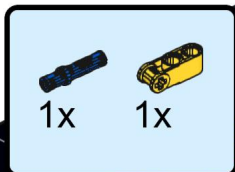


# 56

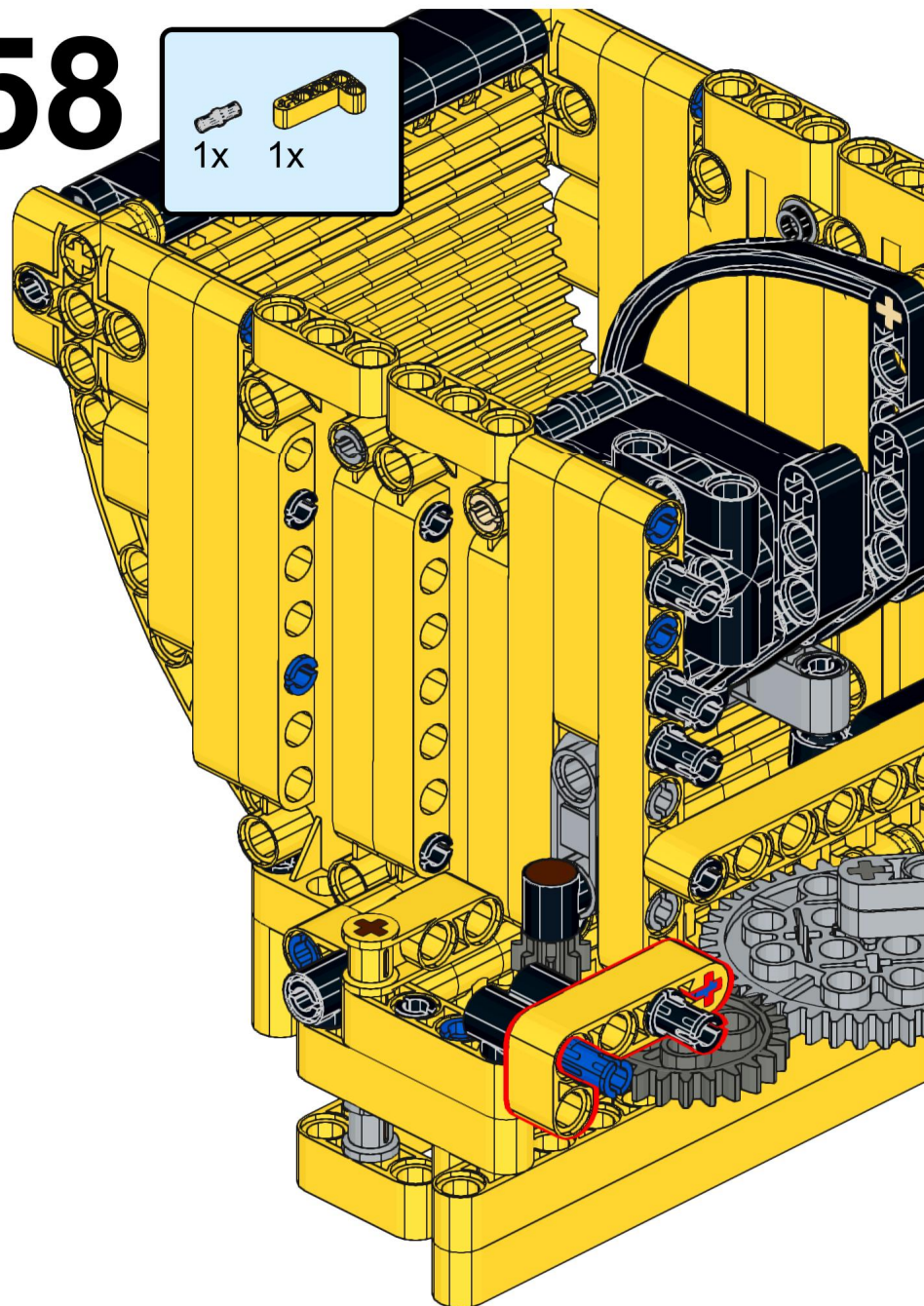
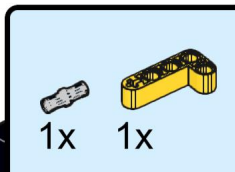
2x 1x



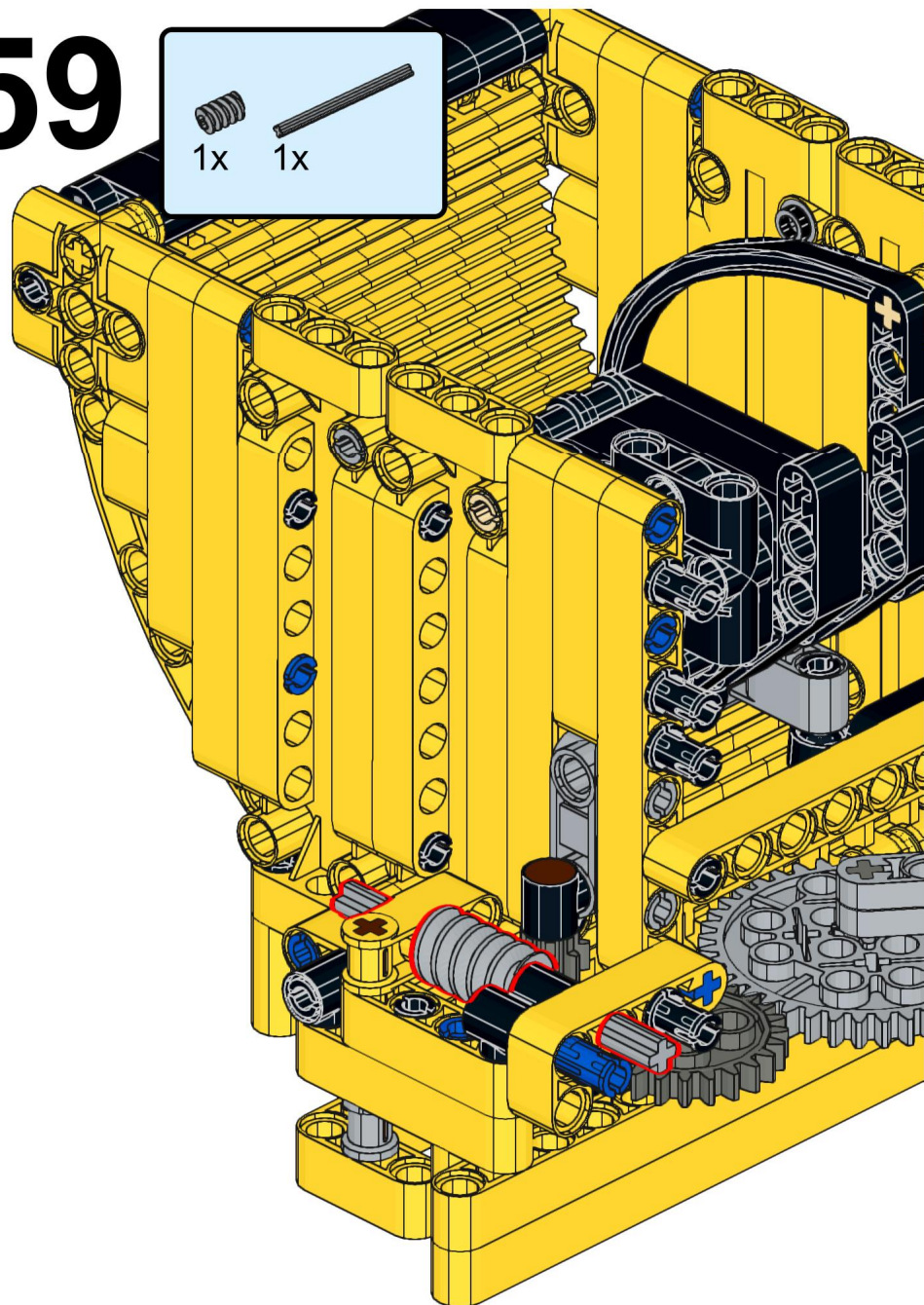
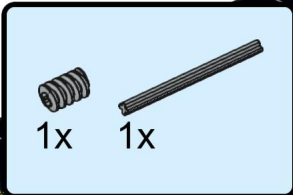
# 57



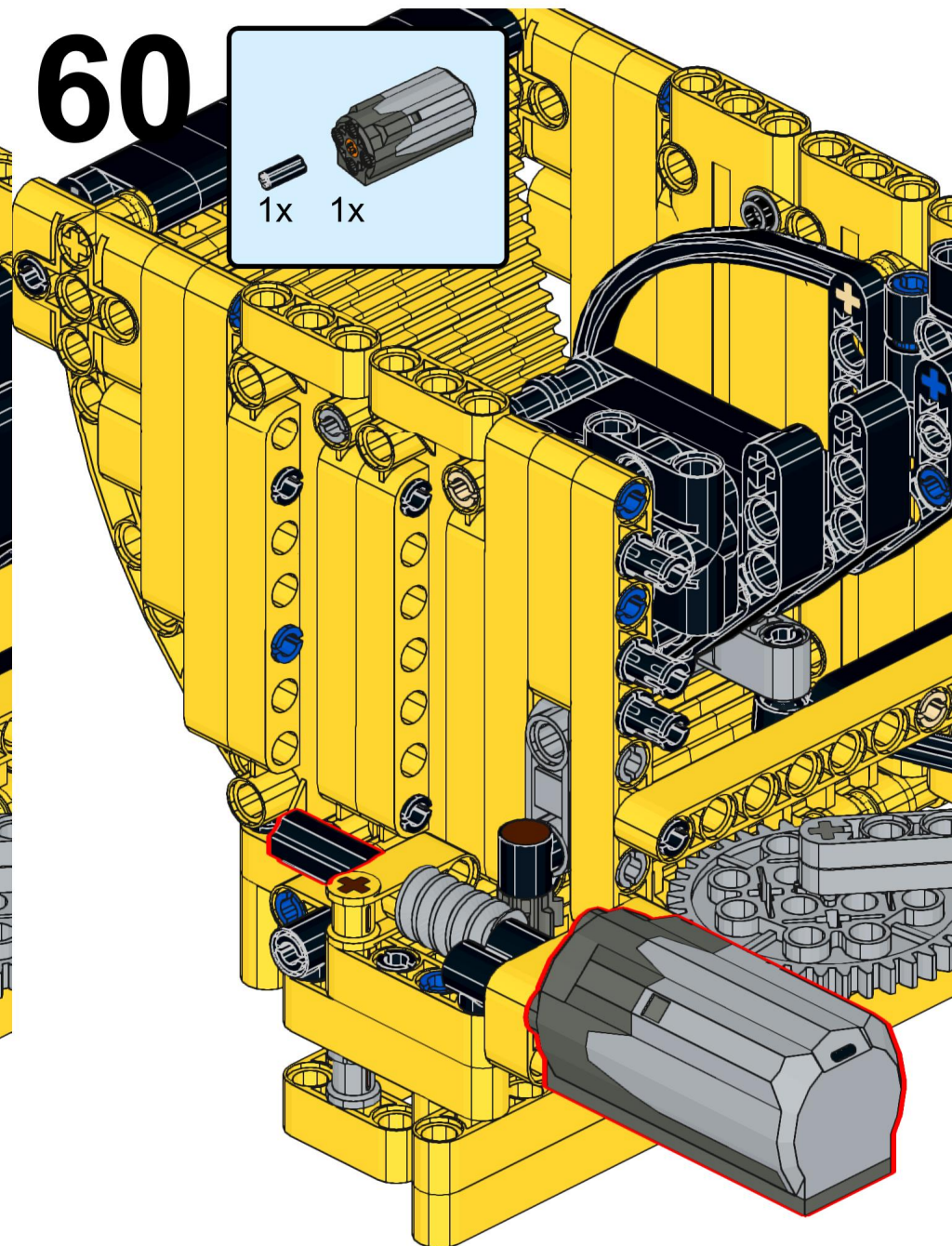
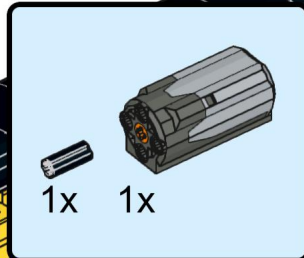
# 58



# 59

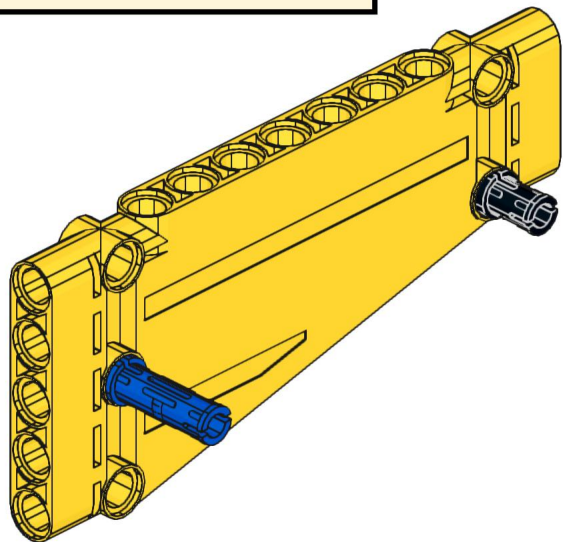
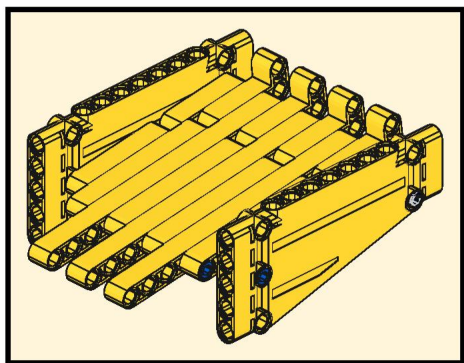
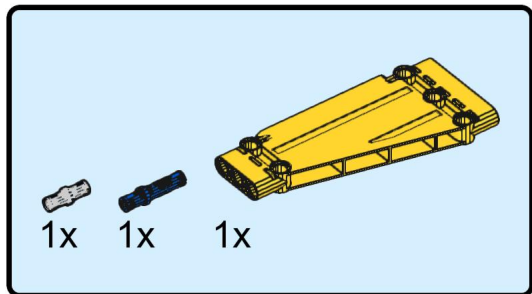


# 60

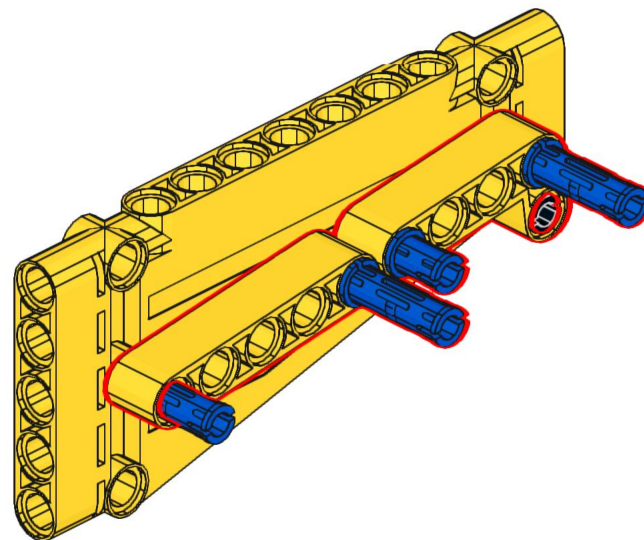
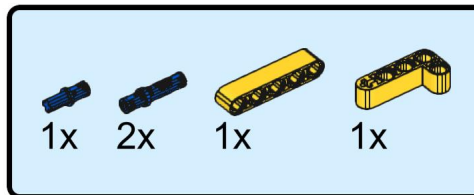




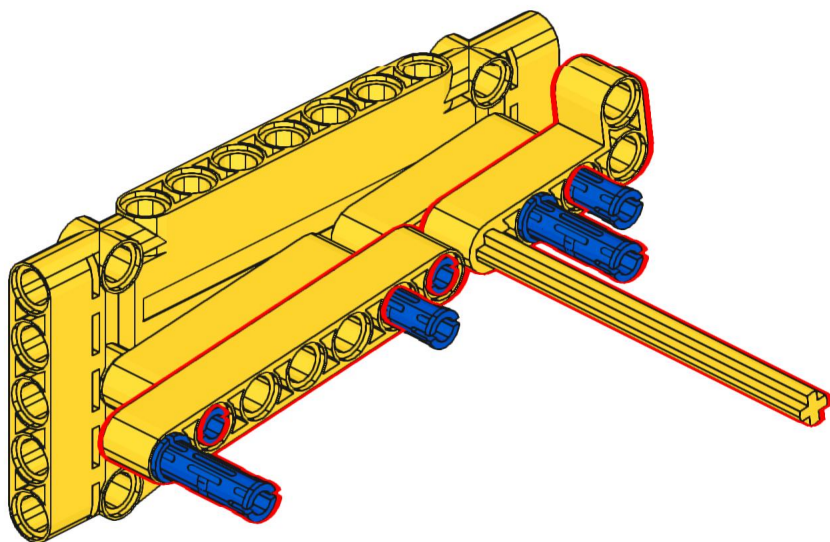
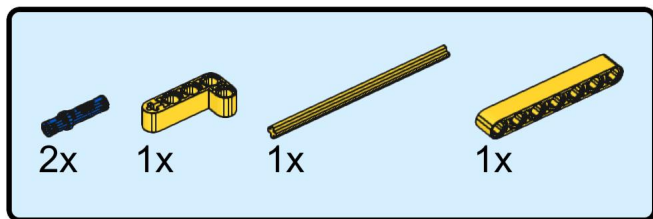
# 61



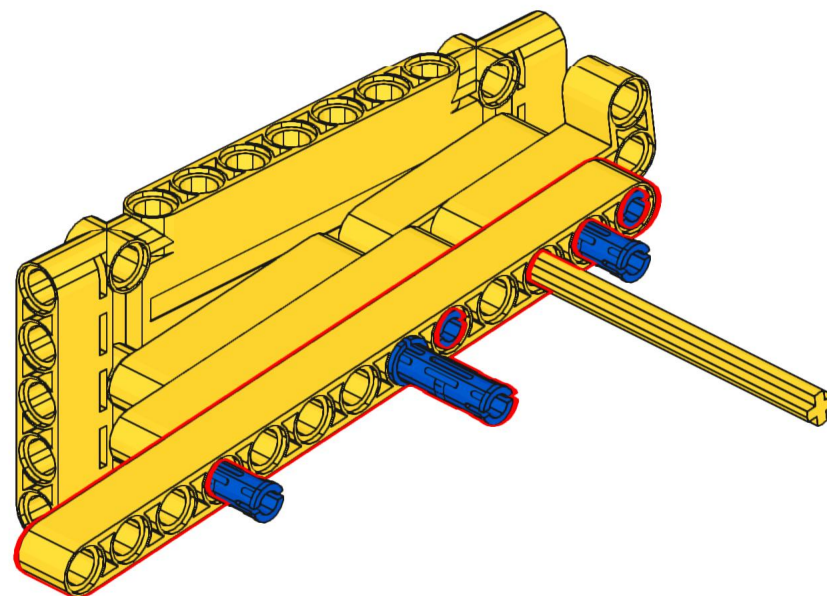
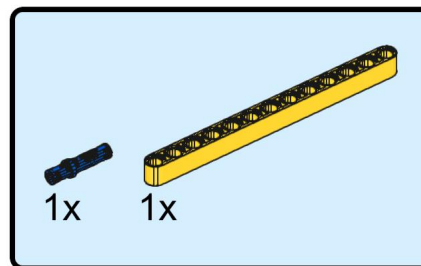
# 62



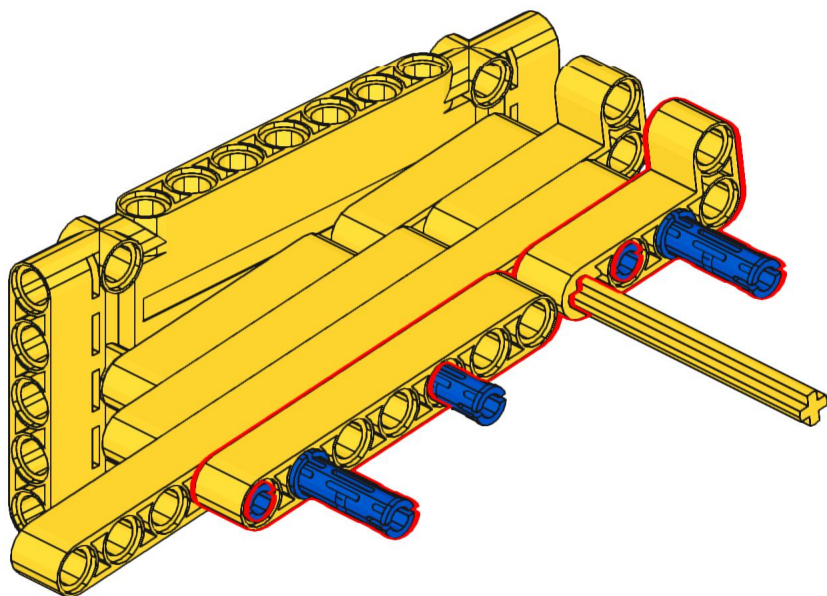
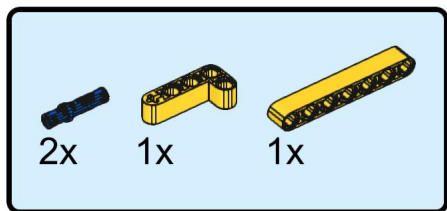
# 63



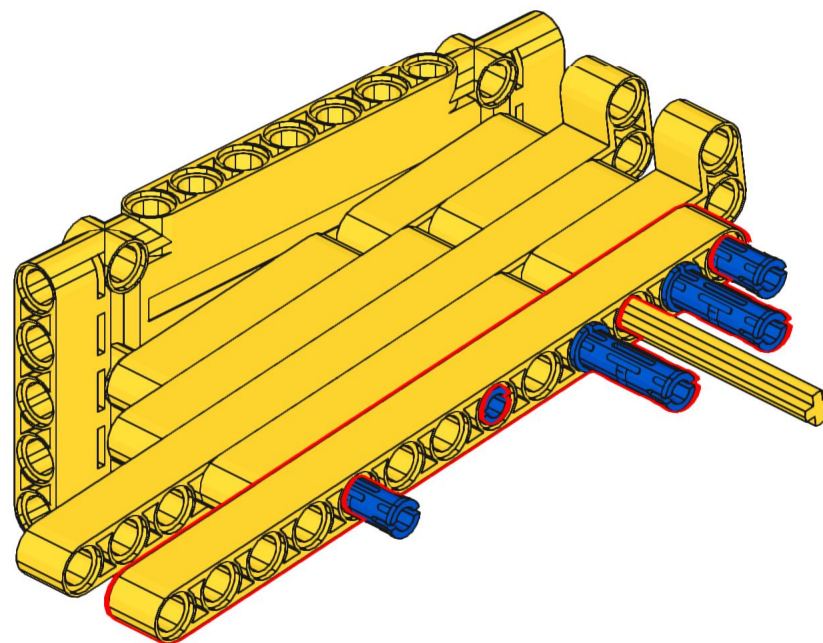
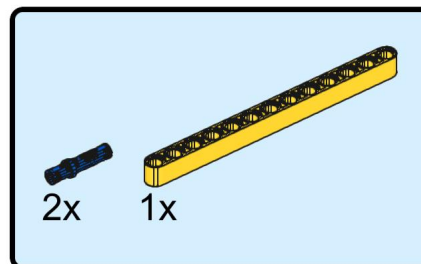
# 64



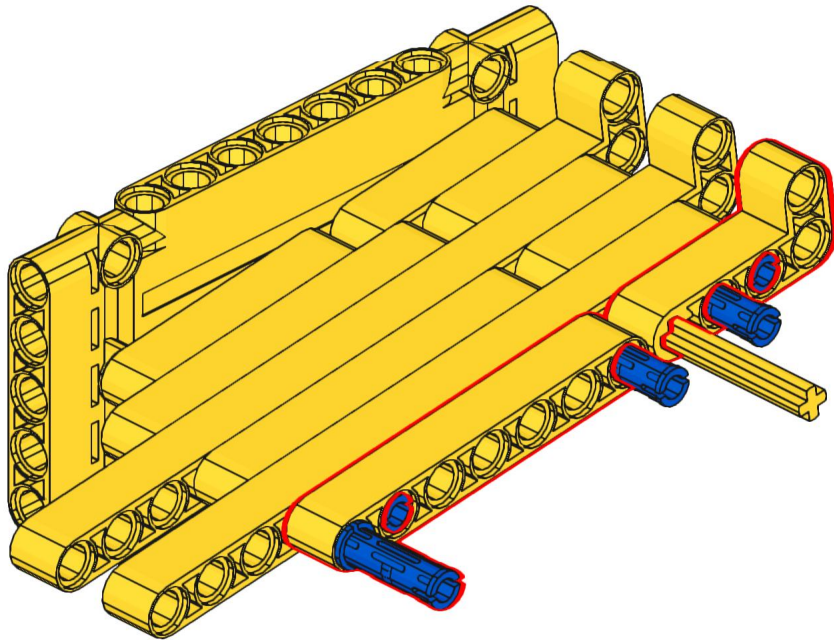
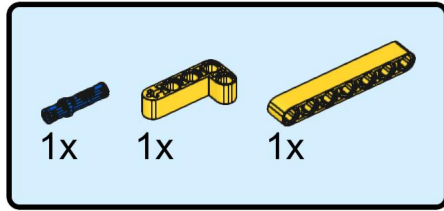
# 65



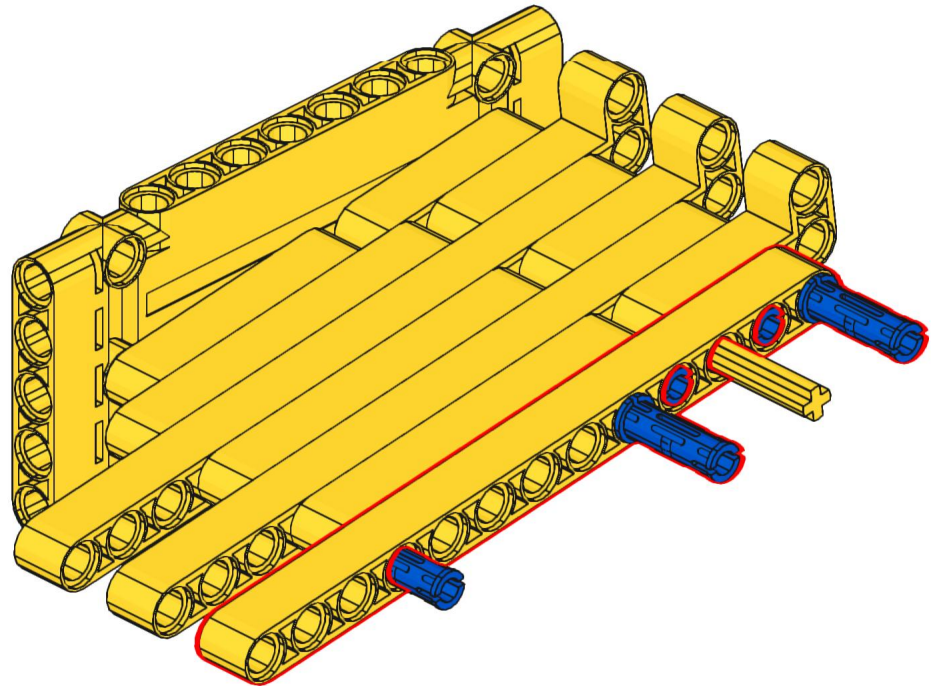
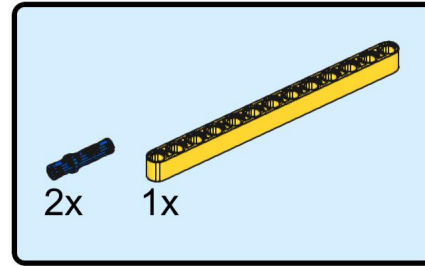
# 66



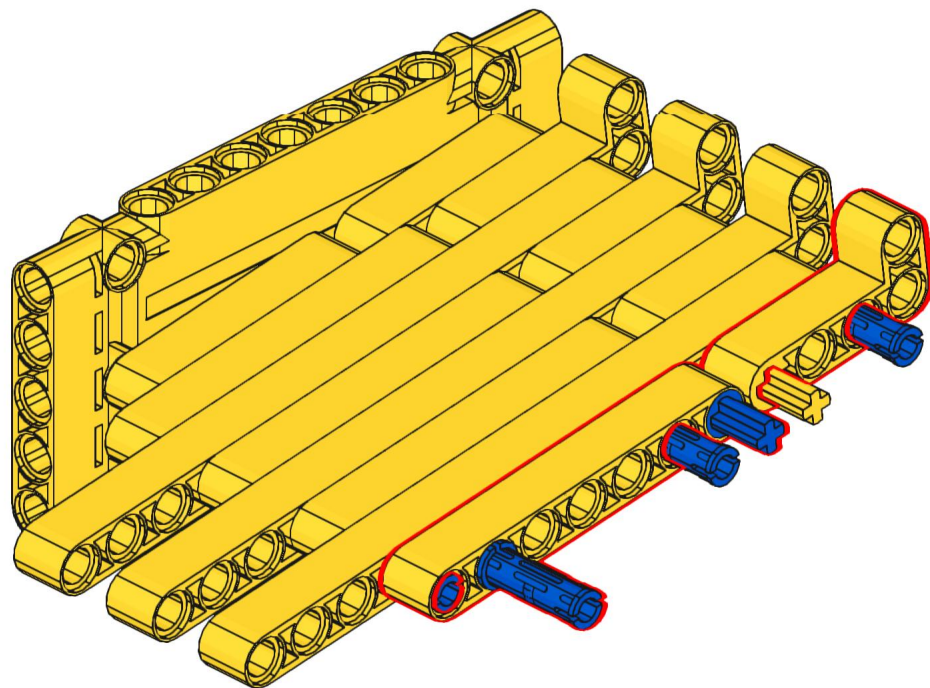
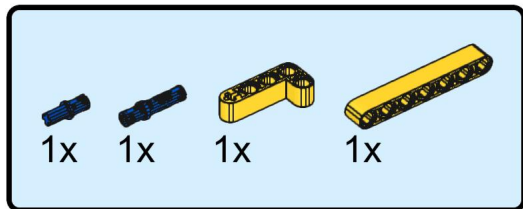
# 67



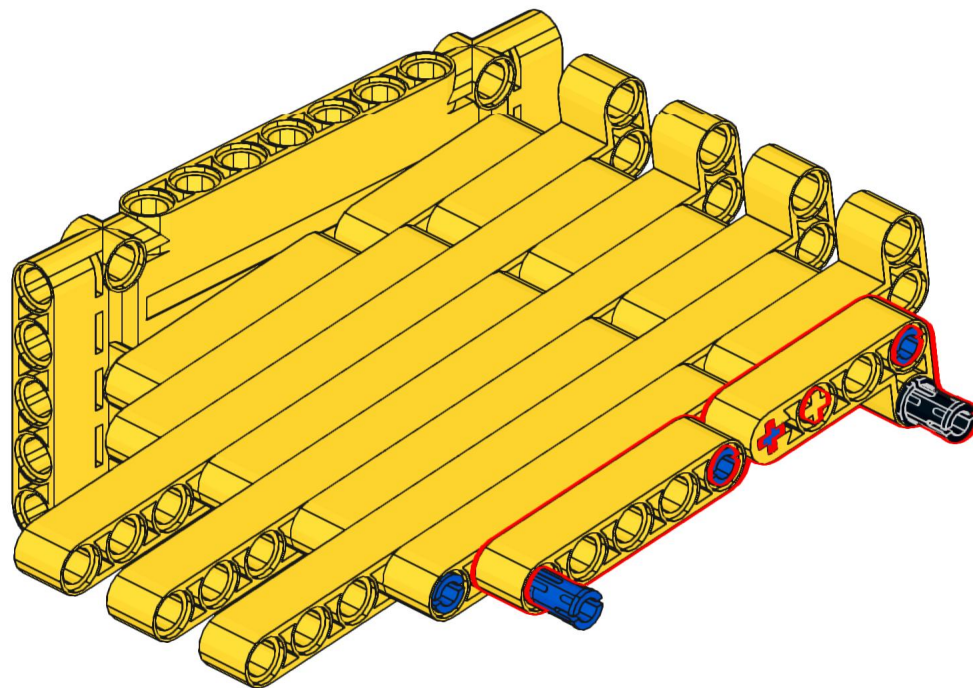
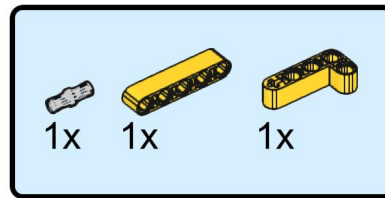
# 68



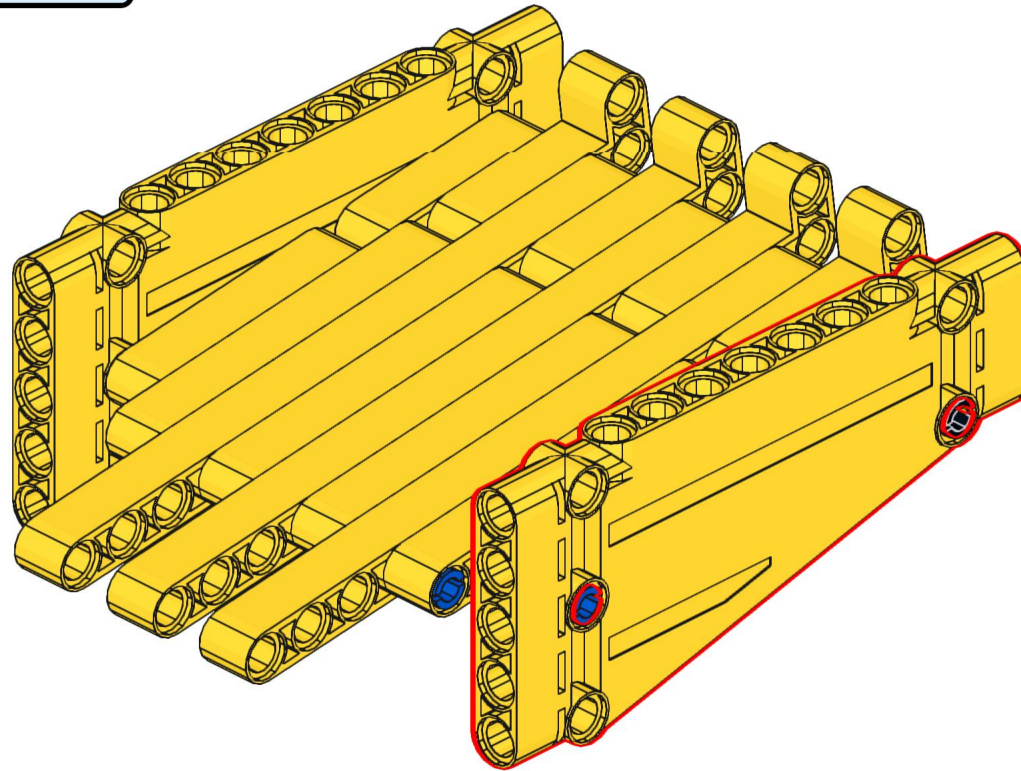
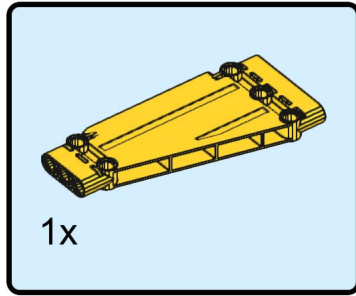
# 69



# 70



# 71



72

